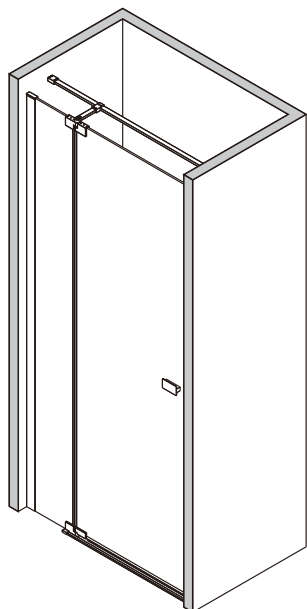
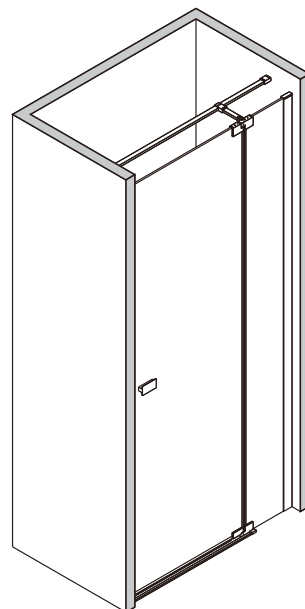


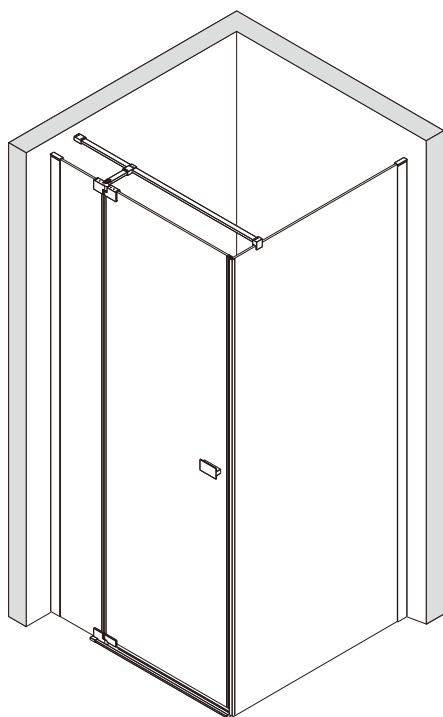
Installation Manual



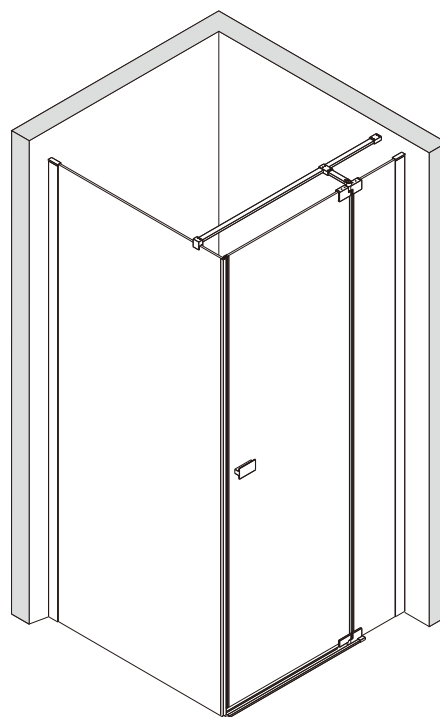
L



R



L



R

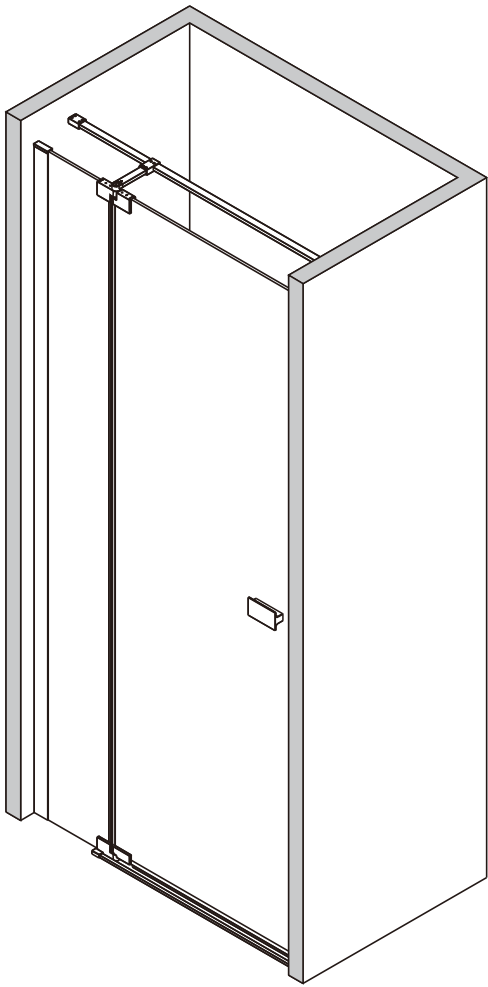
Apply for following models:

**41033/41034/41035/
41036/41037/41038/41164
43015/43016/43017**

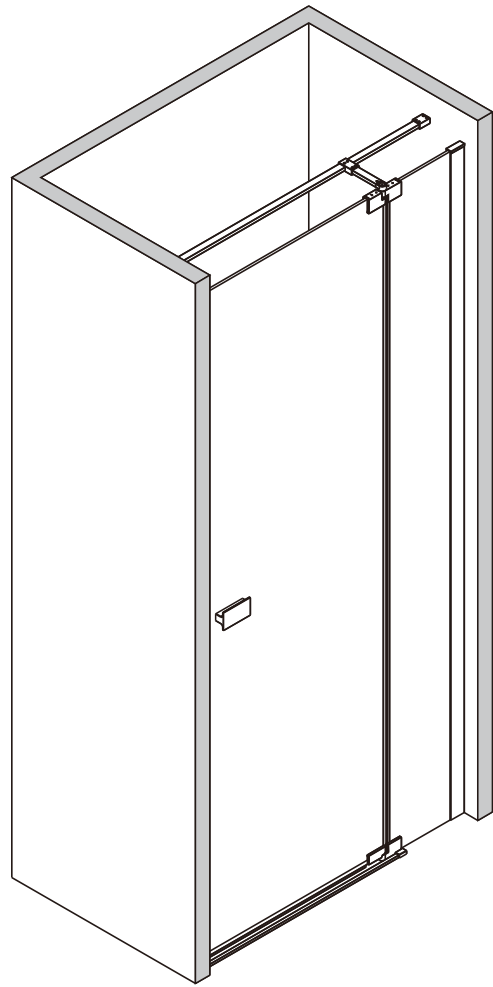
Please keep this page for your online registration.

No. FIENSEB05V5.0





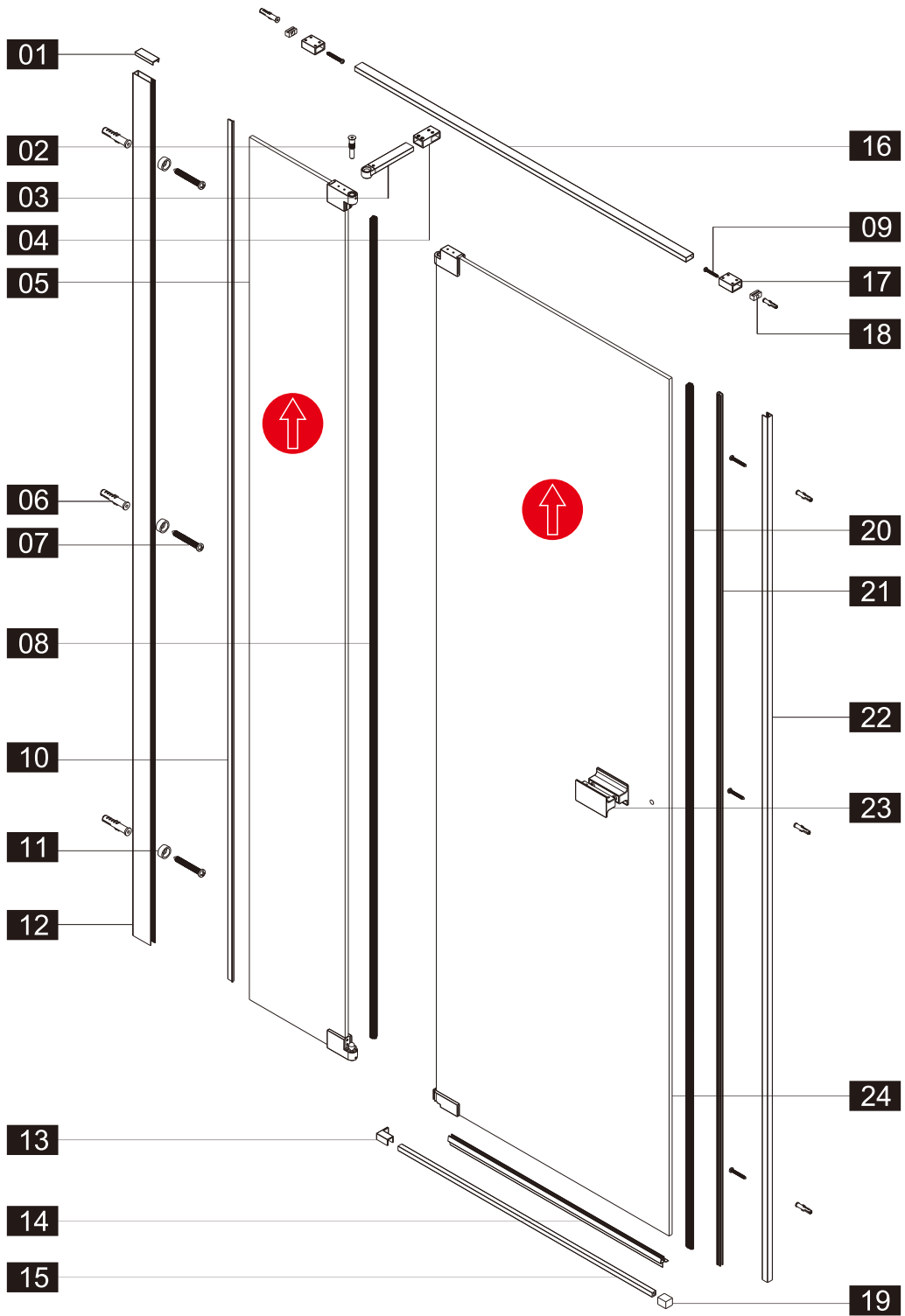
L



R

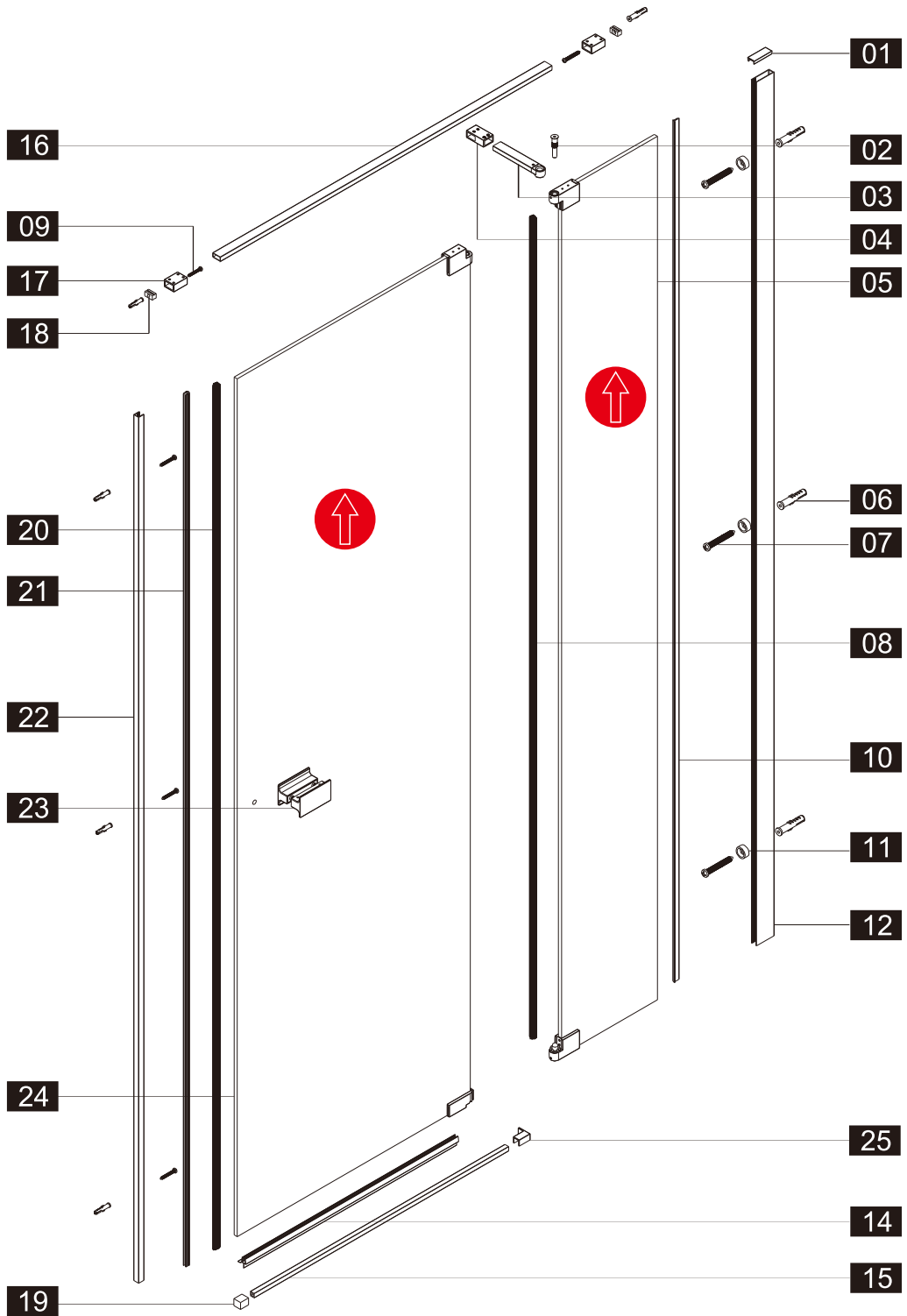
41033	760
41034	800
41035	900
41036	1000
41037	1100
41038	1200
41164	1400

L



- 2.0mm 26
- 2.5mm 27
- 4.0mm 28
- 29

R

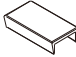

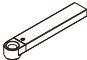
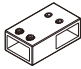







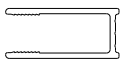

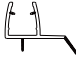
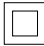

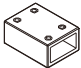
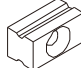



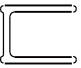
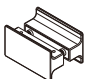


- 26 — 2.0mm
- 27 — 2.5mm
- 28 — 4.0mm
- 29 —


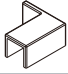




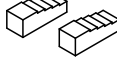


Attention:Before installation, please check whether the number and type of accessories are correct, and then install them. If there is any problem,please inform us as soon as possible. Thank you!

Parts List

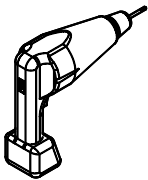
Part Number	Image	Size(mm)	Quantity	Remark
01			1	
02			1	
03			1	
04			1	
05			1	
06			8	
07		ST4X40	6	
08		1886	1	Seal
09		ST4X35	2	
10		1900	1	Seal
11			3	
12		1900	1	Aluminum profile
13			1	L Side
14			1	Seal
15			1	Aluminum profile
16			1	Aluminum profile
17			2	
18				
19			1	
20		1820	1	Seal
21		1900	1	Seal
22		1900	1	Aluminum profile
23			1	

Parts List

Part Number	Image	Size(mm)	Quantity	Remark
24			1	
25			1	R Side
26		2.0mm	1	
27		2.5mm	1	
28		4.0mm	1	
29			1	
37			2	

You will need

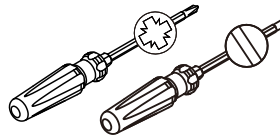
To assemble your product (Tools not provided).



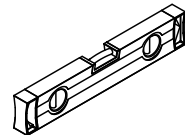
Drill



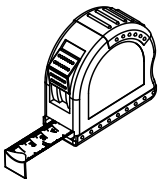
Drill Bit



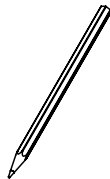
Screw Driver



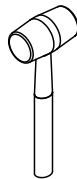
Level



Tape Measure



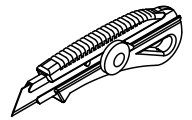
Pencil



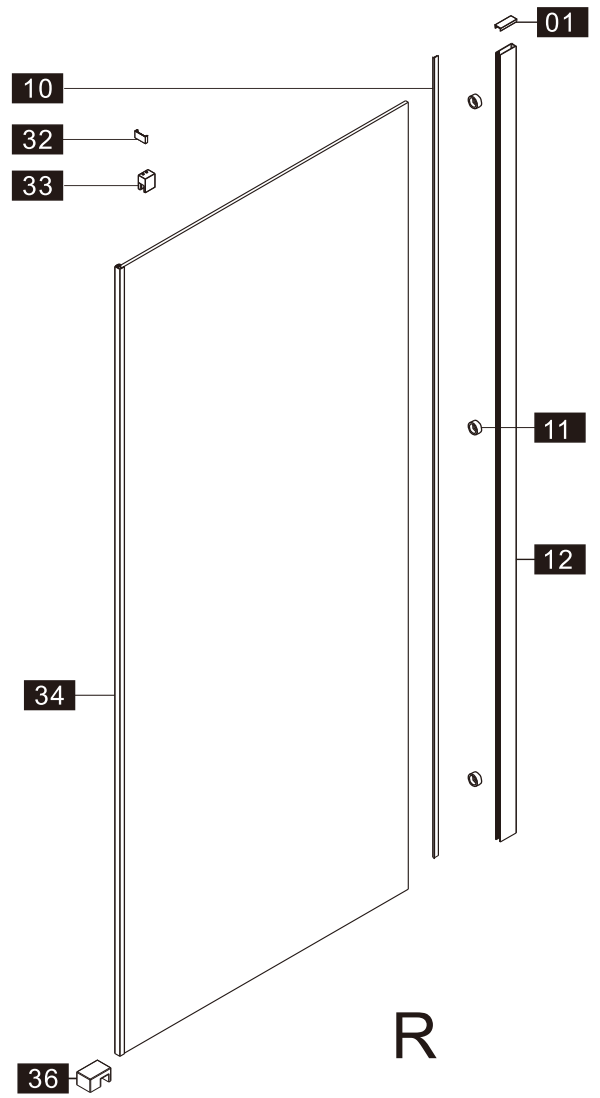
Mallet



Silicon Gun



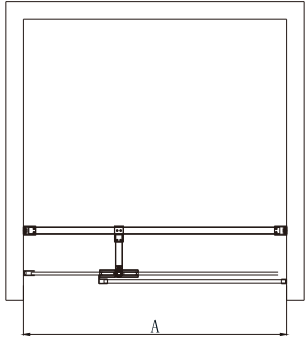
Craft Knife



Parts List

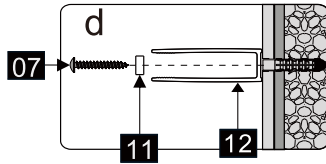
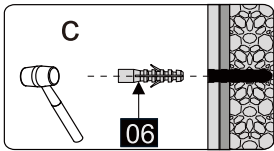
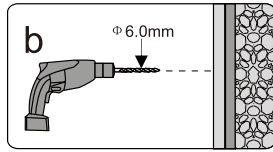
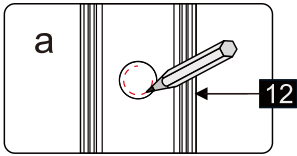
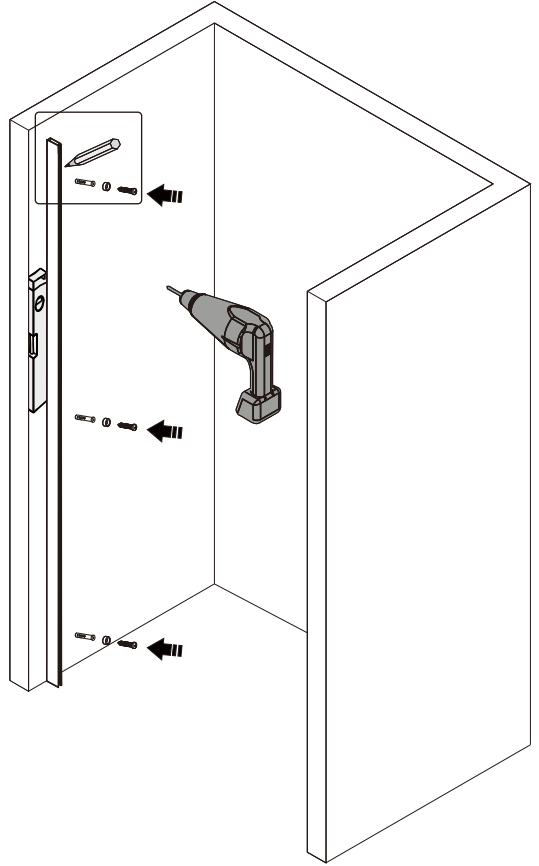
Part Number	Image	Size(mm)	Quantity	Remark
10		1900	1	Seal
32			1	
33			1	
01			1	
34			1	
11			3	
35			1	L Side
36			1	R Side
12		1900	1	Aluminum profile

01

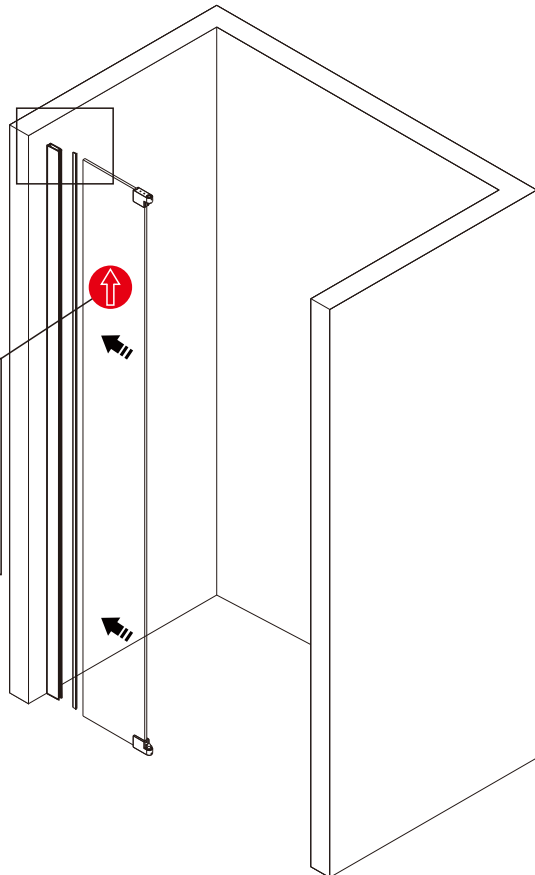
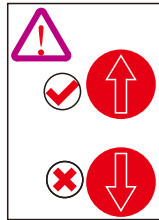
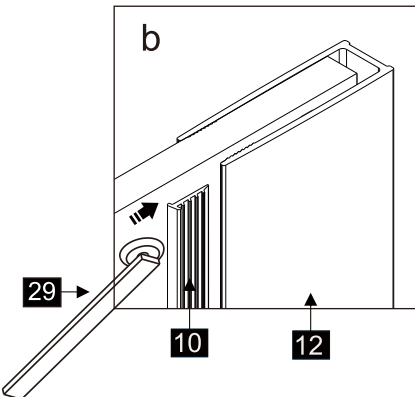
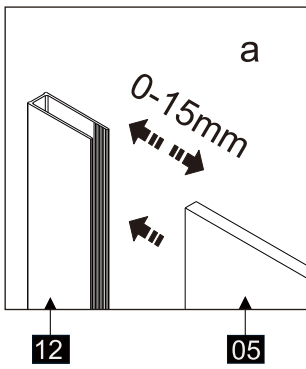


SIZE	A
41033	735~750
41034	775~790
41035	875~890
41036	975~990
41037	1075~1090
41038	1175~1190
41164	1375~1390

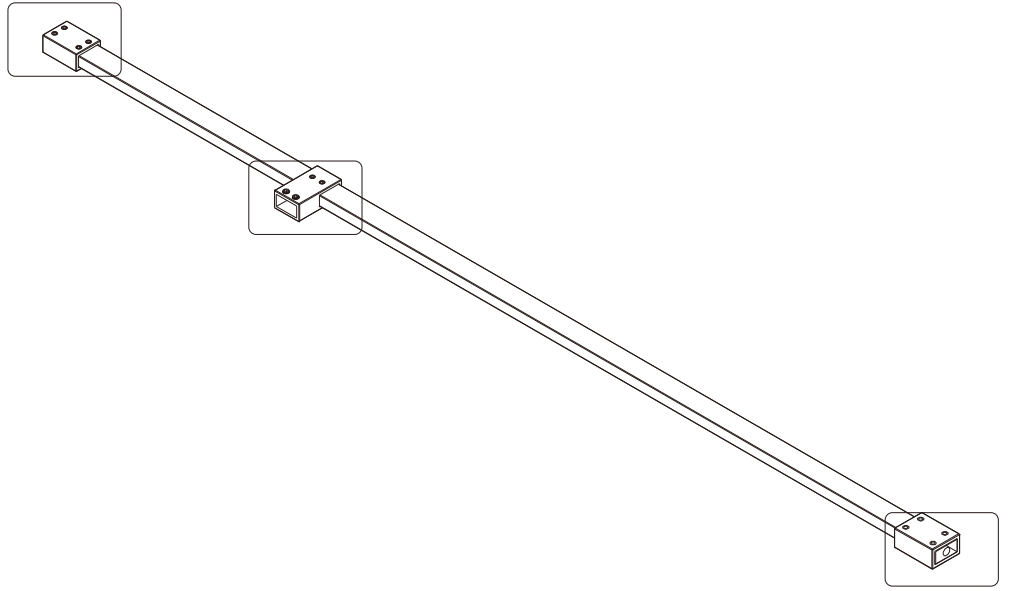
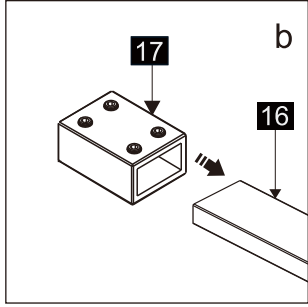
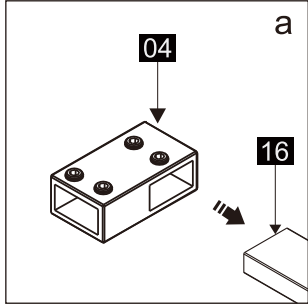
Note:
In consideration of the influence of walls and tiles, the actual installation size will be smaller than the size declared on the website, but it will not affect the normal usage. The adjustment shall be subject to the manual instructions.



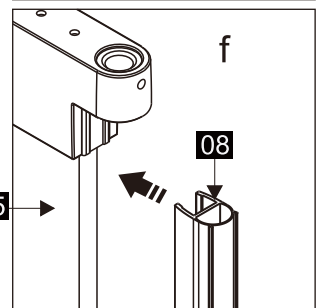
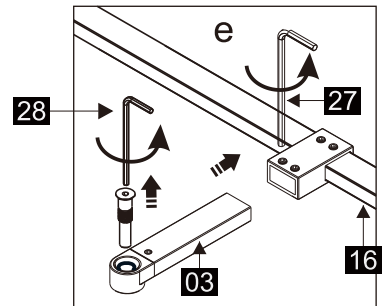
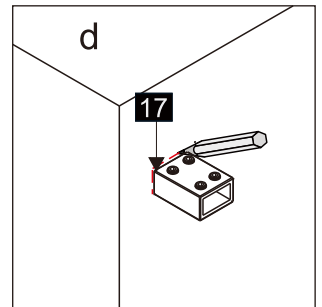
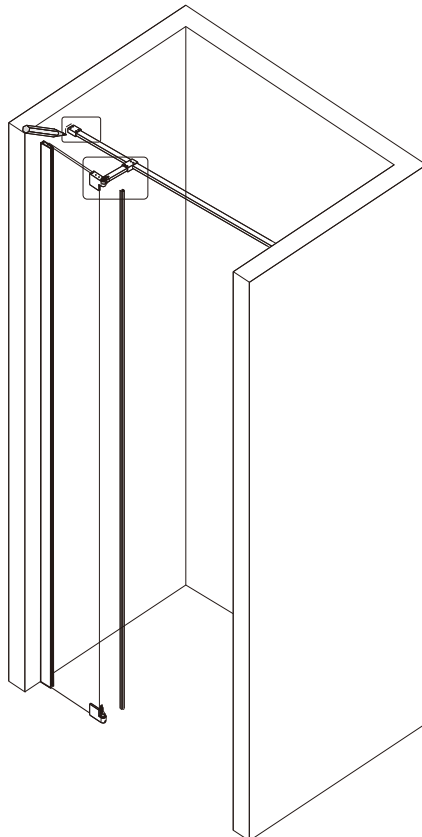
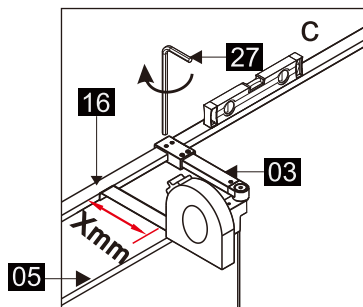
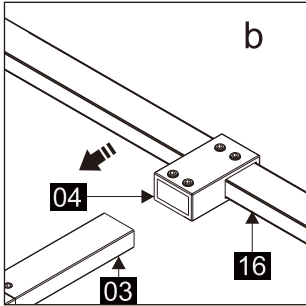
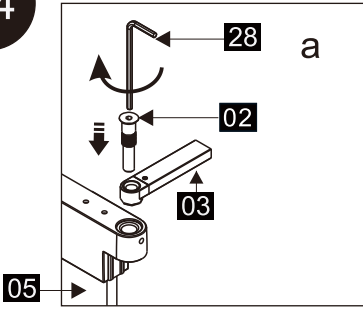
02



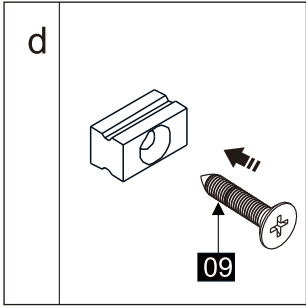
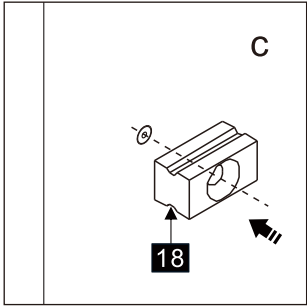
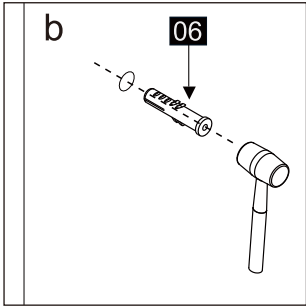
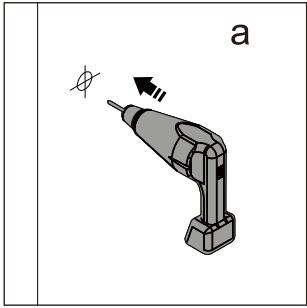
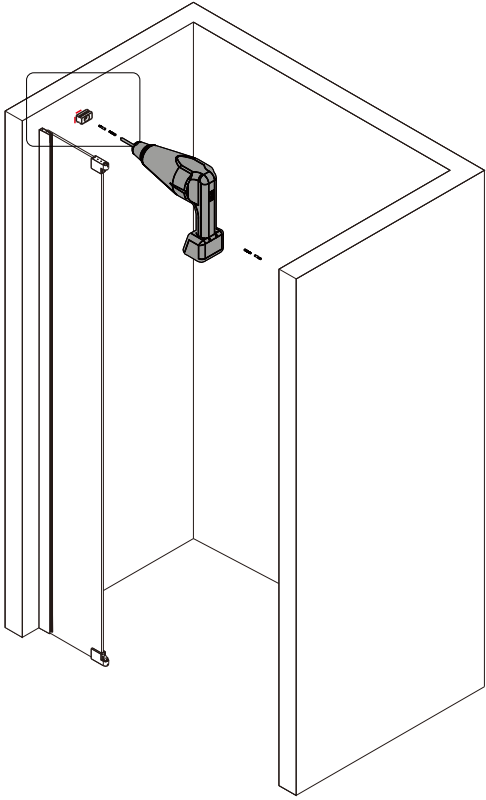
03



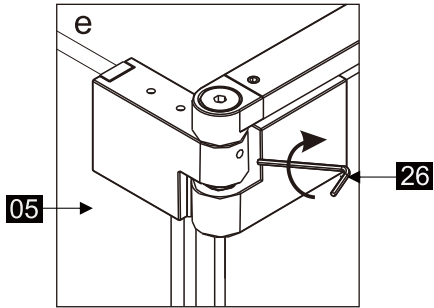
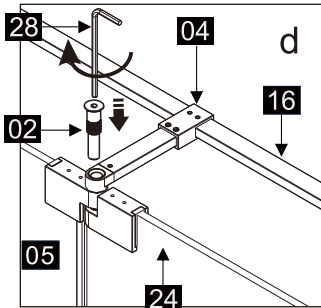
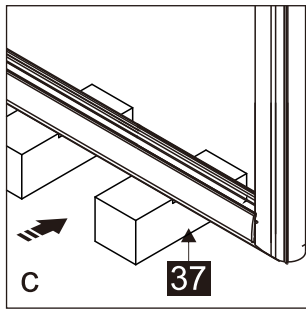
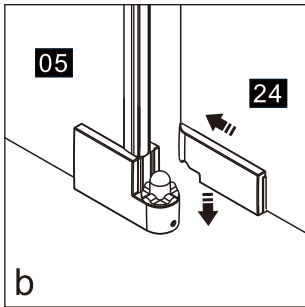
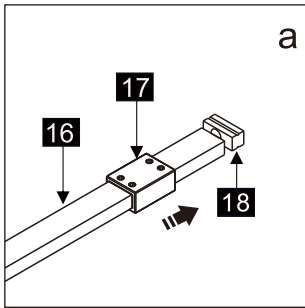
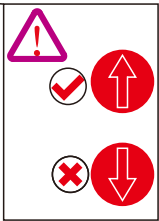
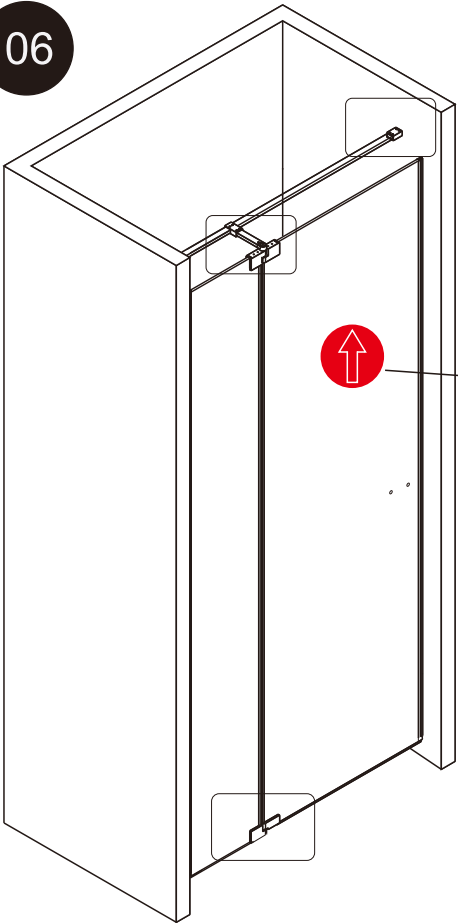
04



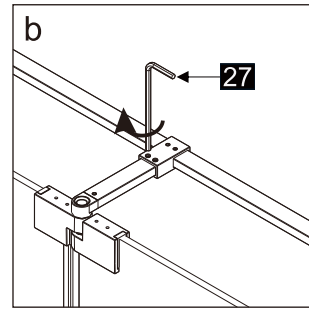
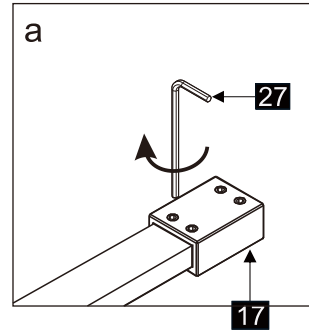
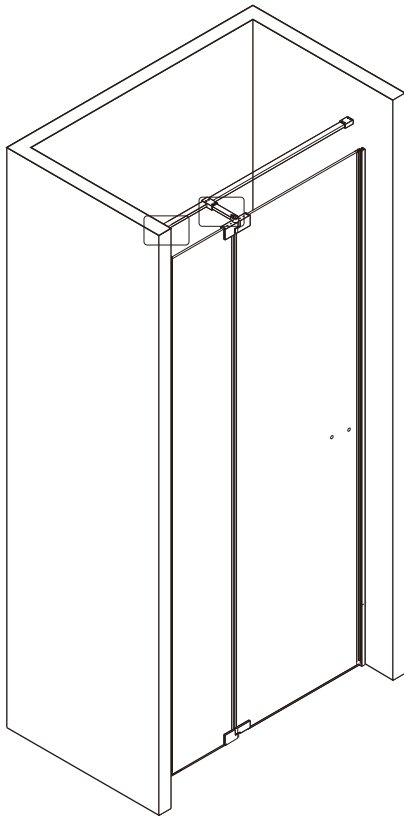
05



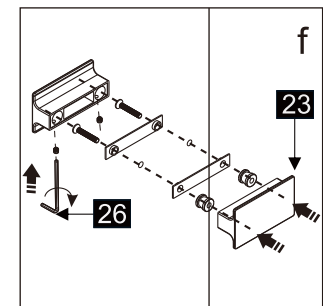
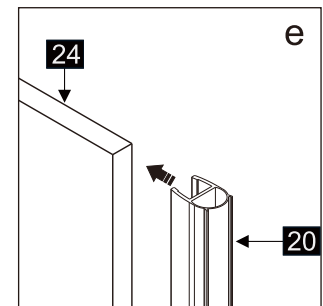
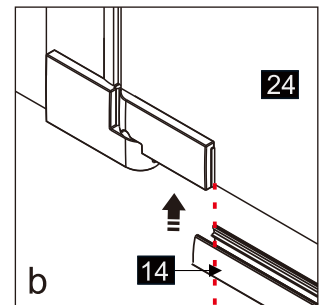
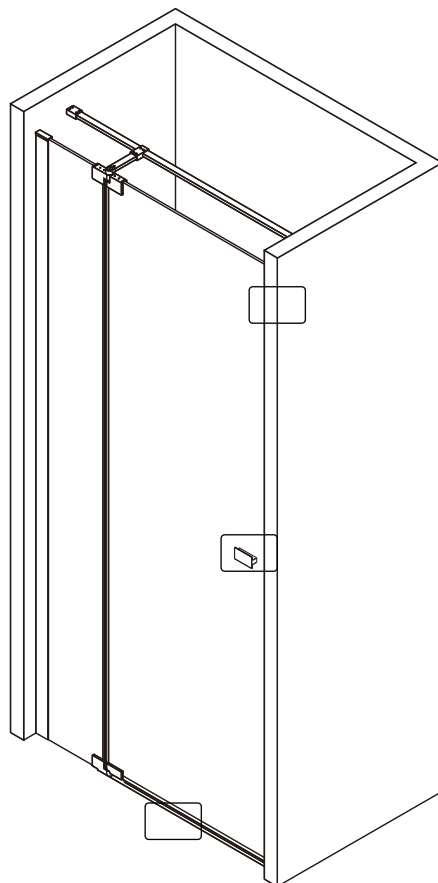
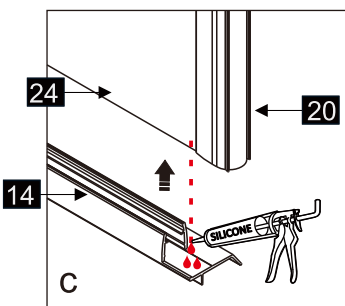
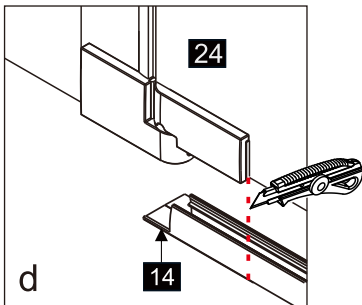
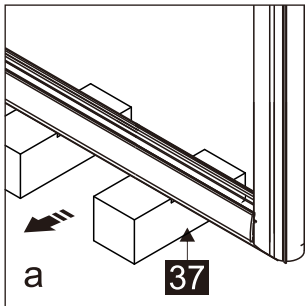
06



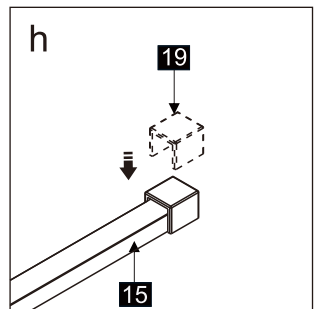
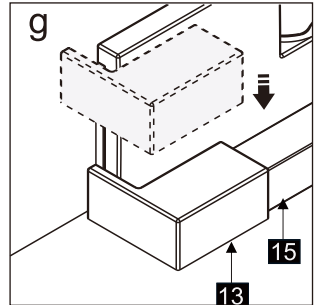
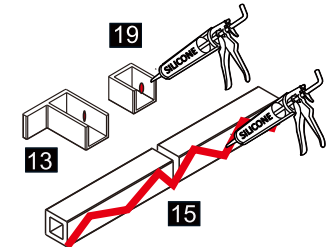
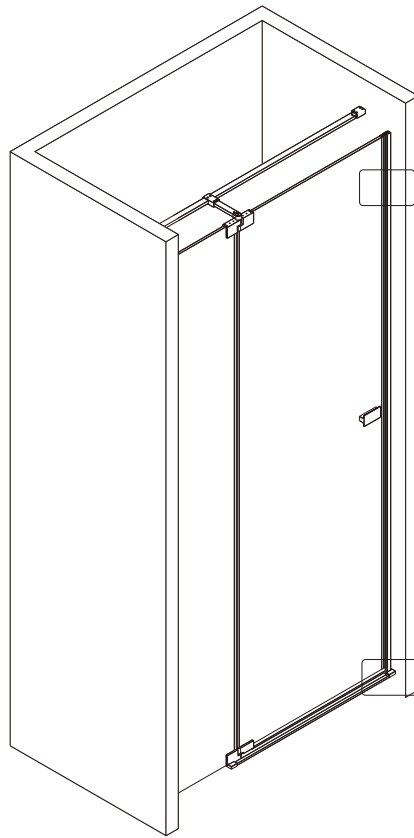
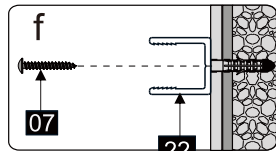
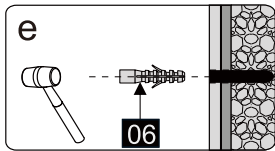
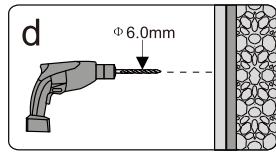
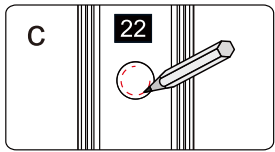
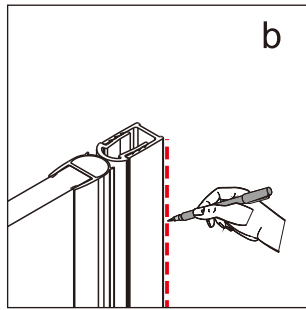
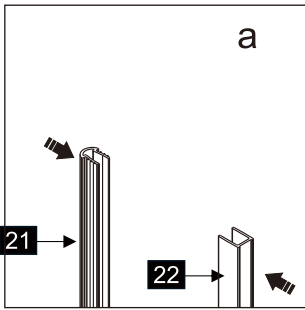
07



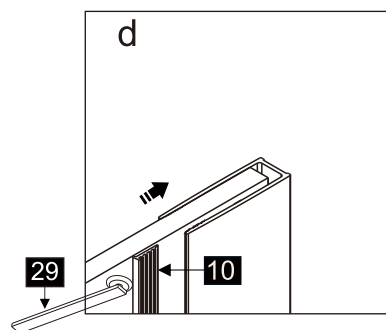
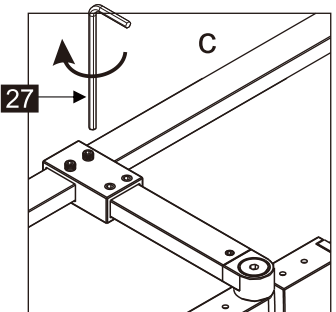
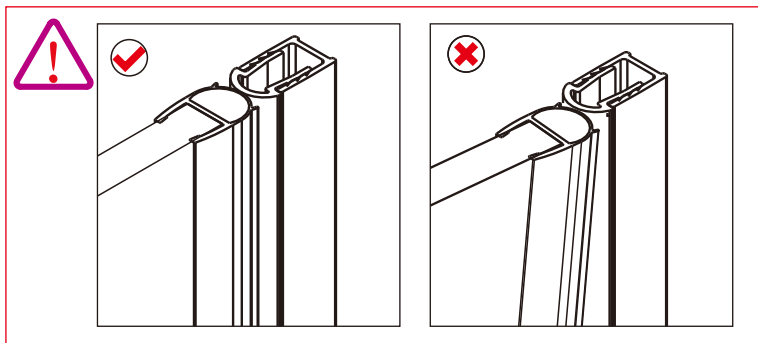
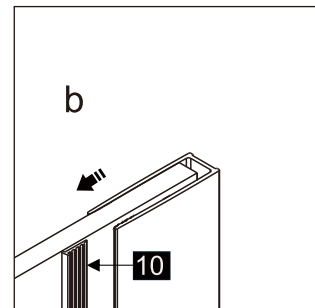
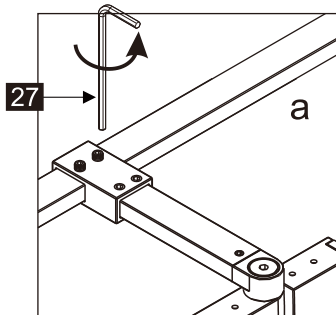
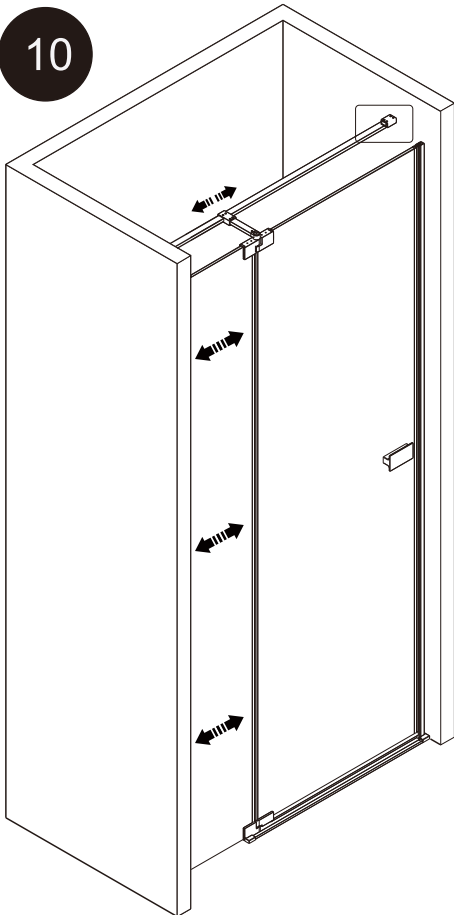
08

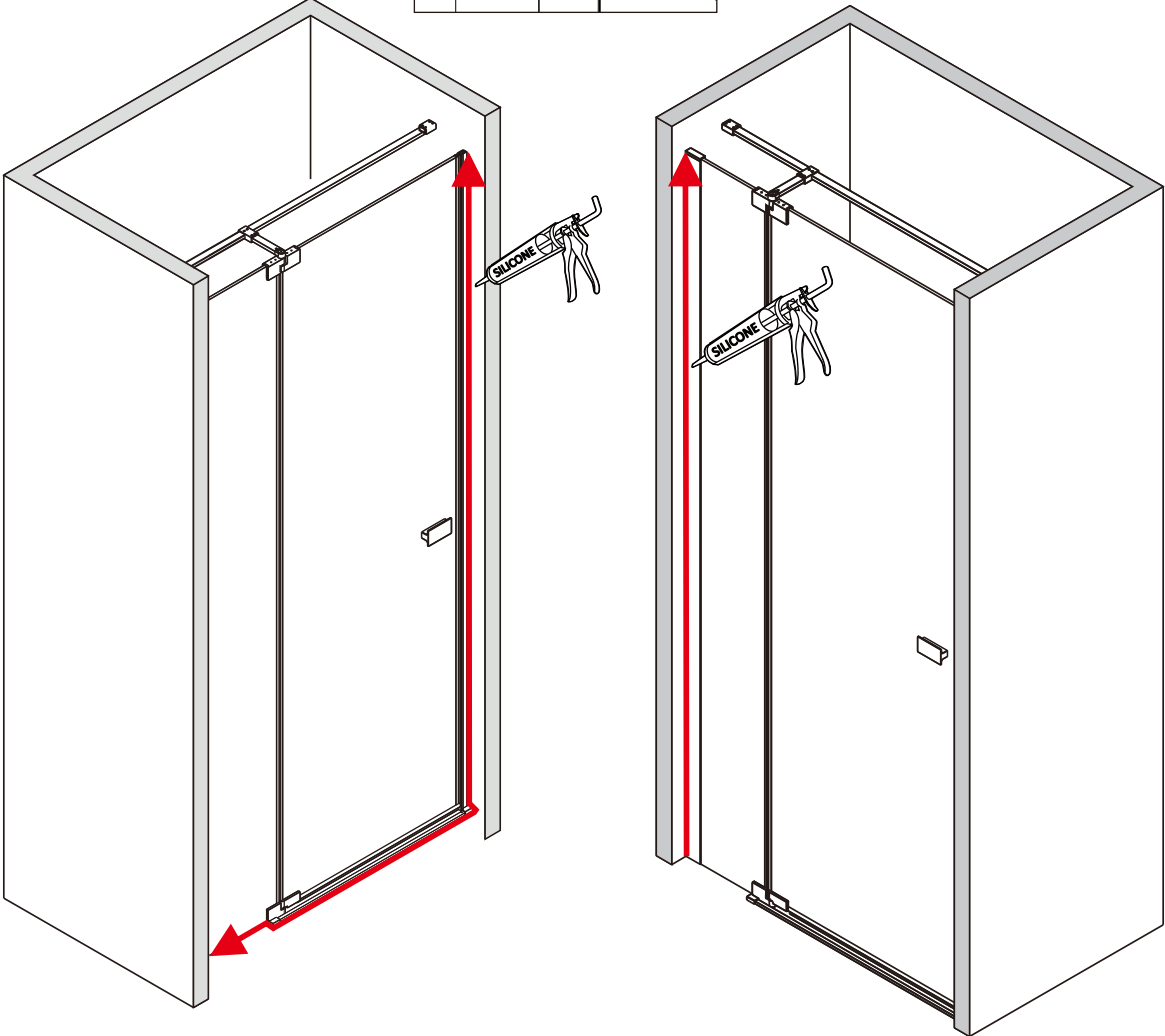
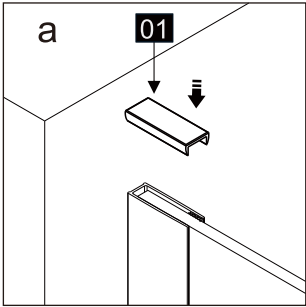


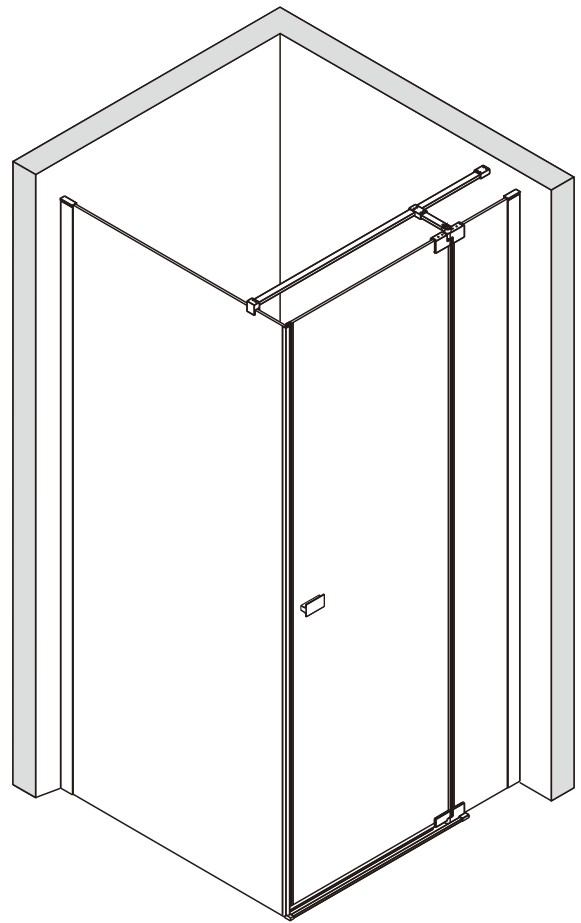
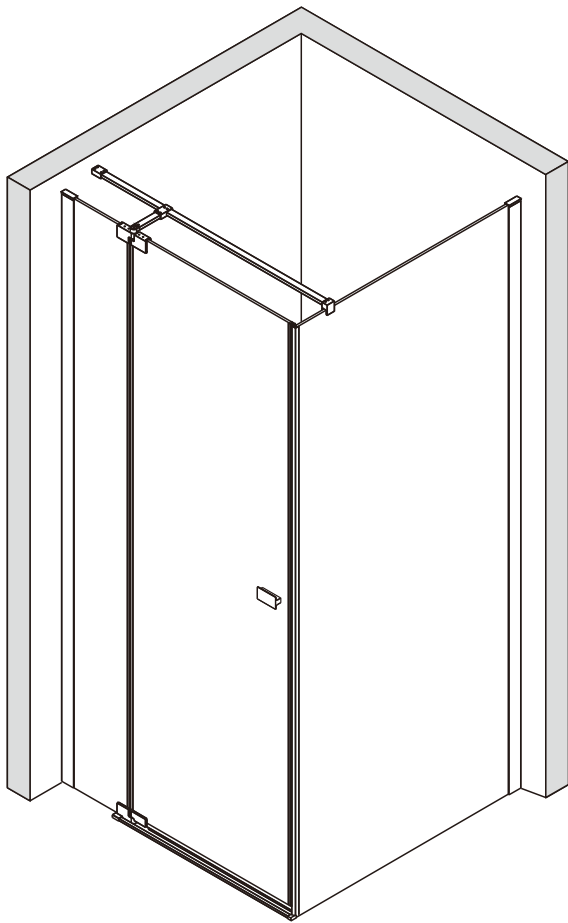
09



10







L

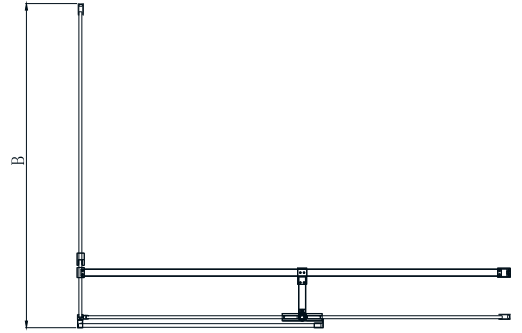
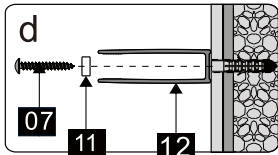
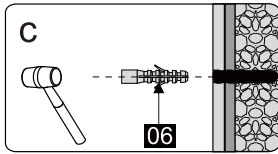
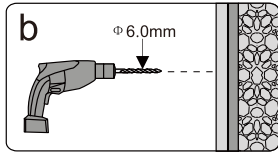
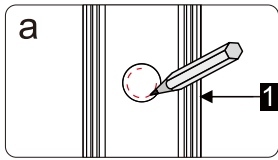
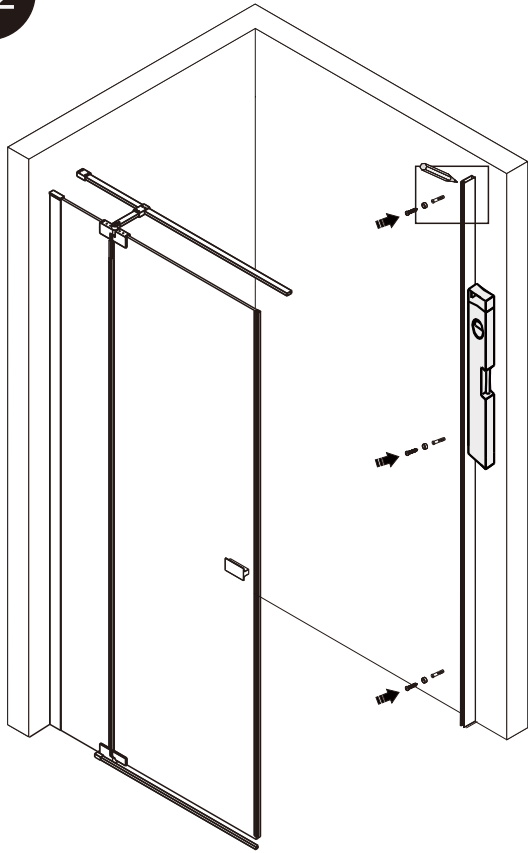
R

41033	760
41034	800
41035	900
41036	1000
41037	1100
41038	1200
41164	1400

+

43015	760
43016	800
43017	900

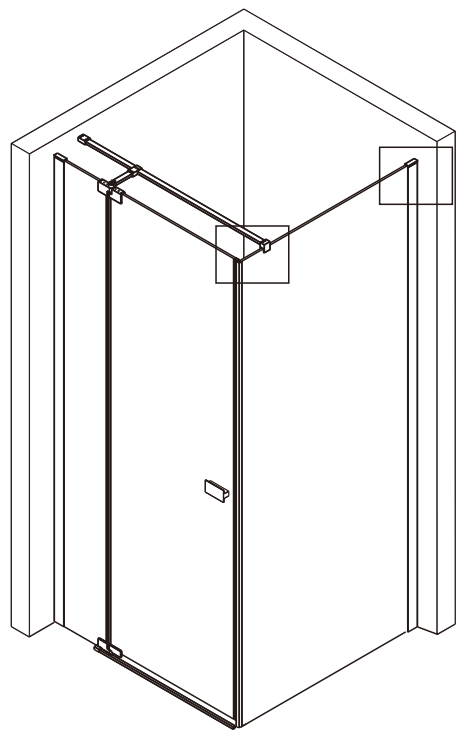
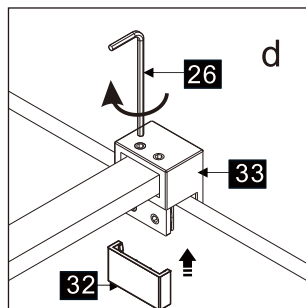
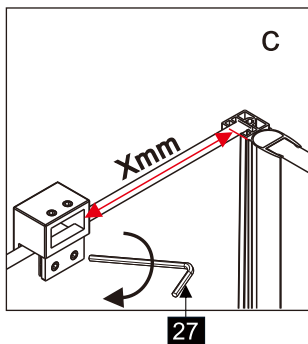
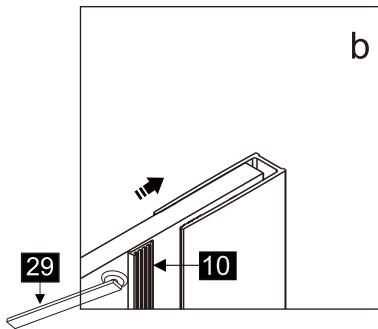
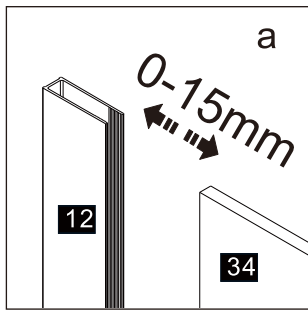
12



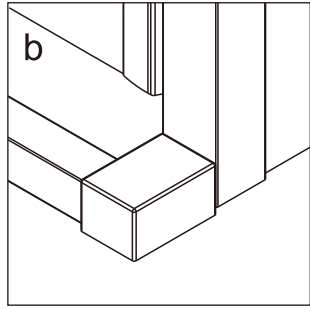
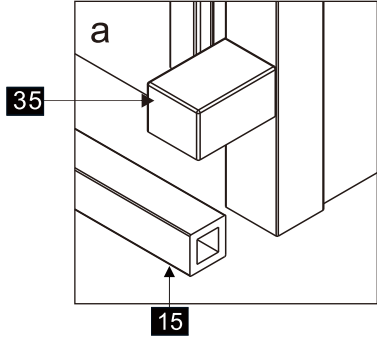
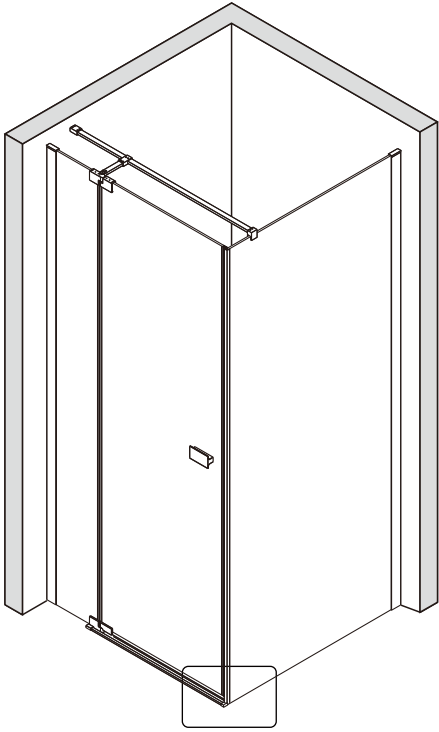
SIZE	B
43015	735~750
43016	775~790
43017	875~890

Note:
In consideration of the influence of walls and tiles, the actual installation size will be smaller than the size declared on the website, but it will not affect the normal usage. The adjustment shall be subject to the manual instructions.

13



14



15

