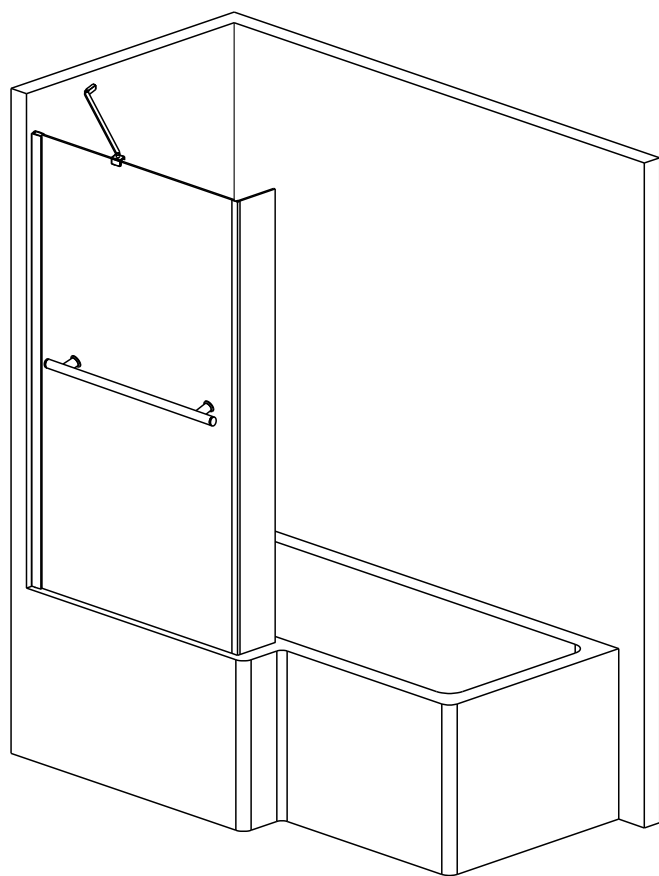
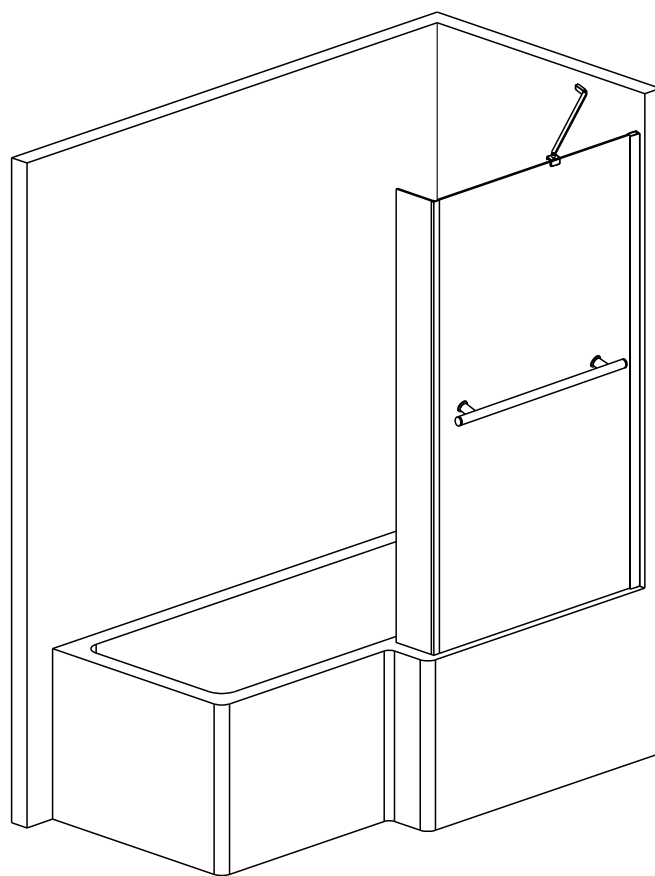


Installation Manual



L



R

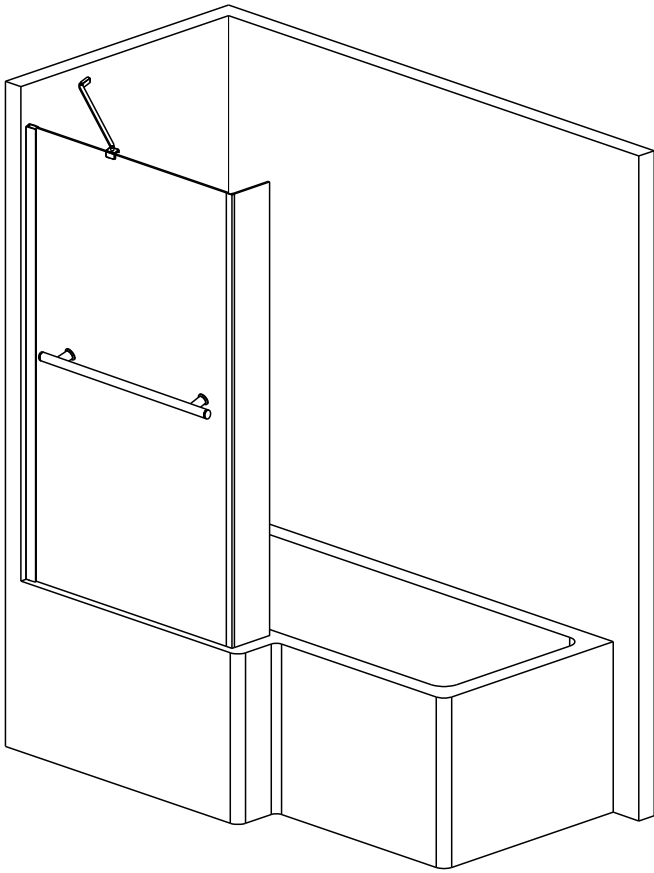
Apply for following models:

55076

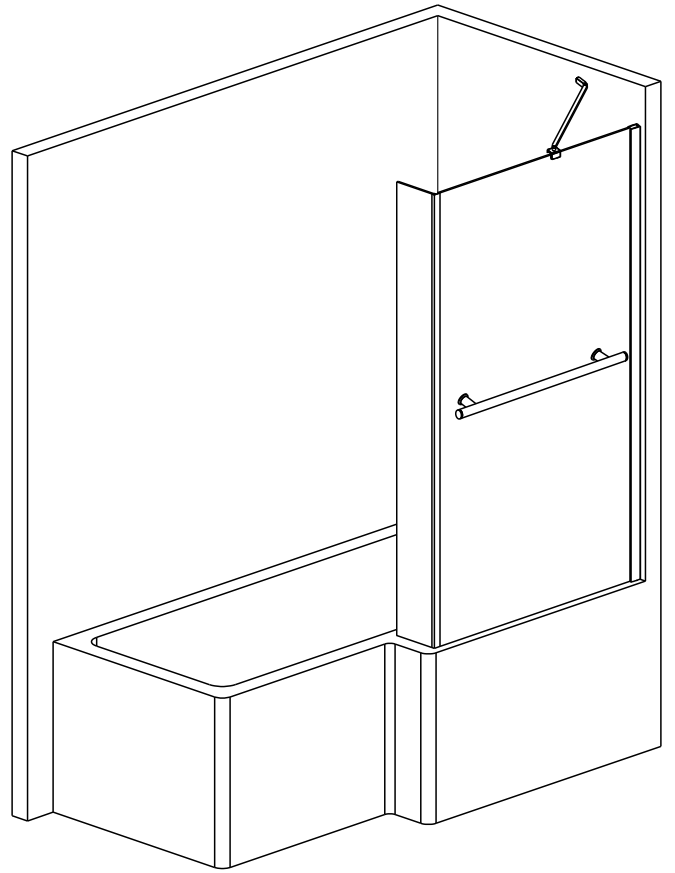
Please keep this page for your online registration.

No. FIENSEB30V3.0



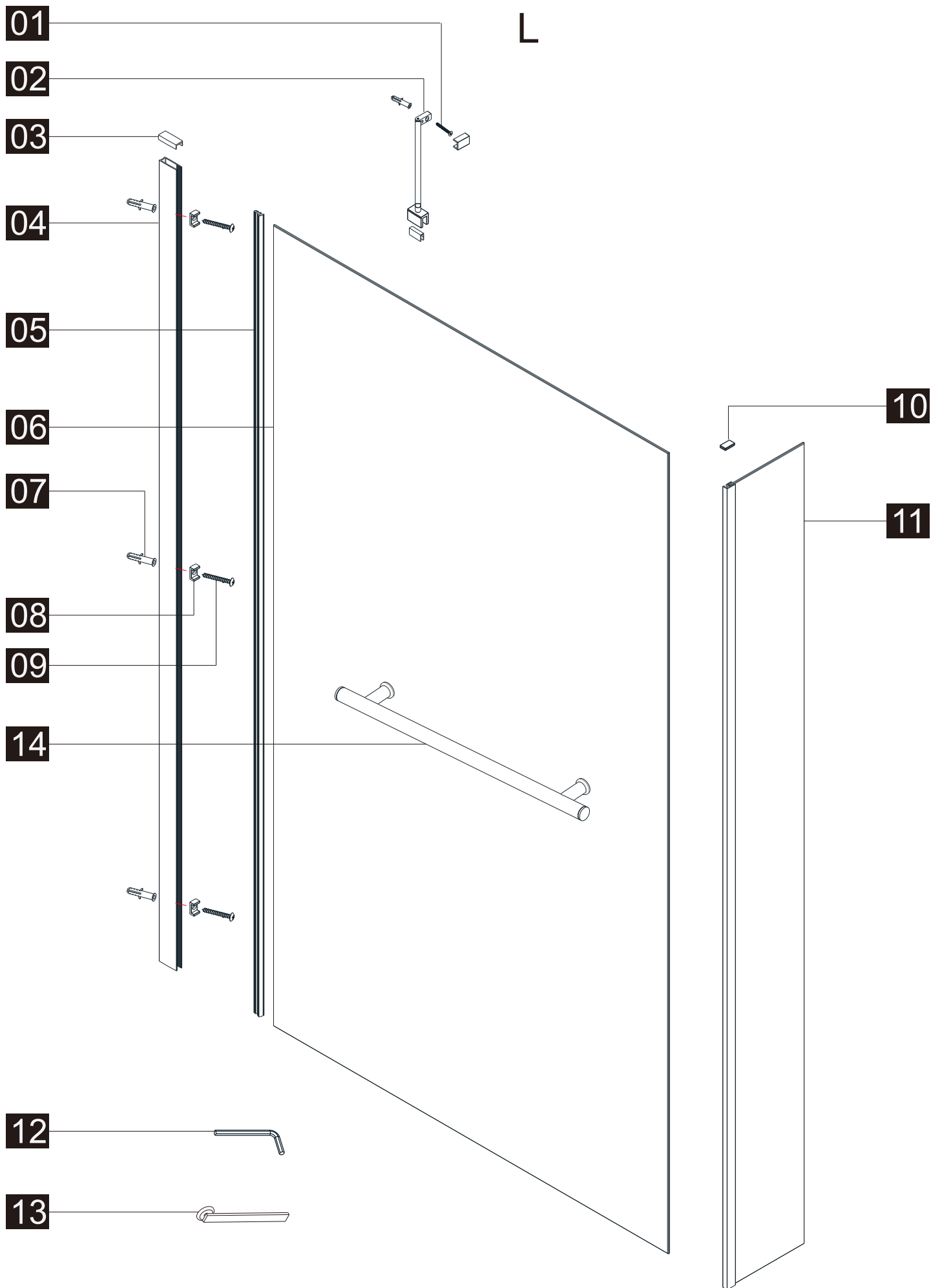


L



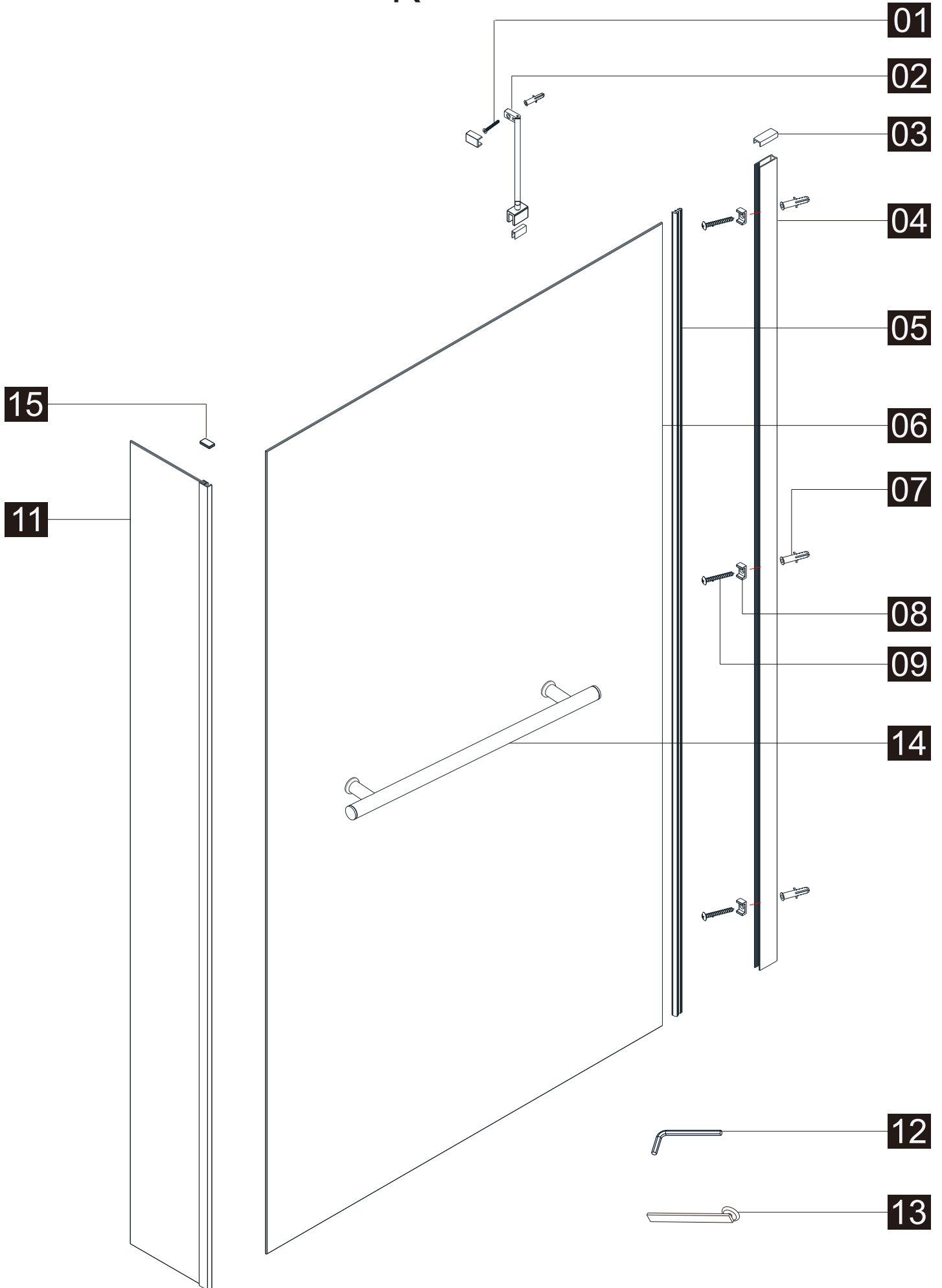
R

55075	805
-------	-----




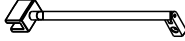


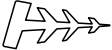

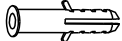



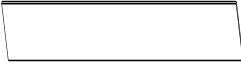

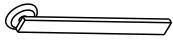


L

R



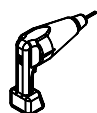
Attention: Before installation, please check whether the number and type of accessories are correct, and then install them. If there is any problem, please inform us as soon as possible. Thank you!

Parts List

Part Number	Image	Size(mm)	Quantity	Remark
01		ST4X35	1	
02			1	
03			1	
04		1400	1	Aluminum profile
05		1400	1	Seal
06			1	
07			4	
08			3	
09		ST4X35	3	
10			1	L Side
11			1	
12		2mm	1	
13			1	
14			1	
15			1	R Side

You will need

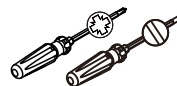
To assemble your product (Tools not provided).



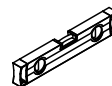
Drill



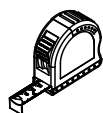
Drill Bit



Screw Driver



Level



Tape Measure



Pencil



Mallet

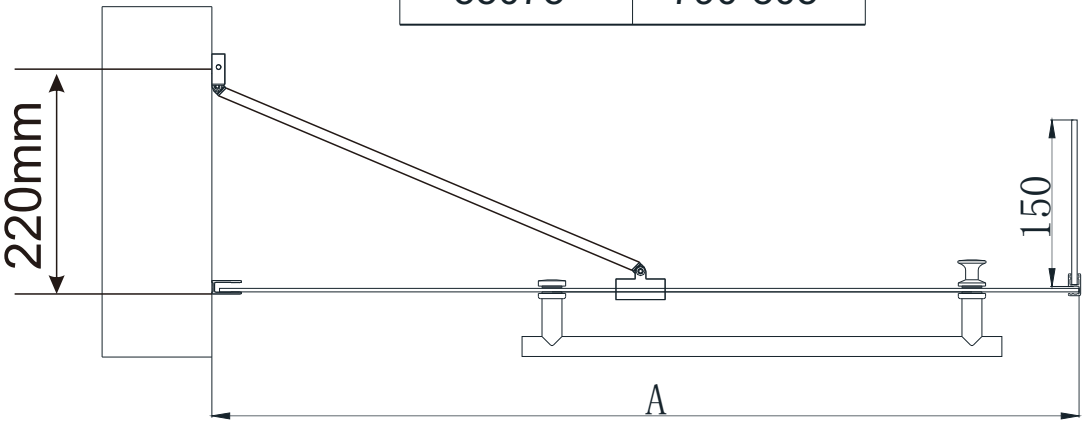


Silicon Gun

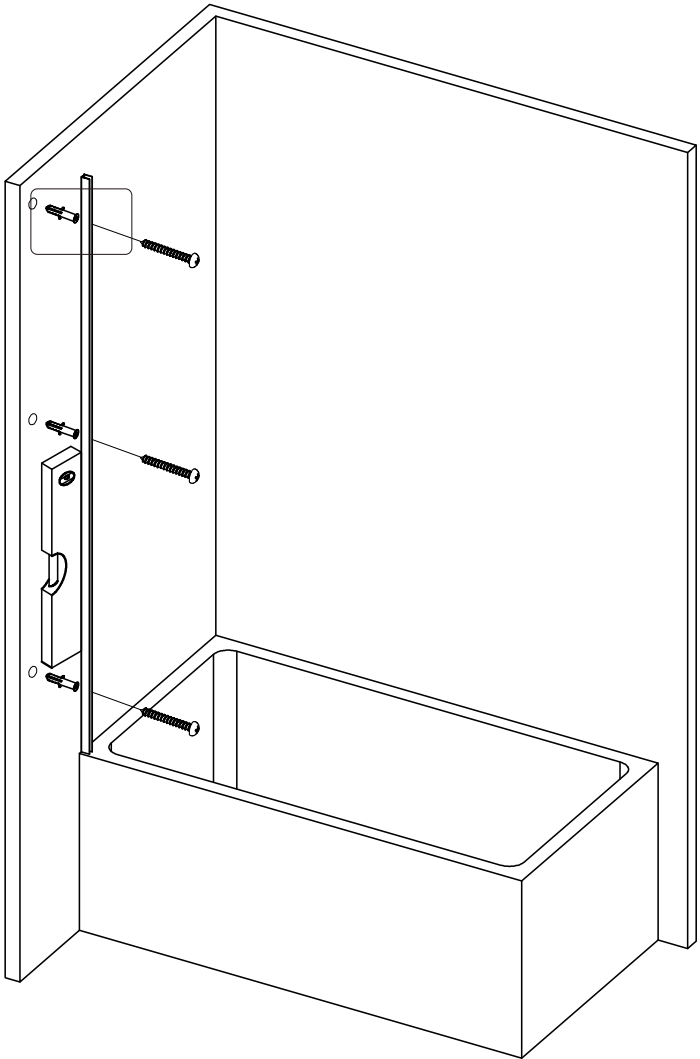
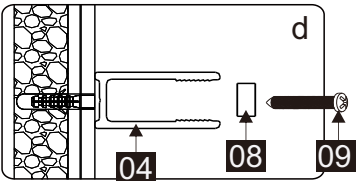
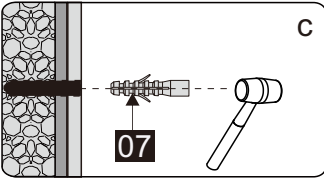
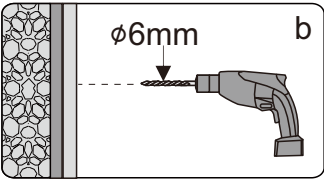
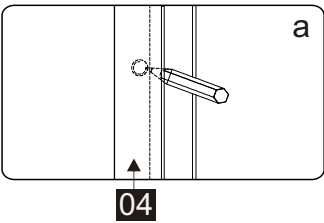


Craft Knife

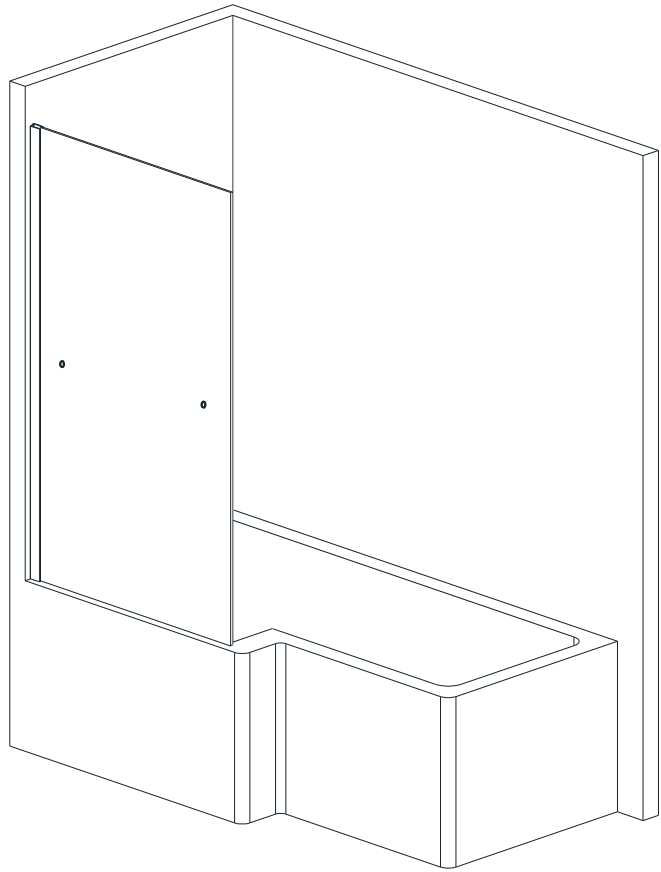
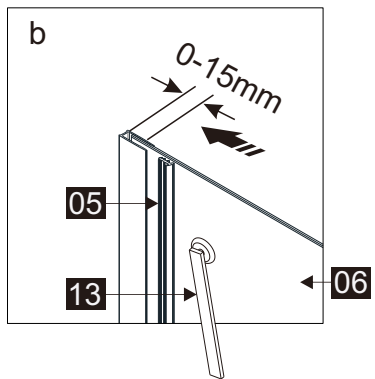
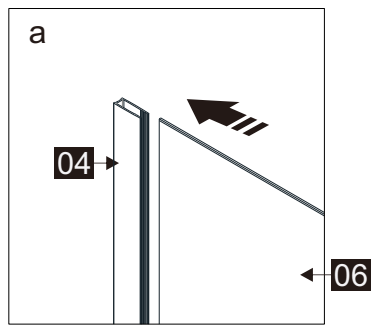
SIZE	A
55075	790-805



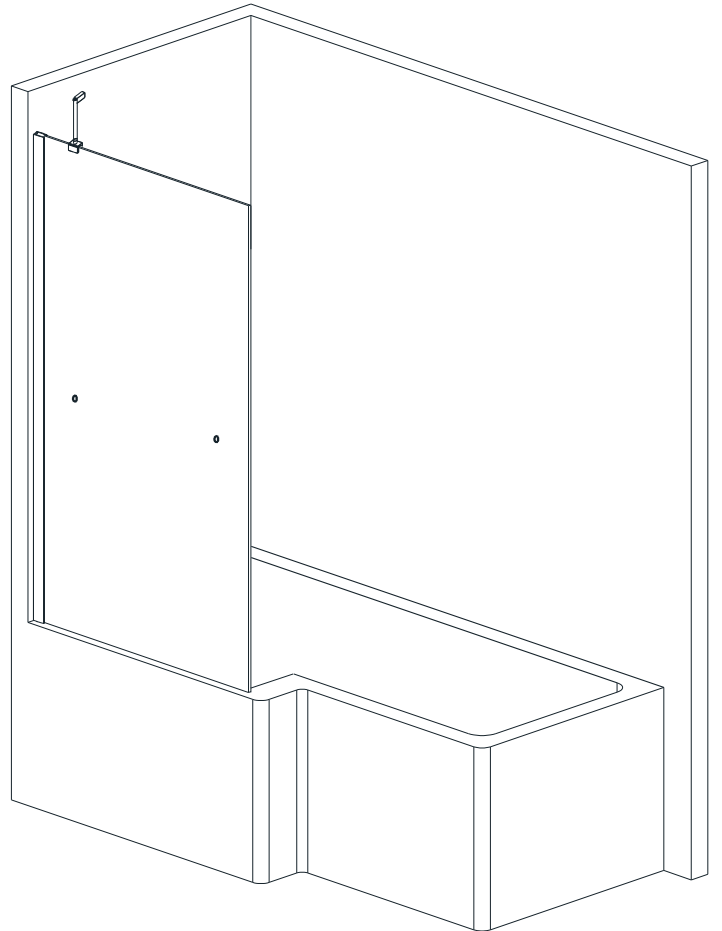
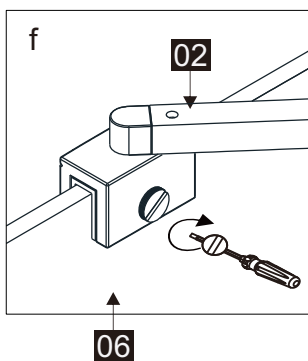
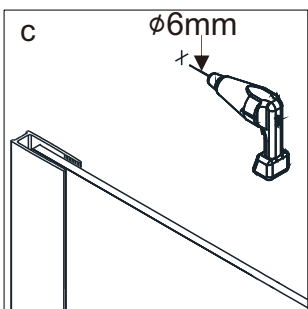
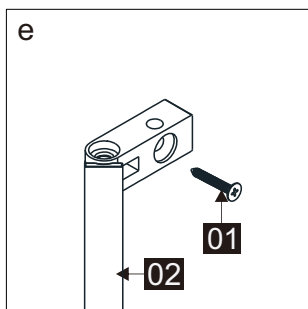
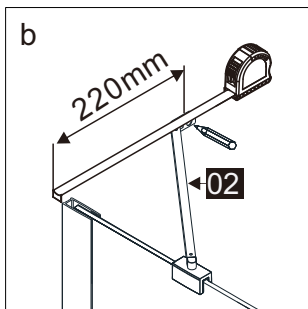
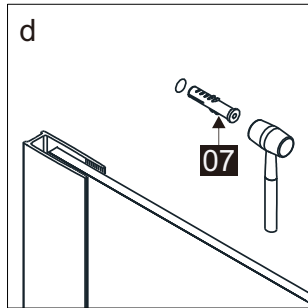
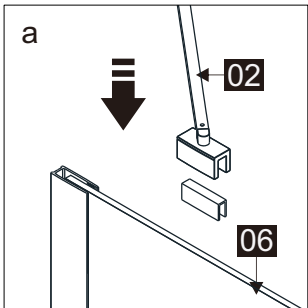
Note:
 In consideration of the influence of walls and tiles, the actual installation size will be smaller than the size declared on the website, but it will not affect the normal usage. The adjustment shall be subject to the manual instructions.



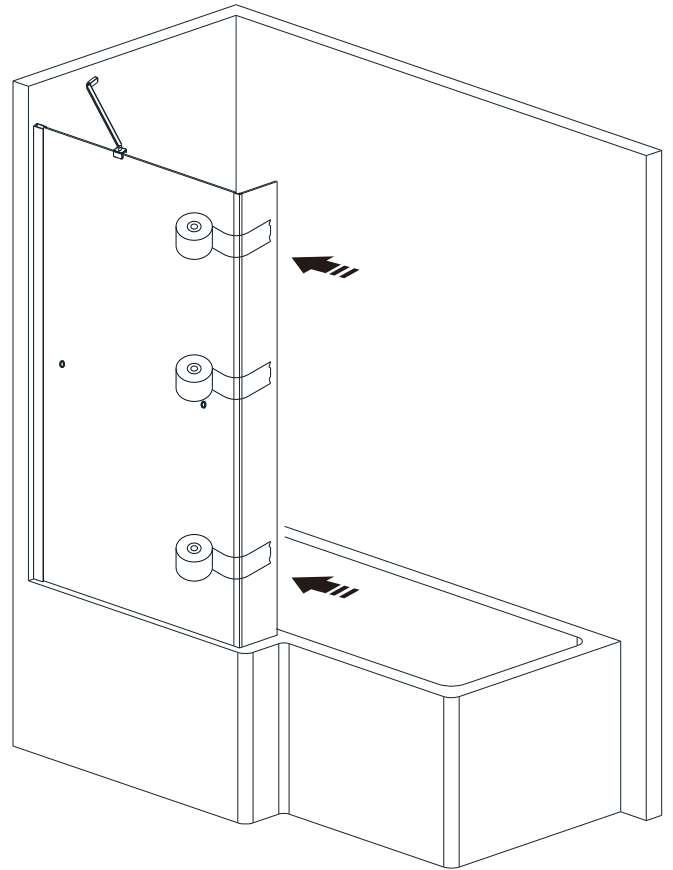
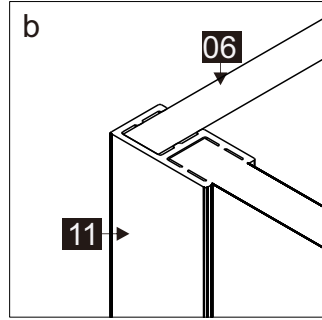
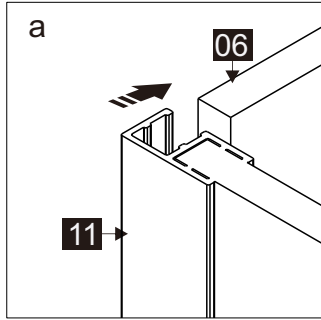
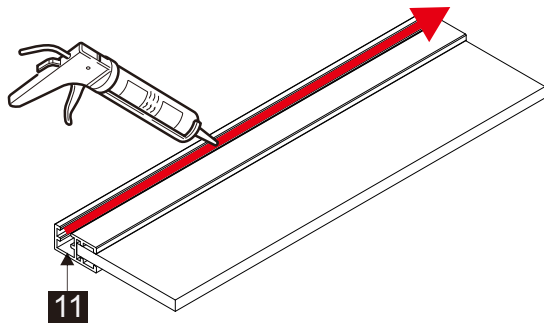
02



03



04



05

