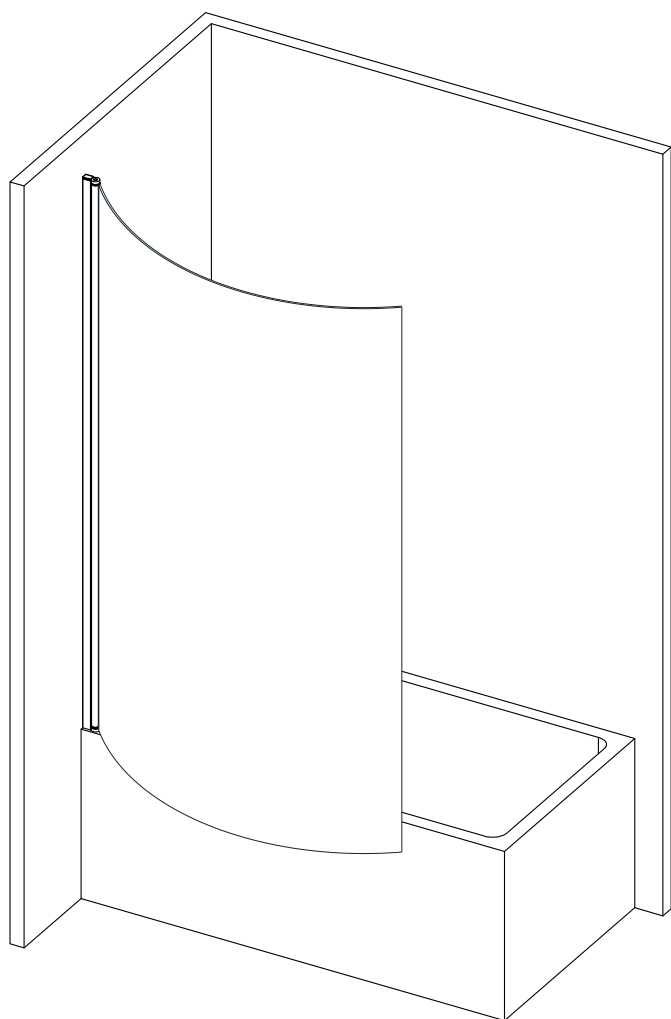
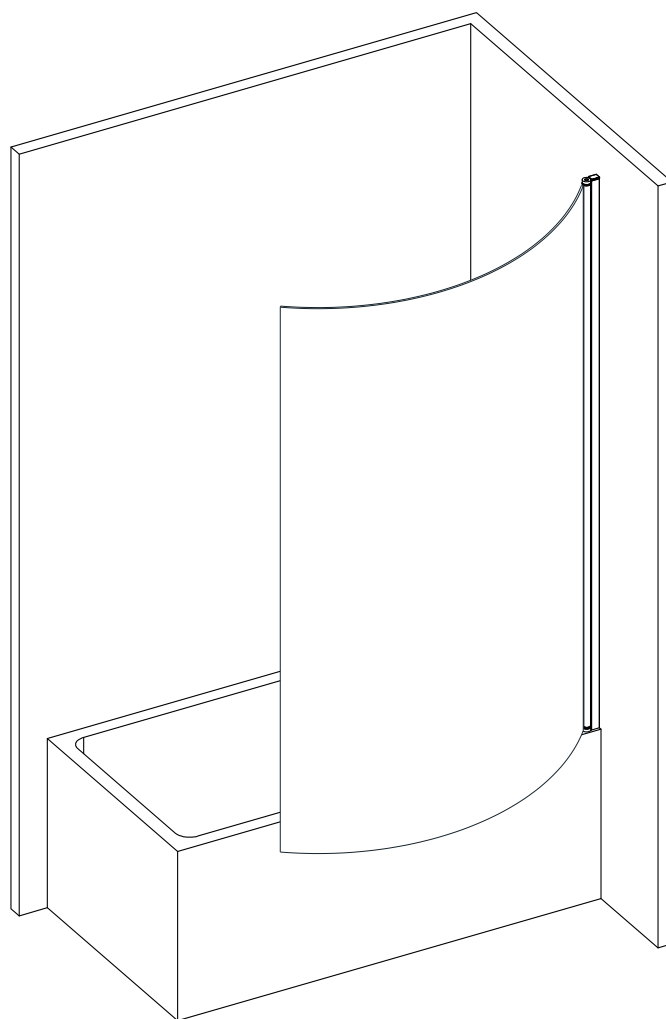


Installation Manual



L



R

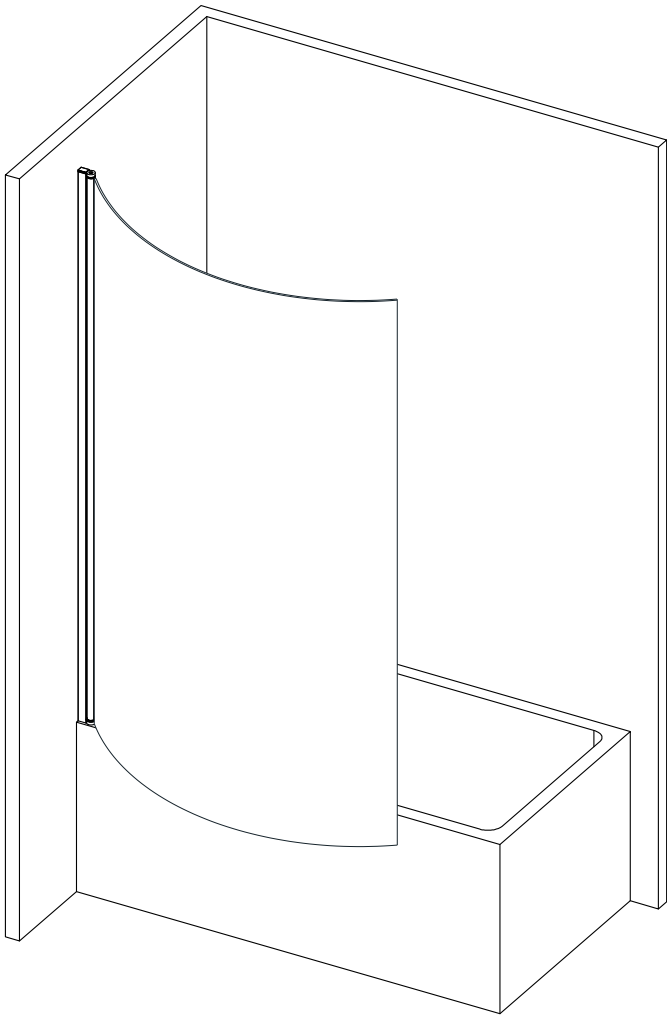
Apply for following models:

55073

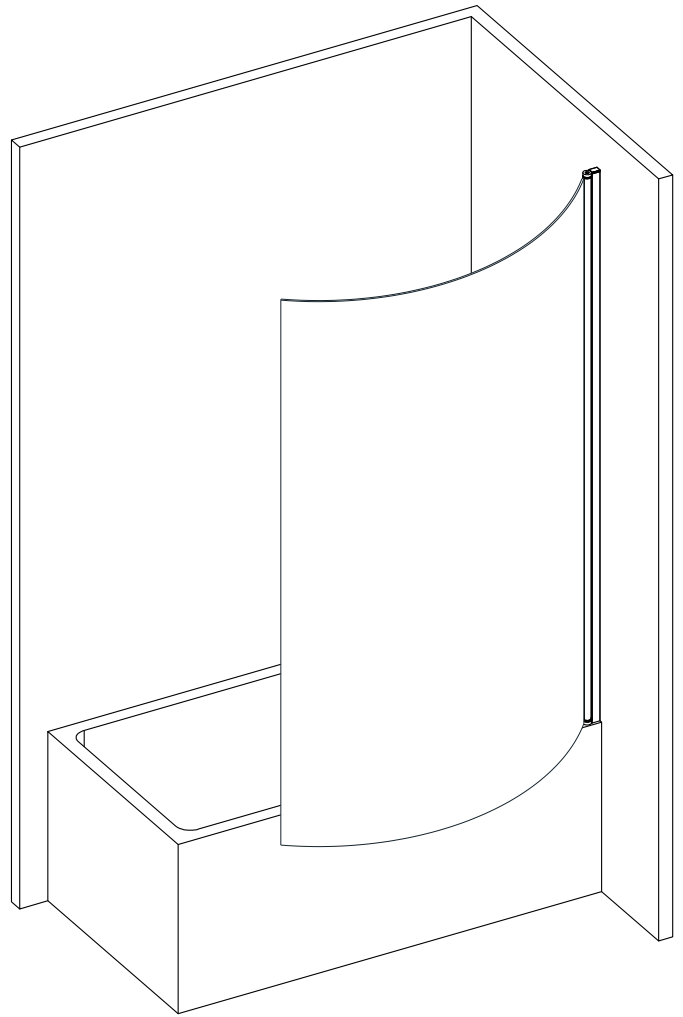
Please keep this page for your online registration.

No. FIENSEB28V3.0





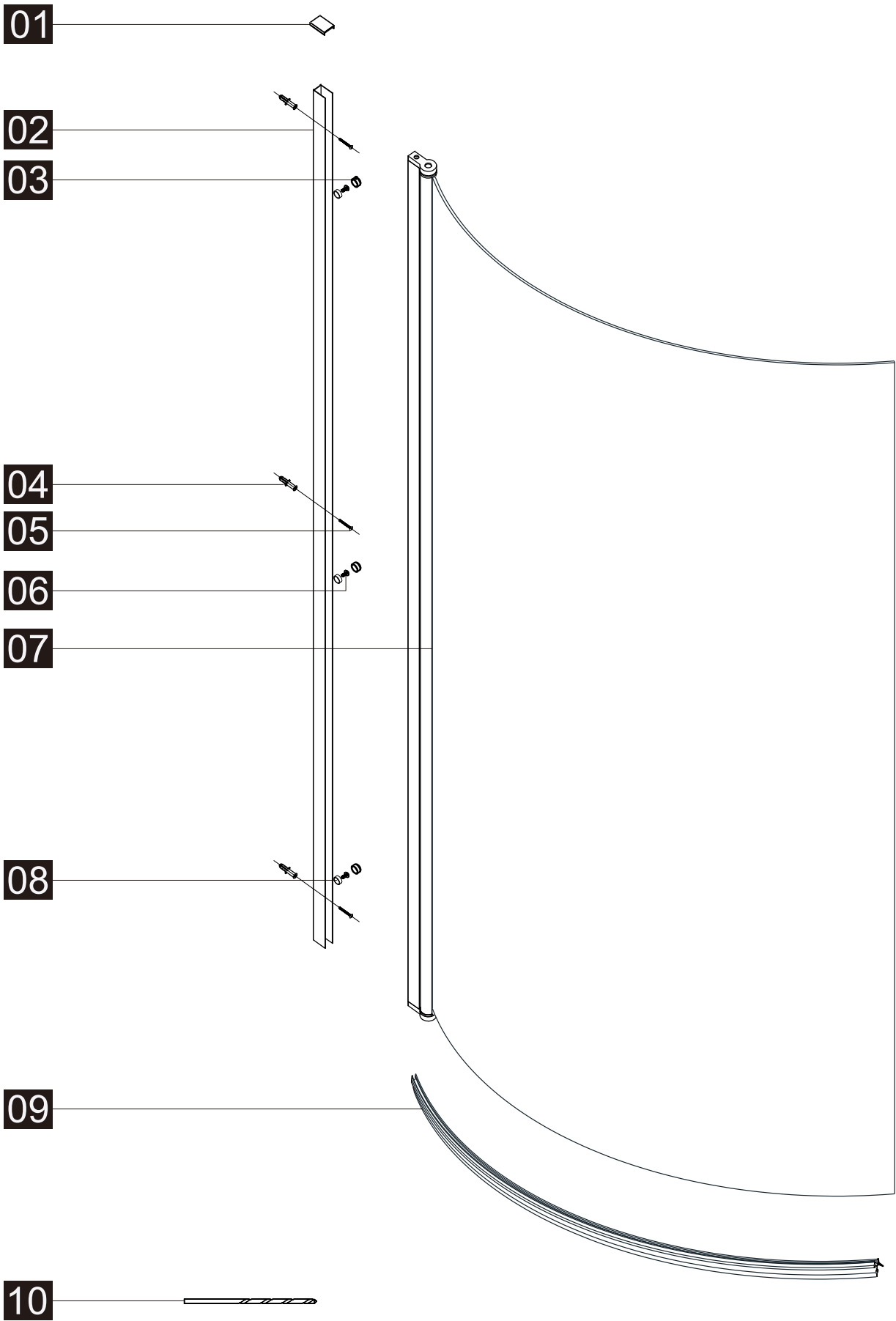
L



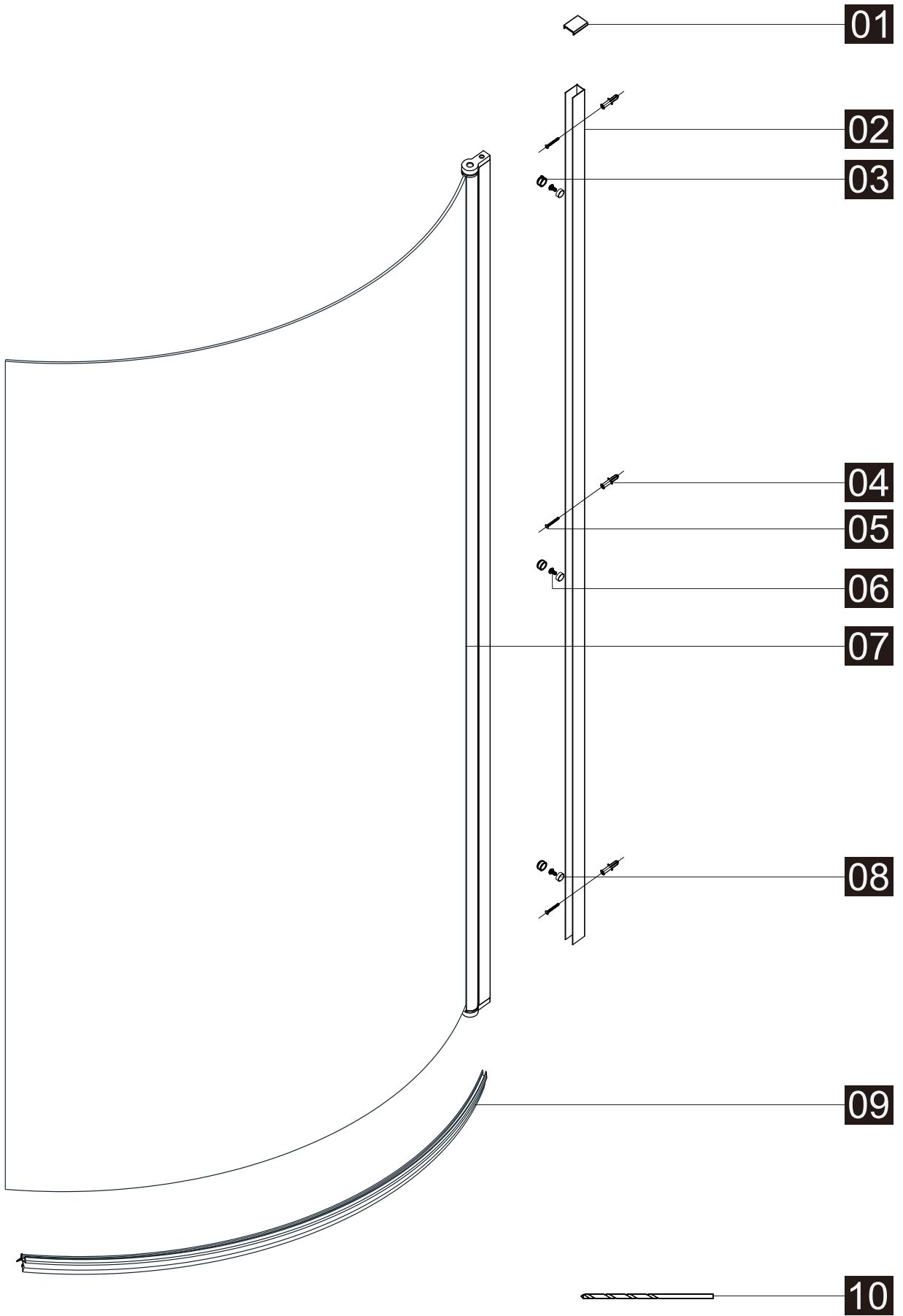
R

55073	800
-------	-----

L


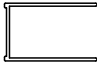

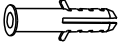




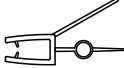
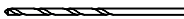


R



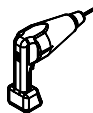
Attention: Before installation, please check whether the number and type of accessories are correct, and then install them. If there is any problem, please inform us as soon as possible. Thank you!

Parts List

Part Number	Image	Size(mm)	Quantity	Remark
01			1	
02		1400	1	Aluminum profile
03			3	
04			3	
05		ST4X35	3	
06		ST4X10	3	
07			1	
08			3	
09			1	Seal
10		φ2.8mm	1	

You will need

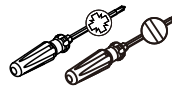
To assemble your product (Tools not provided).



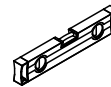
Drill



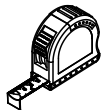
Drill Bit



Screw Driver



Level



Tape Measure



Pencil



Mallet



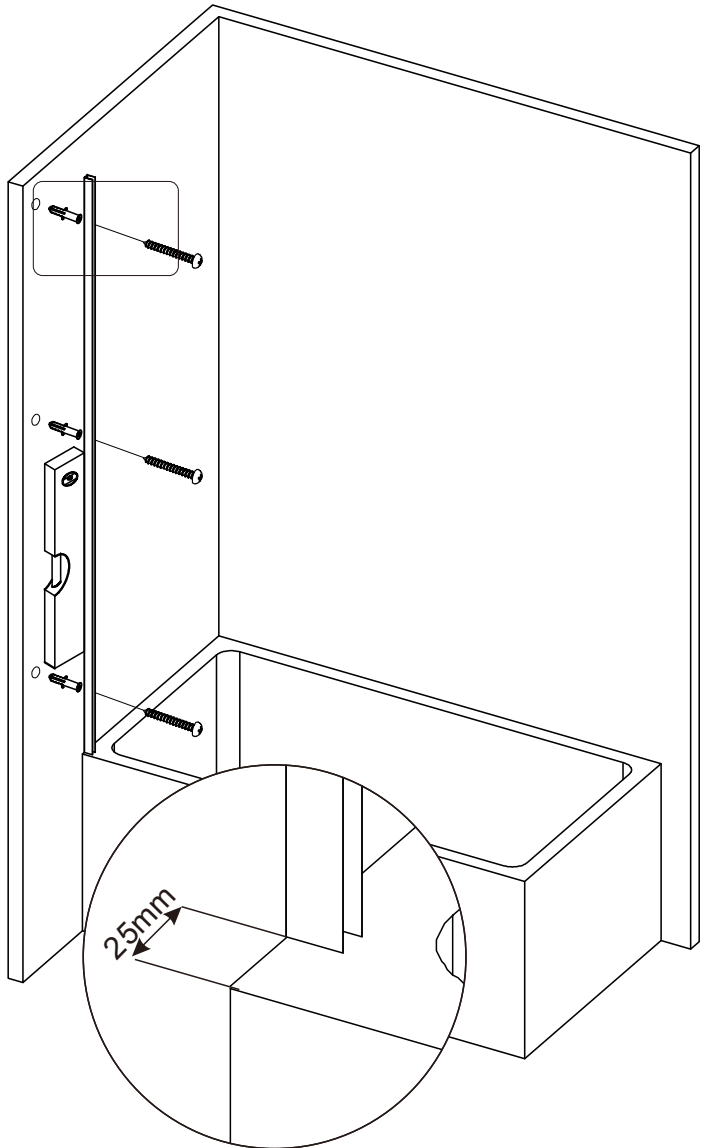
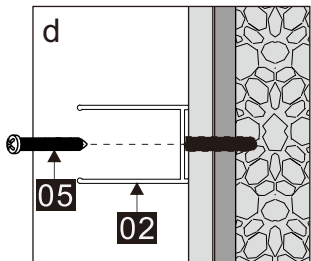
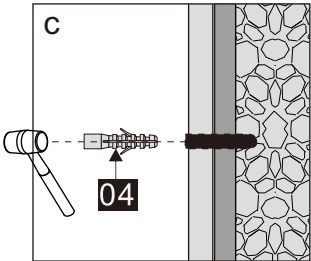
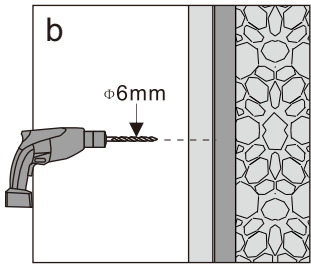
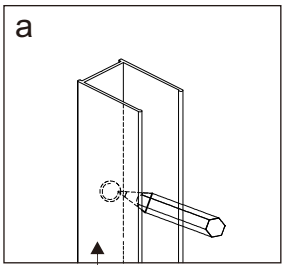
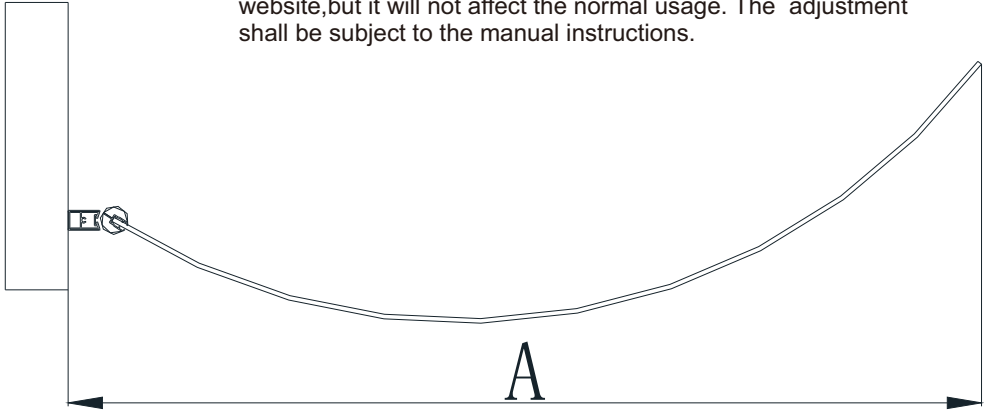
Silicon Gun



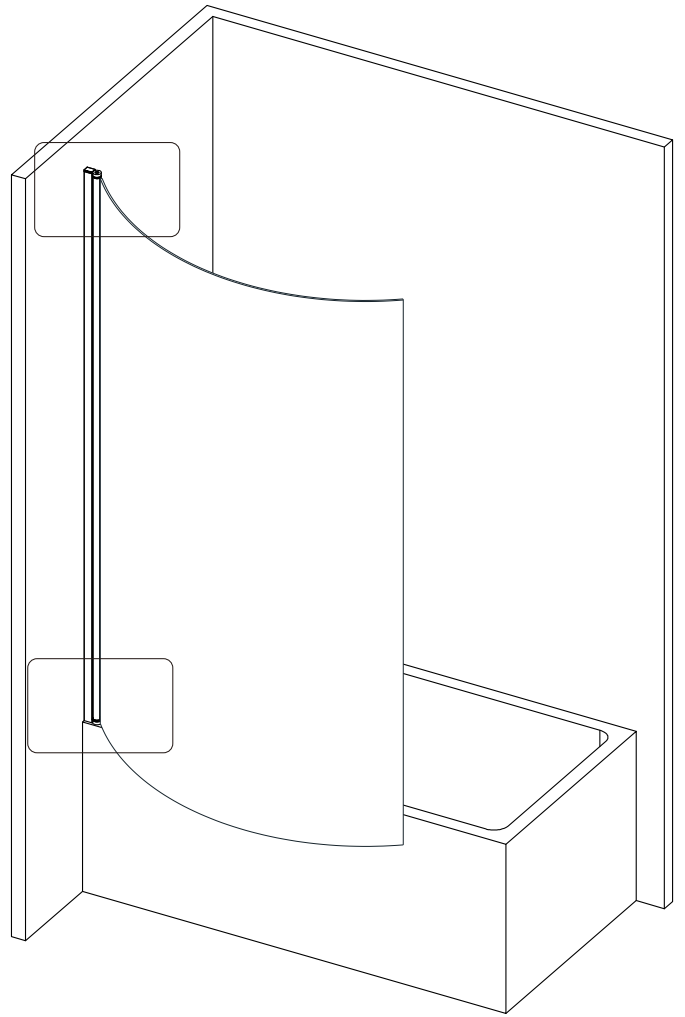
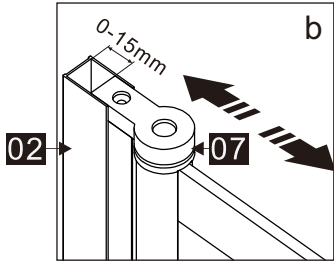
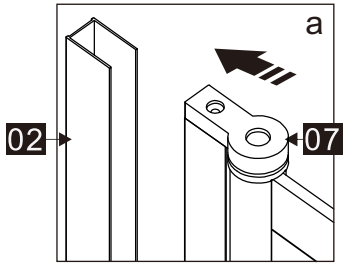
Craft Knife

SIZE	A
55073	785-800

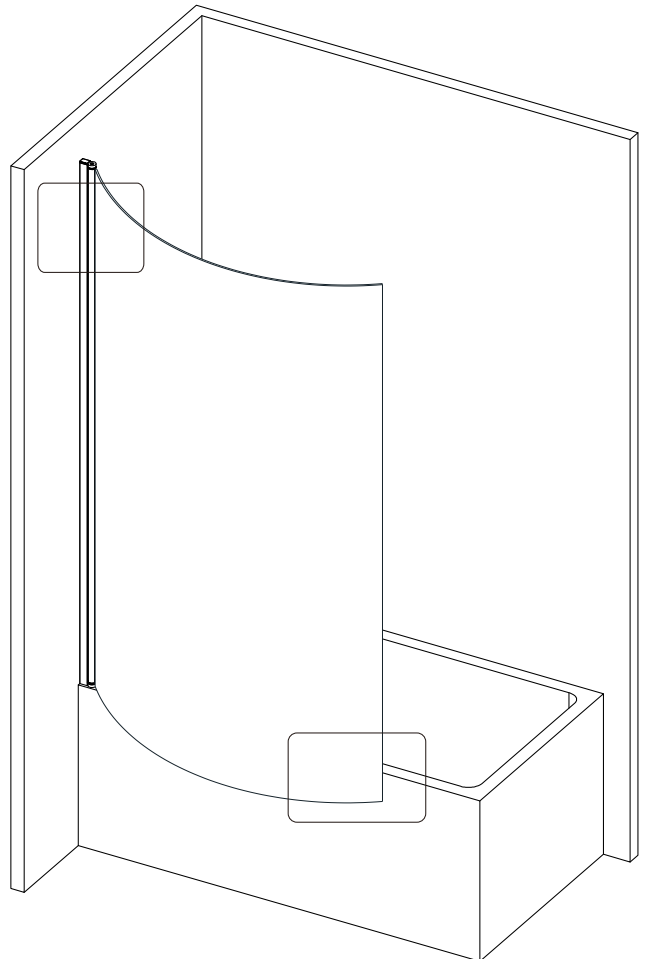
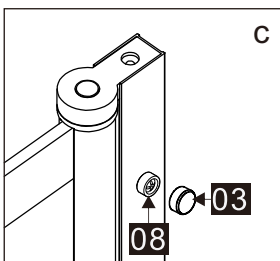
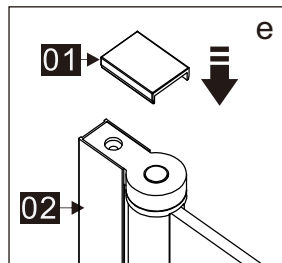
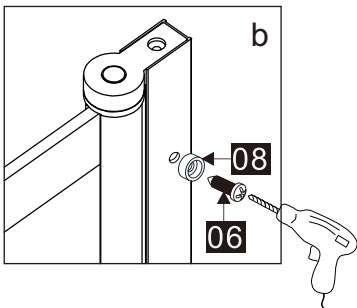
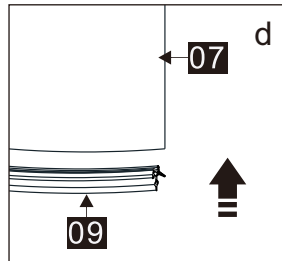
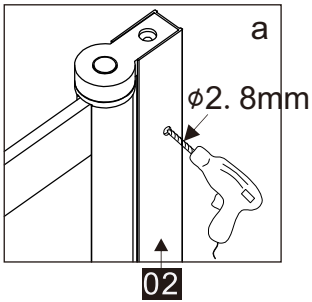
Note:
 In consideration of the influence of walls and tiles, the actual installation size will be smaller than the size declared on the website, but it will not affect the normal usage. The adjustment shall be subject to the manual instructions.



02



03



24 h 