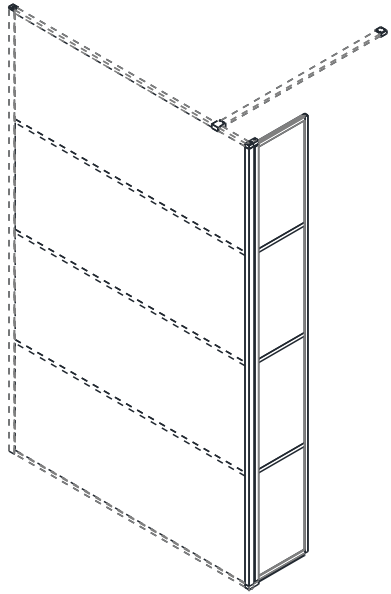
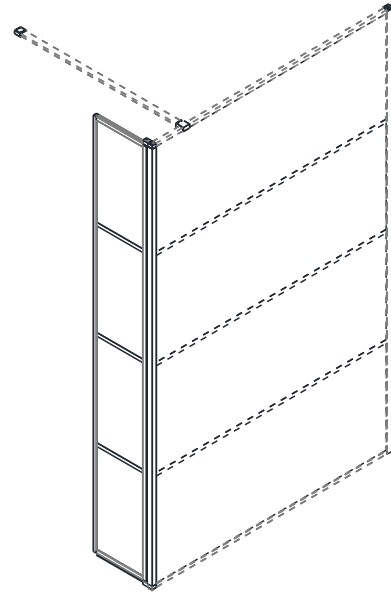


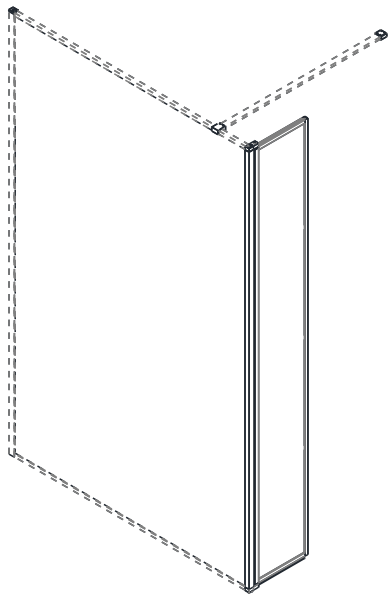
Installation Manual



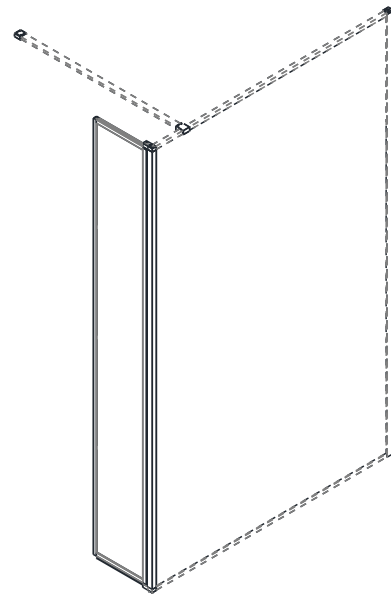
L



R



L



R

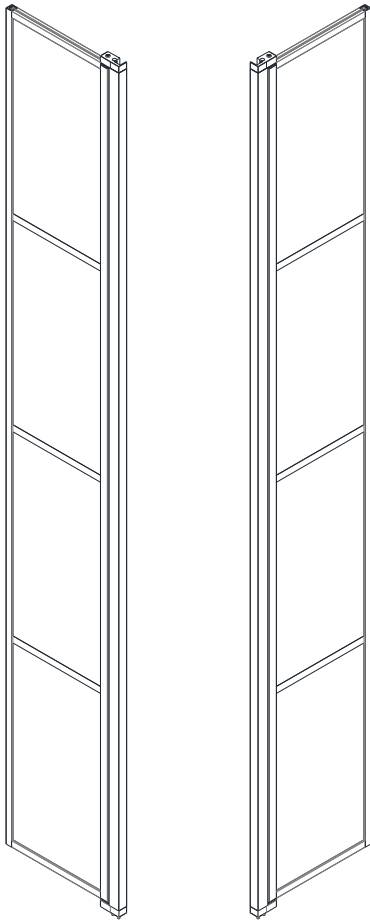
Apply for following models:

43039/43057

Please keep this page for your online registration.

No. FIENSEB34V3.0

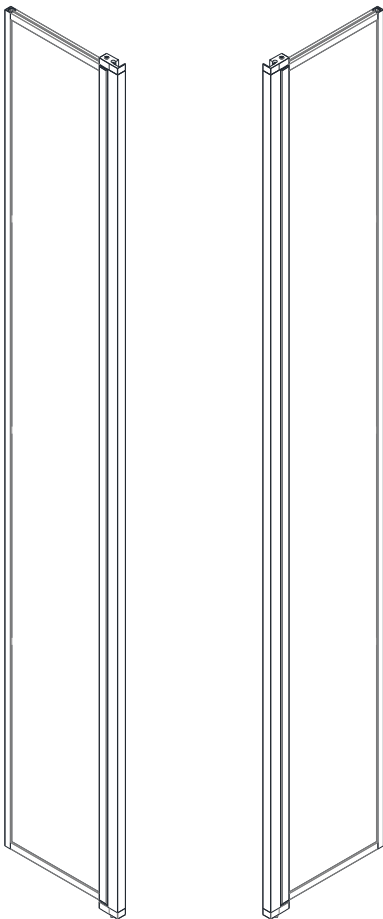




L

R

43039	250
-------	-----



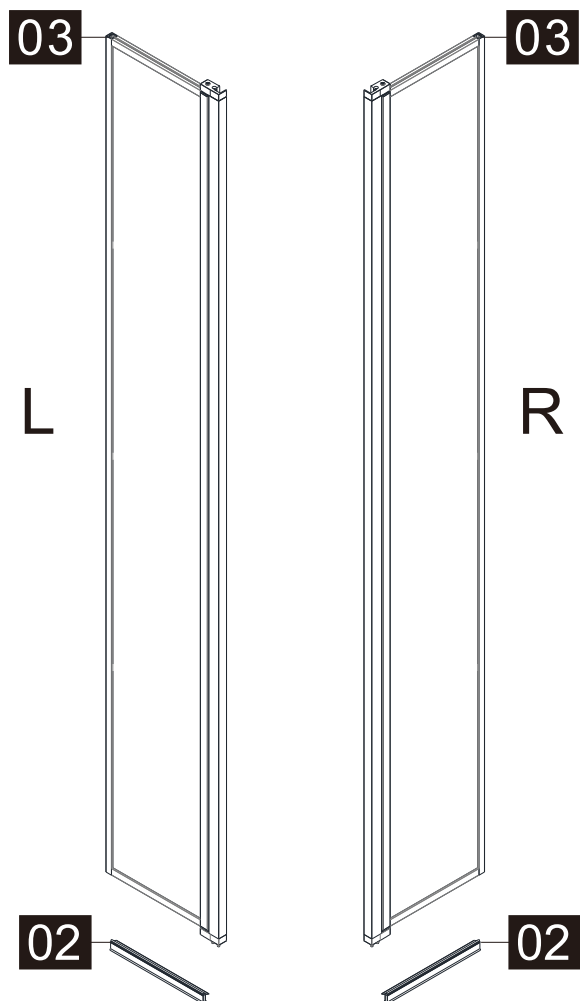
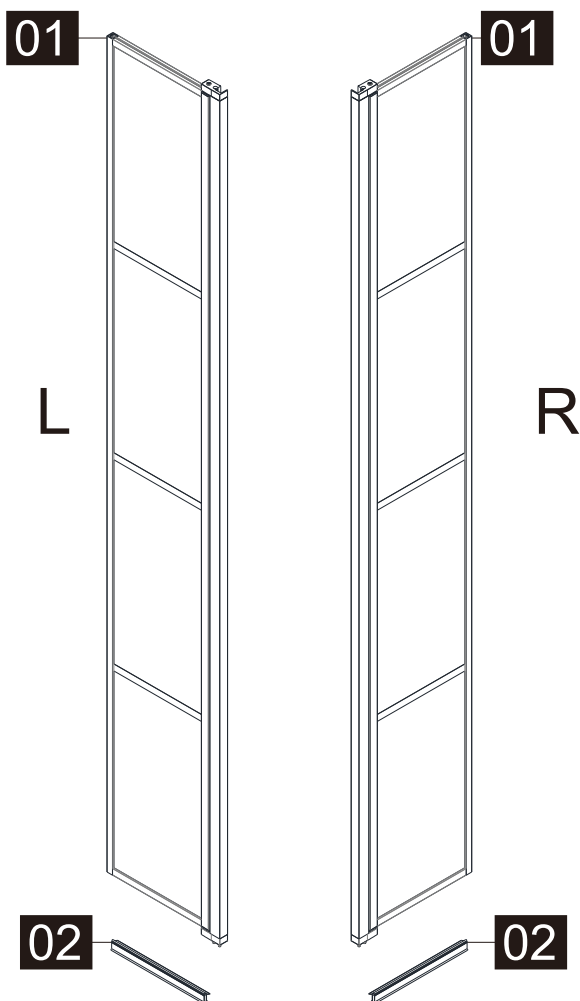
L

R

43057	250
-------	-----

43039

43057



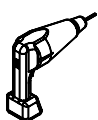
Attention: Before installation, please check whether the number and type of accessories are correct, and then install them. If there is any problem, please inform us as soon as possible. Thank you!

Parts List

Part Number	Image	Size(mm)	Quantity	Remark
01			1	
02			1	Seal
03			1	

You will need

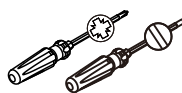
To assemble your product (Tools not provided).



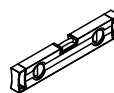
Drill



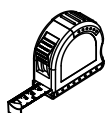
Drill Bit



Screw Driver



Level



Tape Measure



Pencil



Mallet

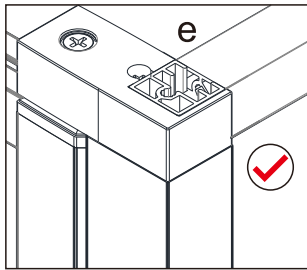
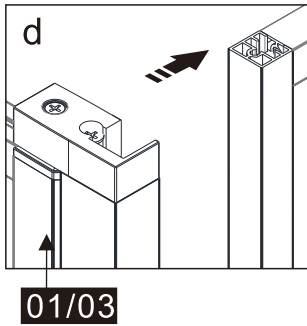
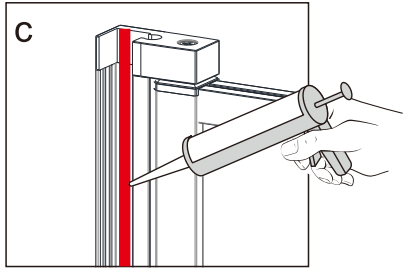
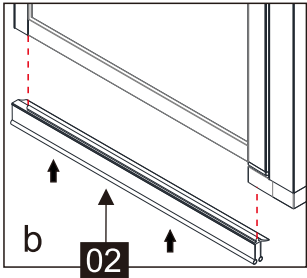
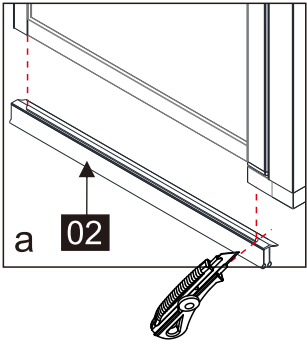
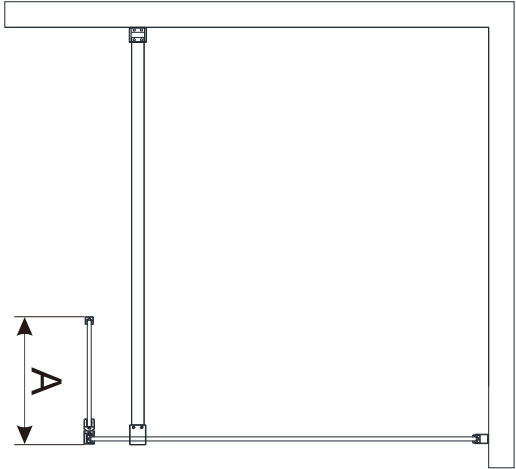


Silicon Gun

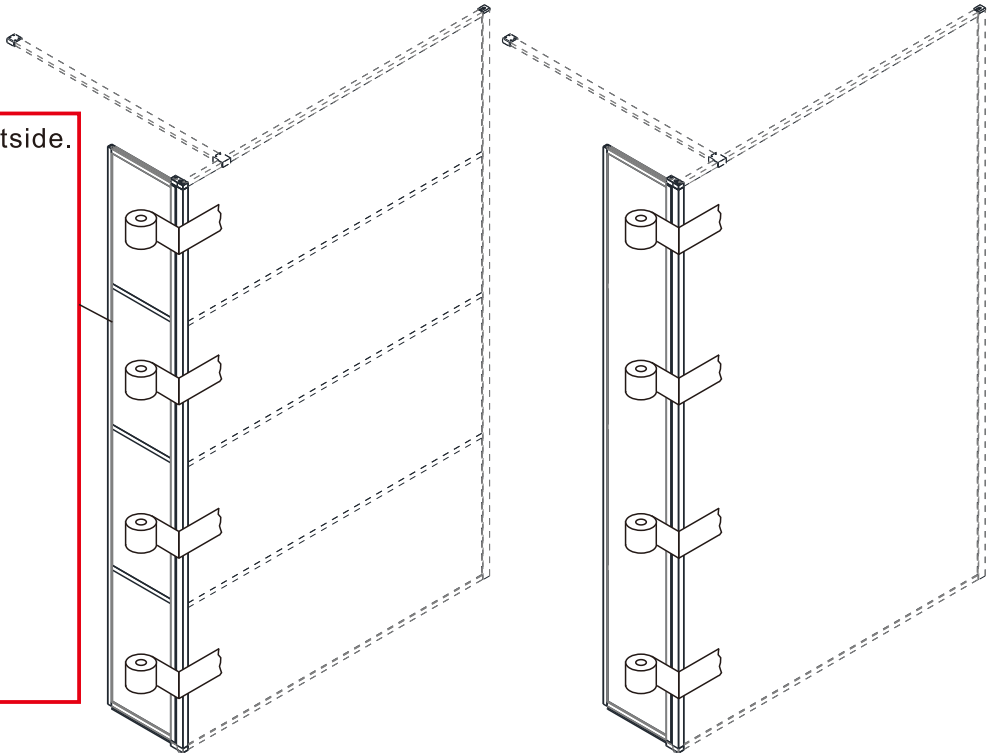


Craft Knife

SIZE(mm)	A
43039/43057	250

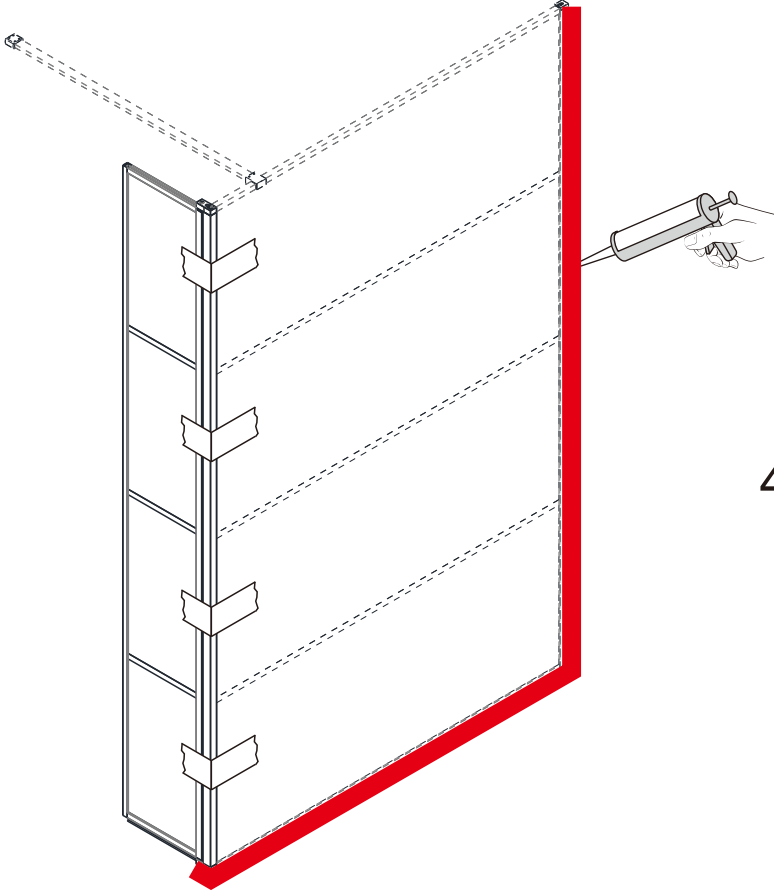


The black strip printing should be outside.

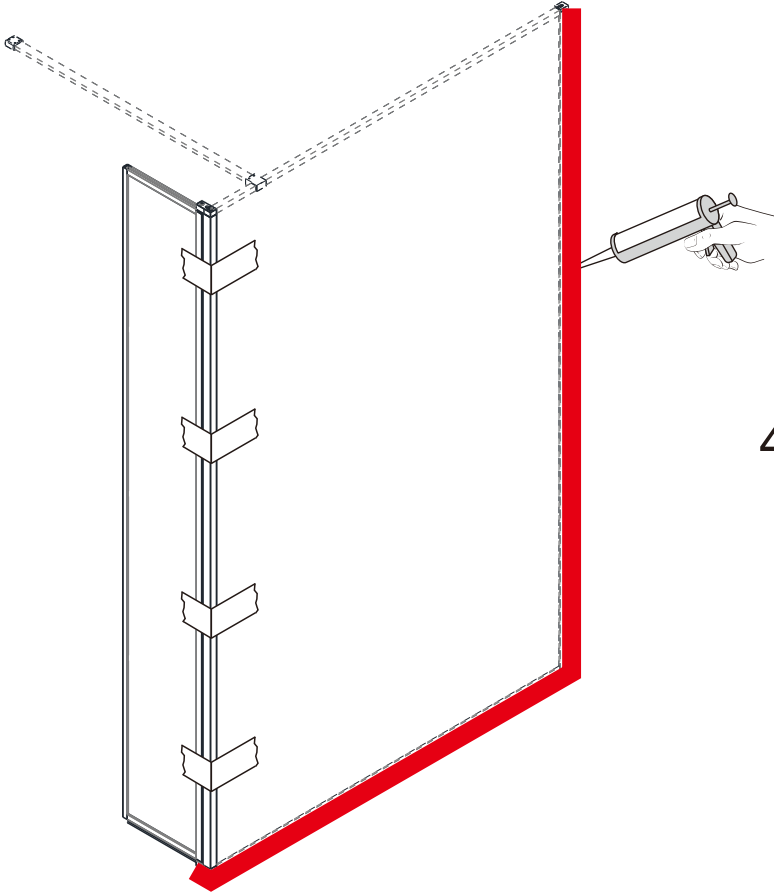
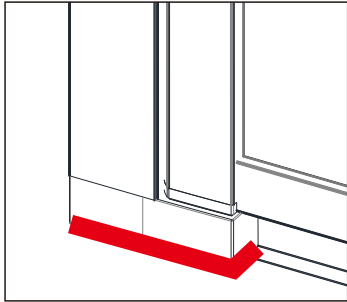


43039

43057



43039



43057