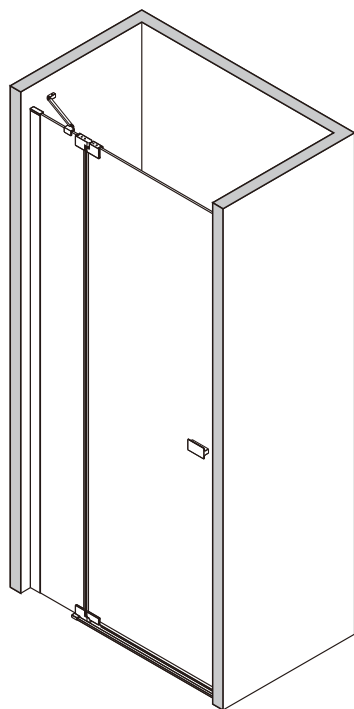
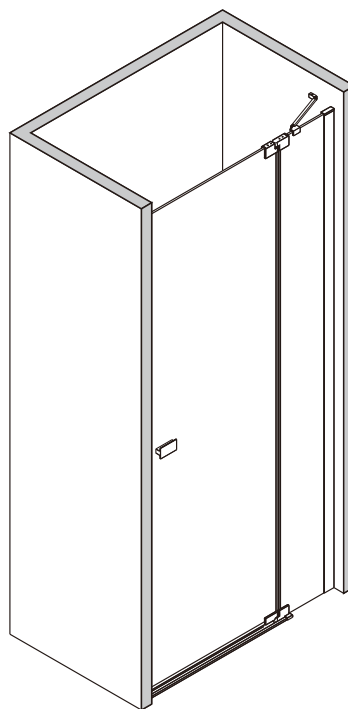


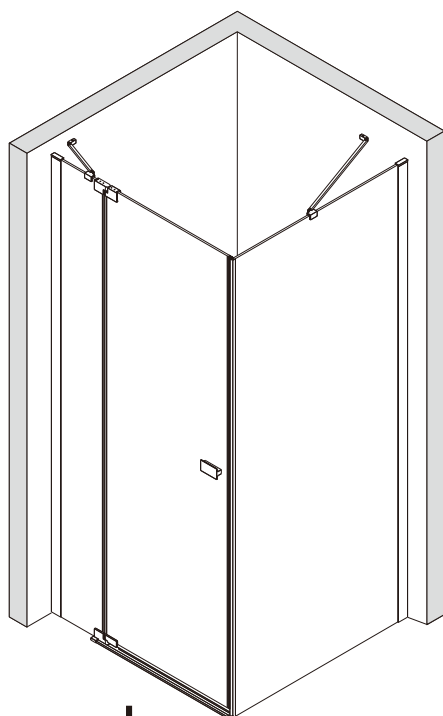
Installation Manual



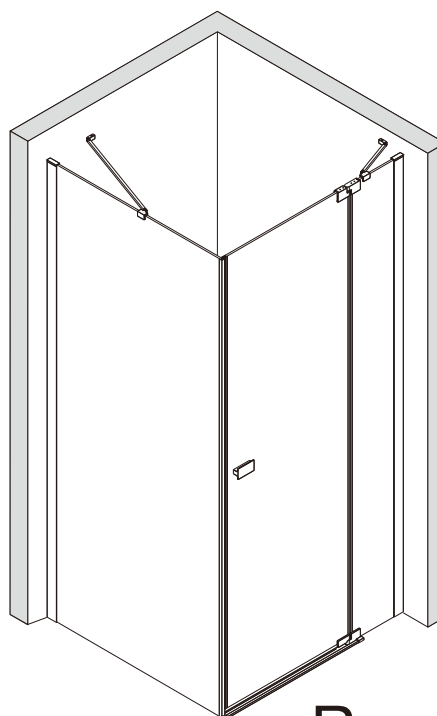
L



R



L



R

Apply for following models:

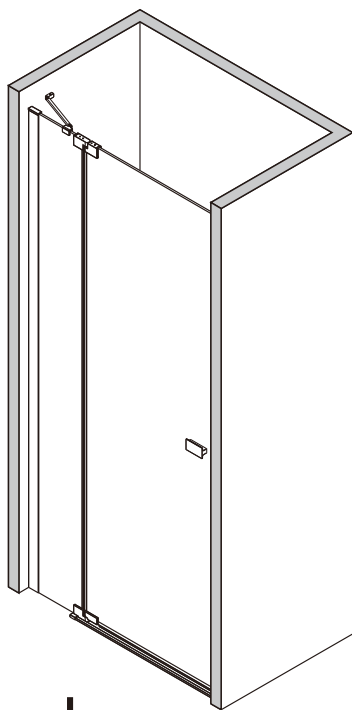
41181/41182/41183/41184
41185/41186/41187
43048/43049

Please keep this page for your online registration.

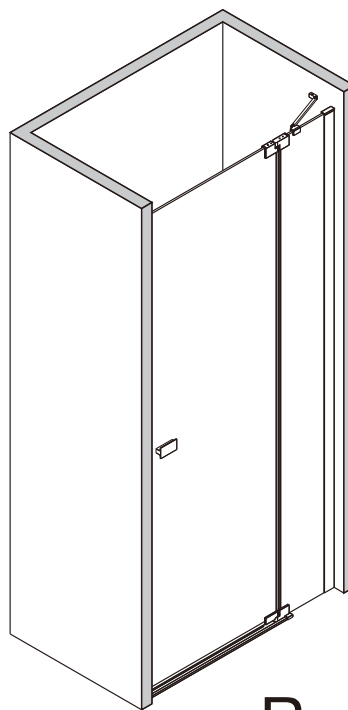
No. FIENSEB39V3.0



**41181/41182/41183/41184
41185/41186/41187**



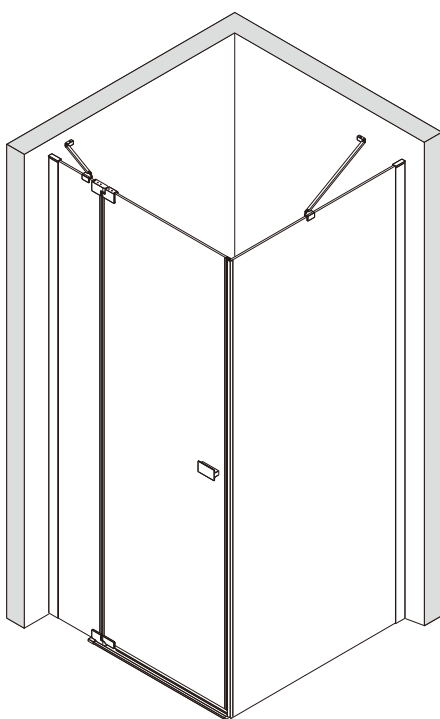
L



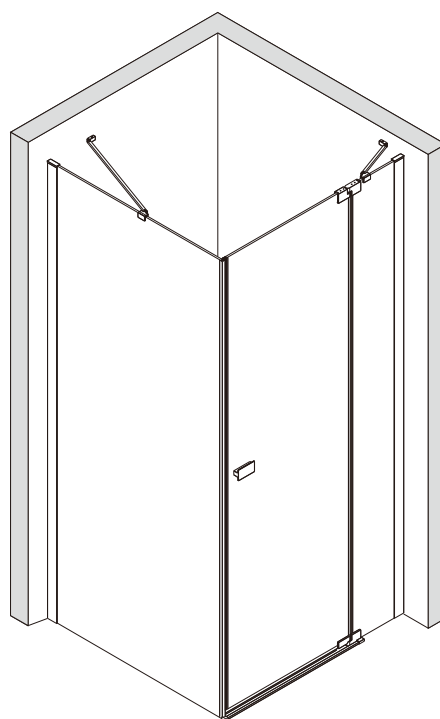
R

**41181/41182/41183/41184
41185/41186/41187**

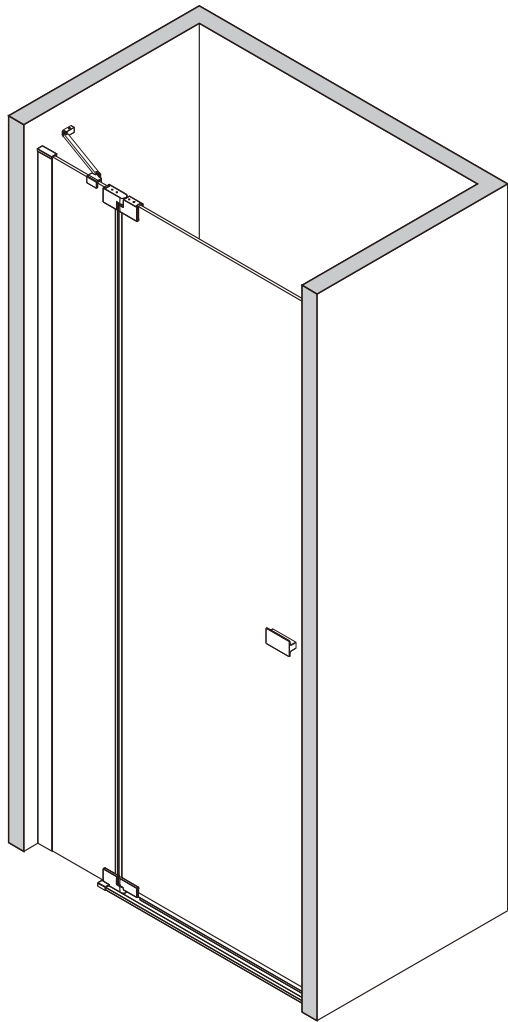
+43048/43049



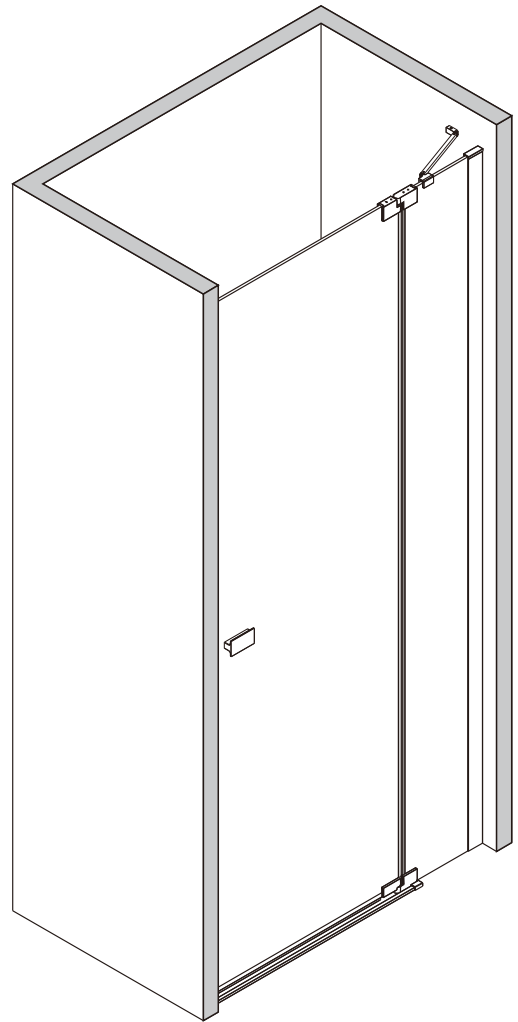
L



R



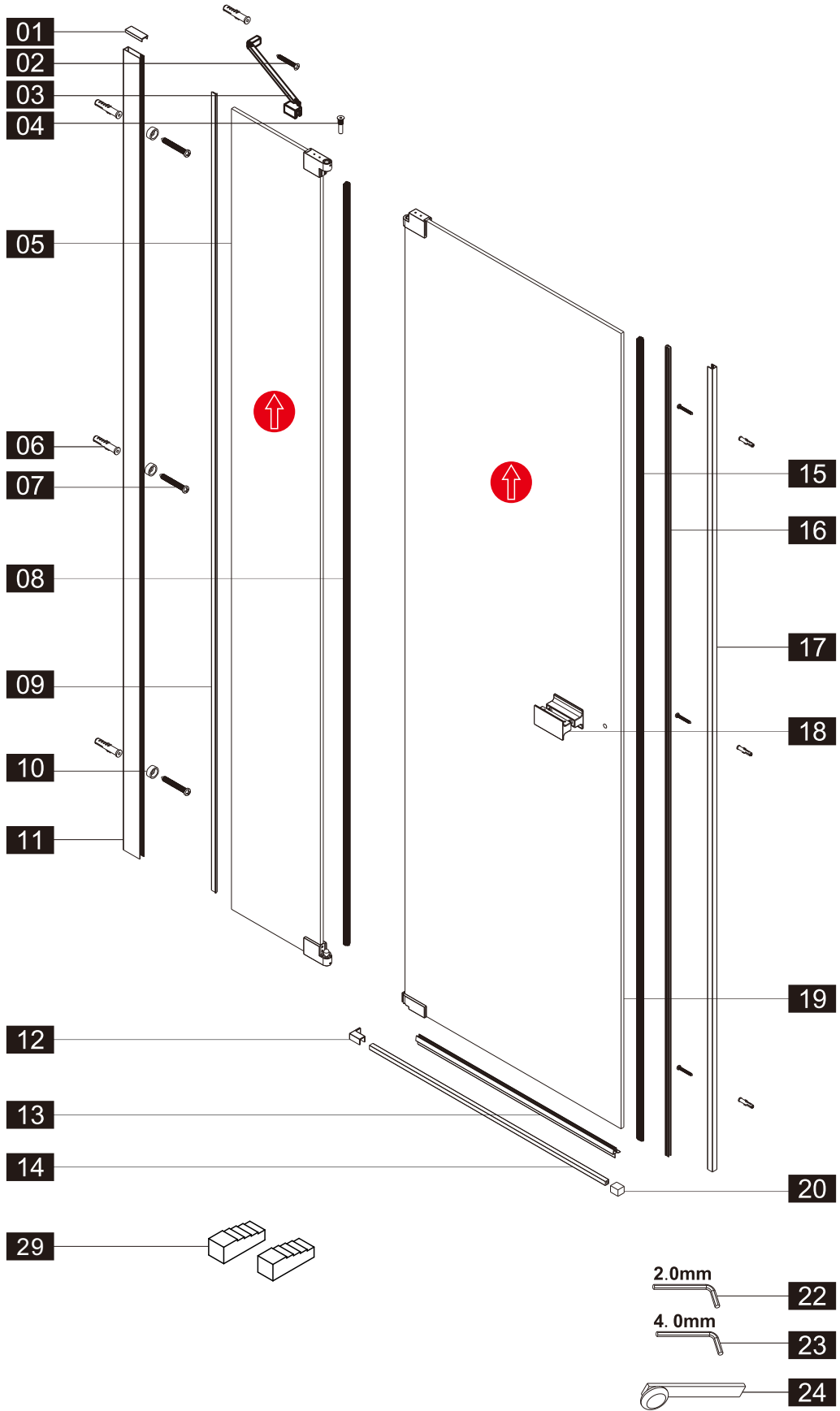
L



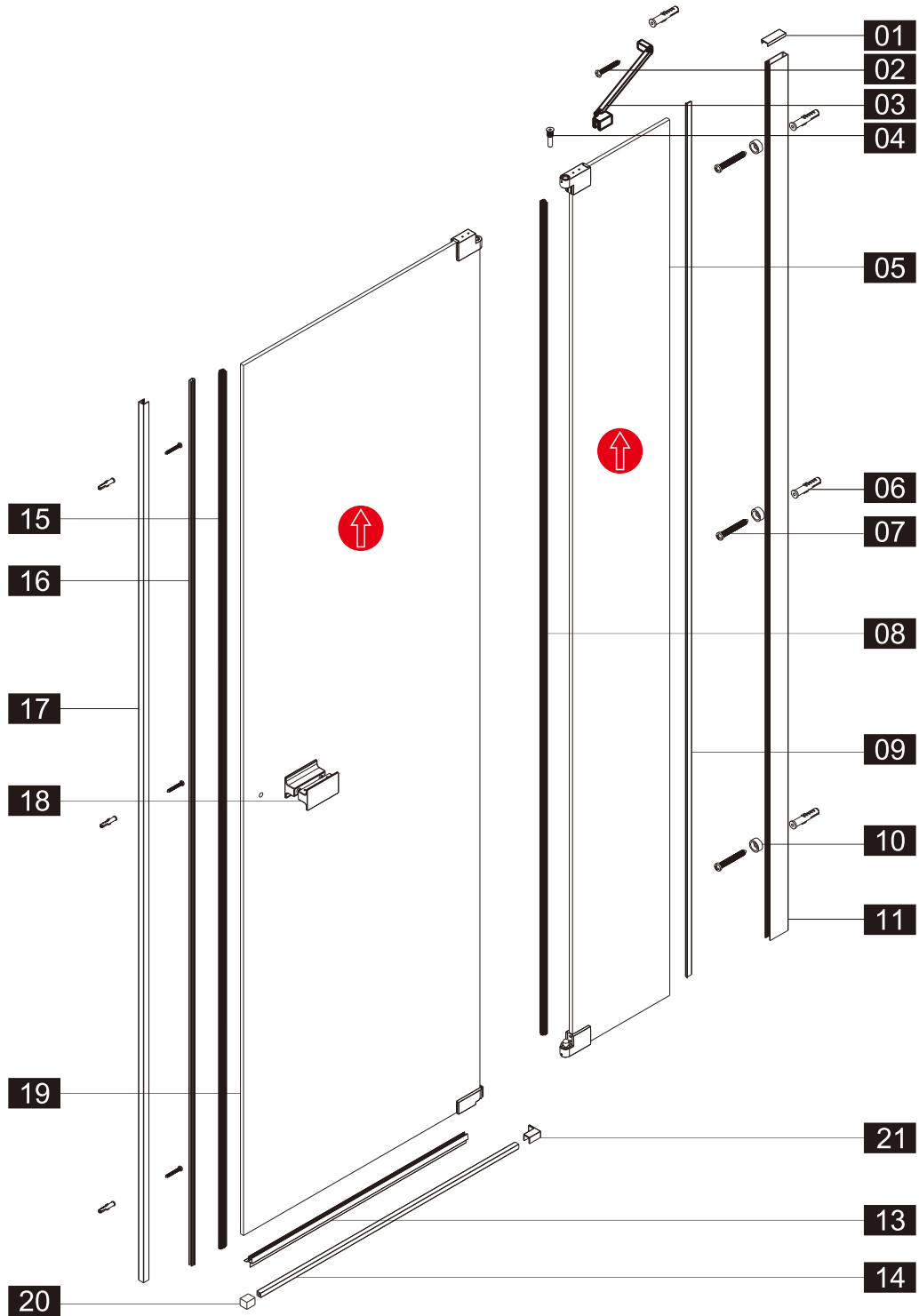
R



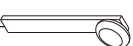
41181	800
41182	900
41183	1000
41184	1100
41185	1200
41186	1300
41187	1400

L



R




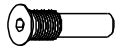
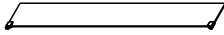
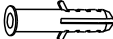

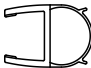
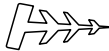

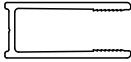

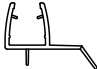
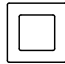


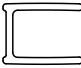

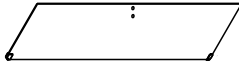


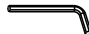

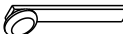


- 22  2.0mm
- 23  4.0mm
- 24 

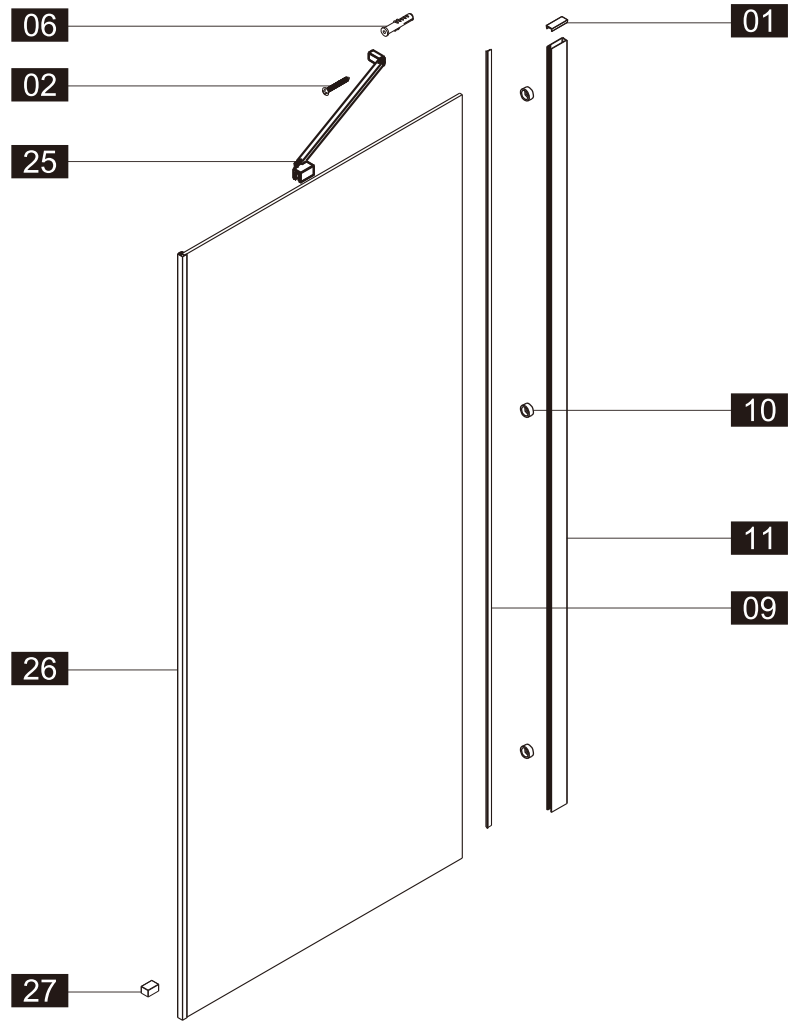


Attention: Before installation, please check whether the number and type of accessories are correct, and then install them. If there is any problem, please inform us as soon as possible. Thank you!

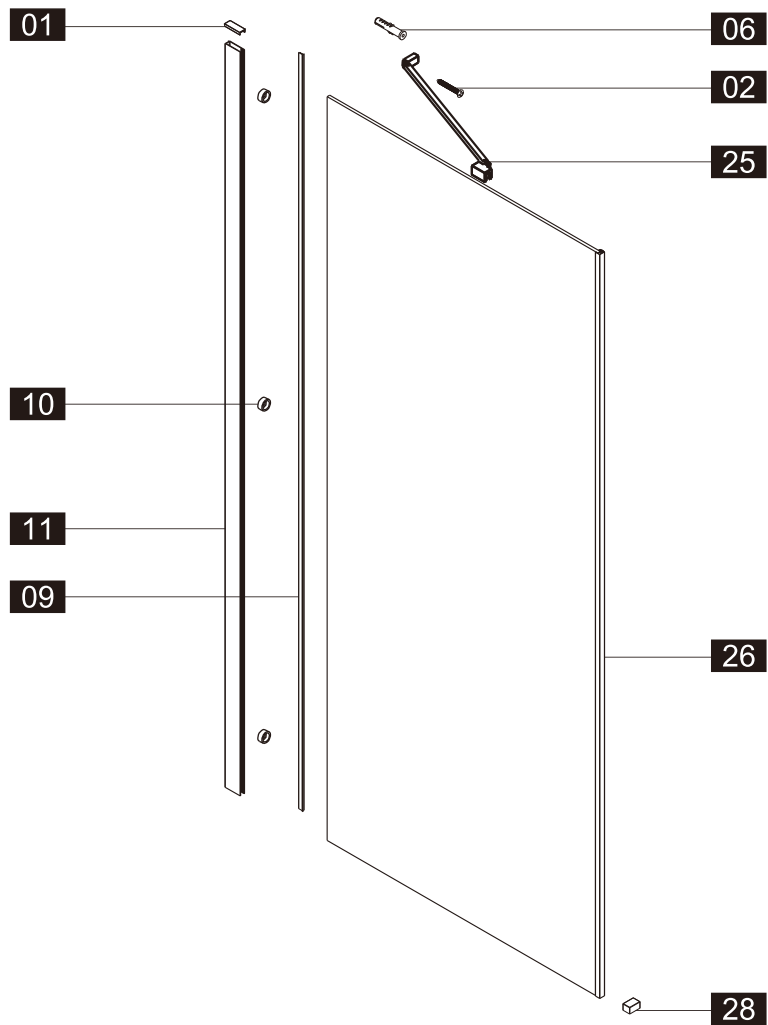
Parts List

Part Number	Image	Size(mm)	Quantity	Remark
01			1	
02		ST4X35	1	
03			1	
04			1	
05			1	
06			7	
07		ST4X40	6	
08		1820	1	Seal
09		1900	1	Seal
10			3	
11		1900	1	Aluminum profile
12			1	L Side
13			1	Seal
14			1	Aluminum profile
15		1886	1	Seal
16		1900	1	Seal
17		1900	1	Aluminum profile
18			1	
19			1	
20			1	
21			1	R Side
22		2.0mm	1	
23		4.0mm	1	
24			1	



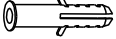
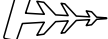

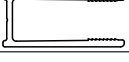




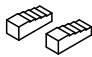
L



R

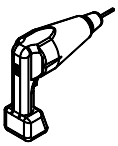


Parts List

Part Number	Image	Size(mm)	Quantity	Remark
01			1	
02		ST4X35	1	
06			1	
09		1900	1	Seal
10			3	
11		1900	1	Aluminum profile
25			1	
26			1	
27			1	L Side
28			1	R Side
29			2	

You will need

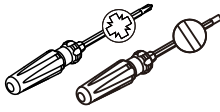
To assemble your product (Tools not provided).



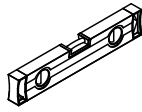
Drill



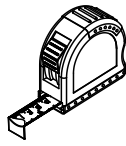
Drill Bit



Screw Driver



Level



Tape Measure



Pencil



Mallet

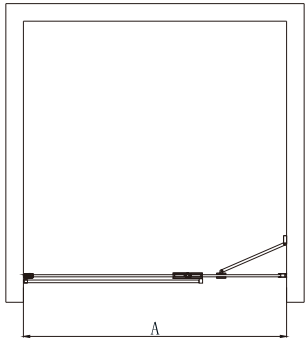


Silicon Gun



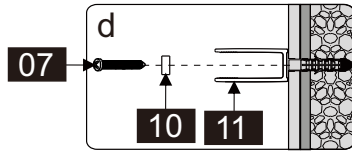
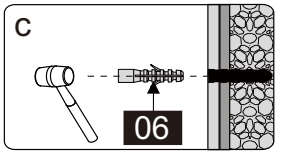
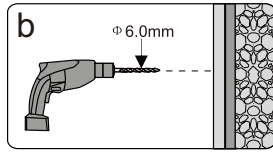
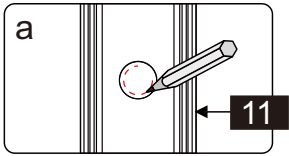
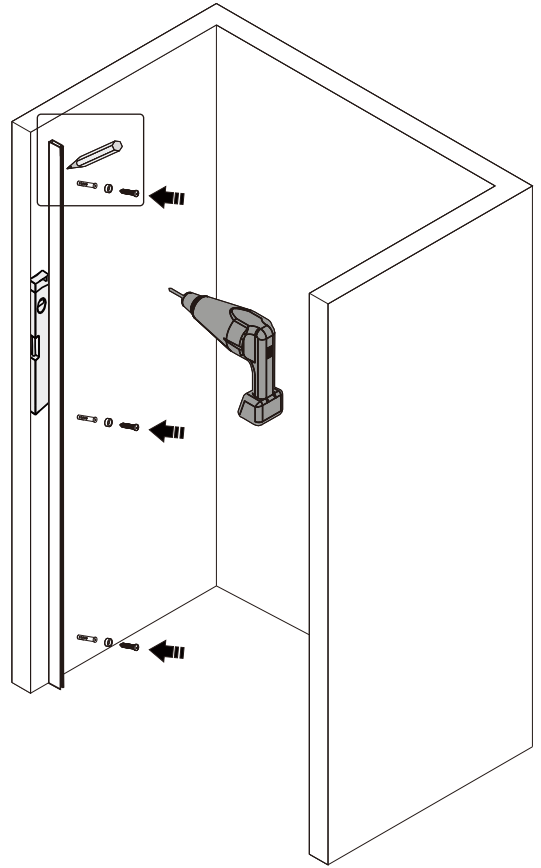
Craft Knife

01

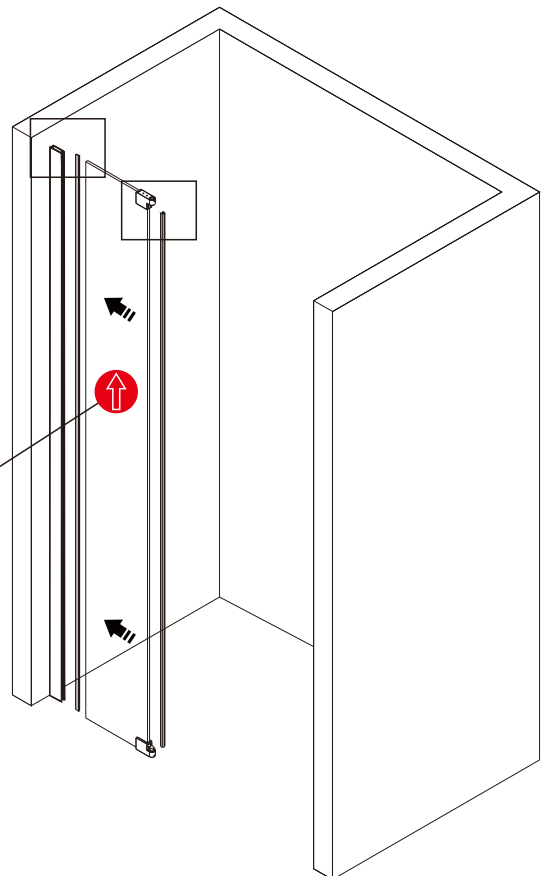
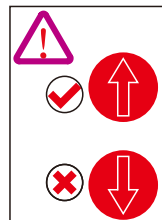
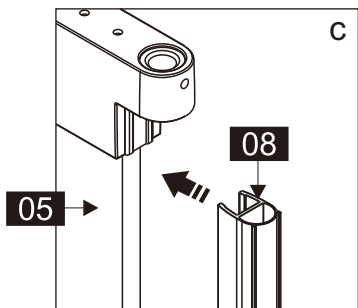
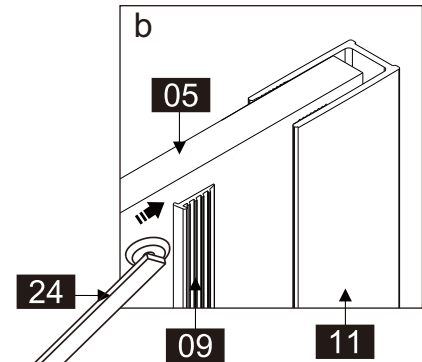
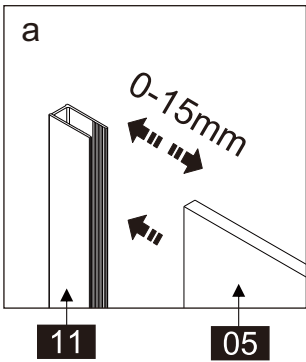


SIZE	A
41181	775~790
41182	875~890
41183	975~990
41184	1075~1090
41185	1175~1190
41186	1275~1290
41187	1375~1390

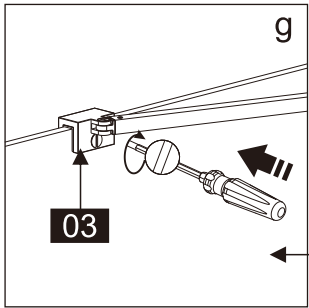
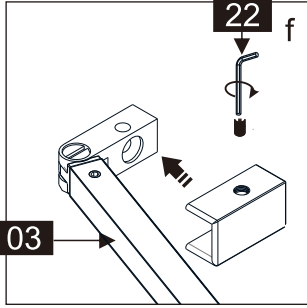
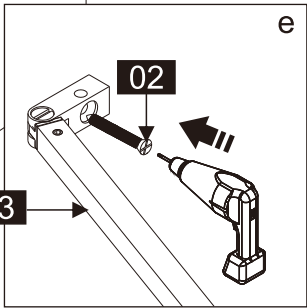
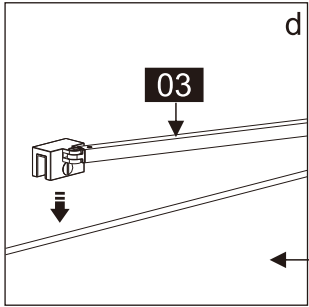
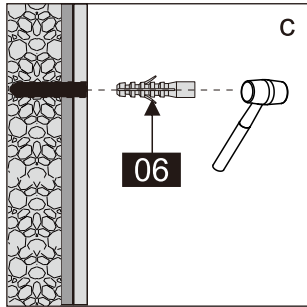
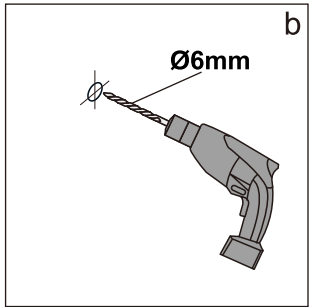
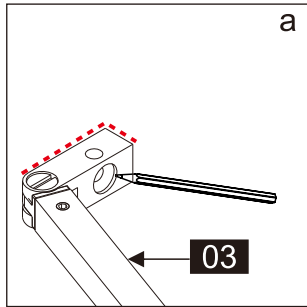
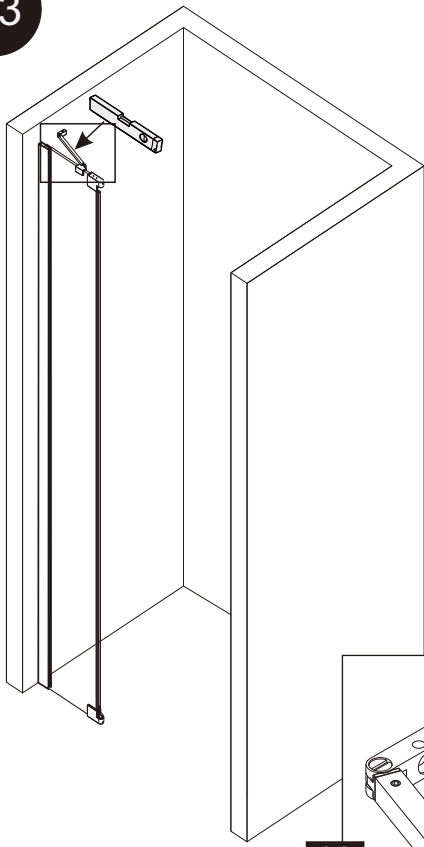
Note:
In consideration of the influence of walls and tiles, the actual installation size will be smaller than the size declared on the website, but it will not affect the normal usage. The adjustment shall be subject to the manual instructions.



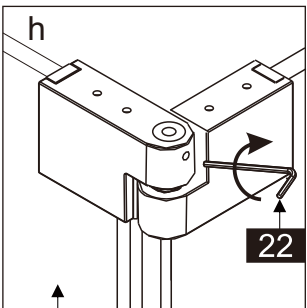
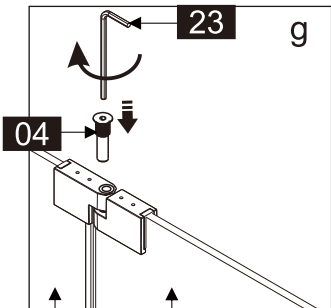
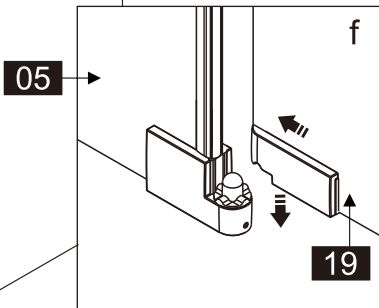
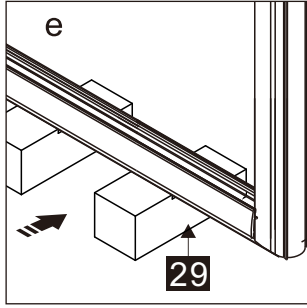
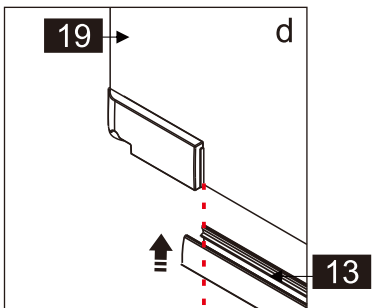
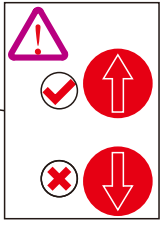
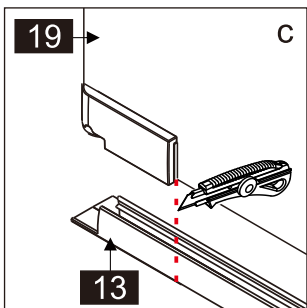
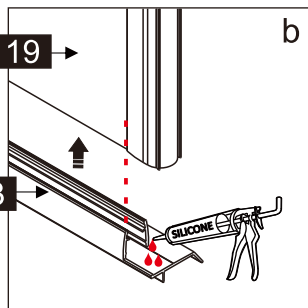
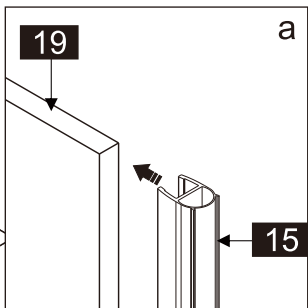
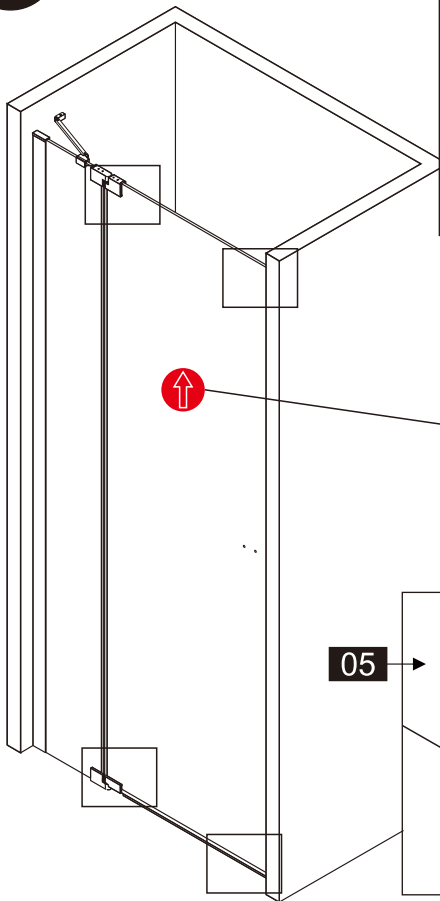
02



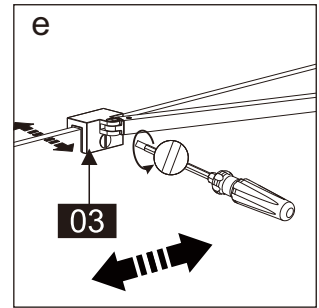
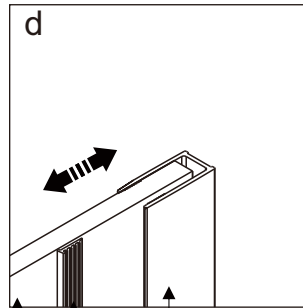
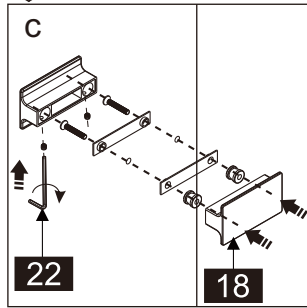
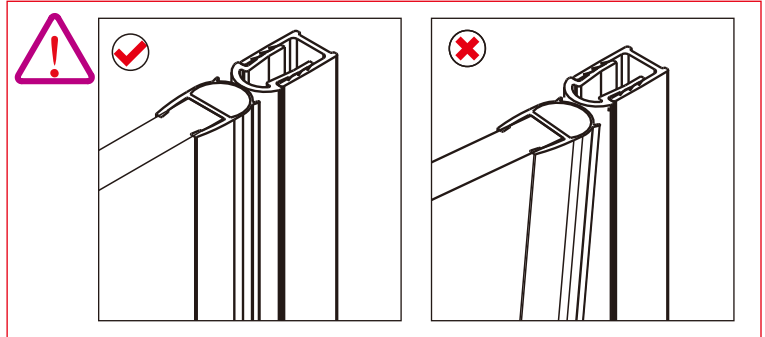
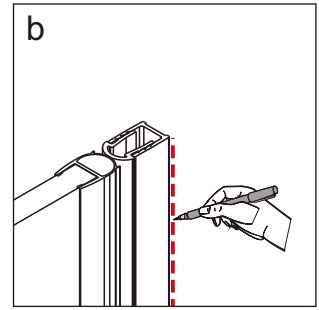
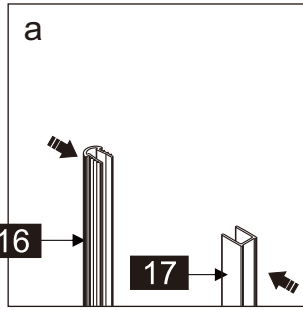
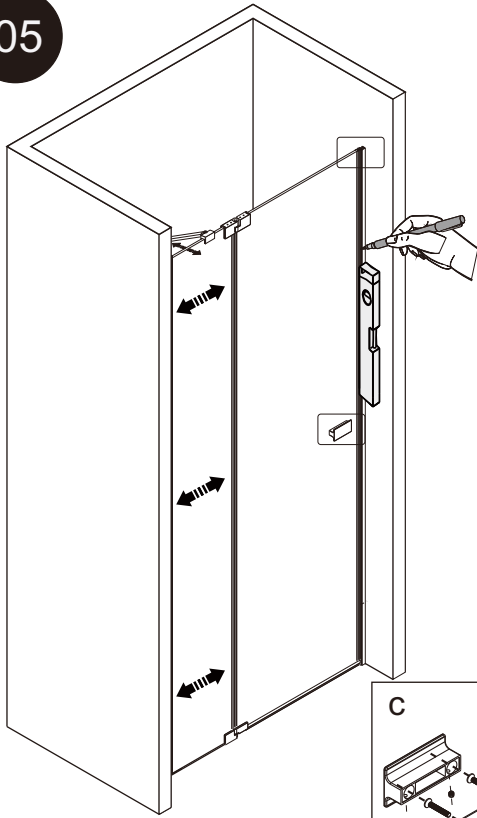
03



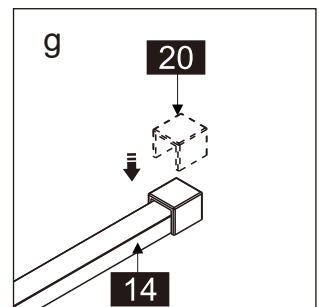
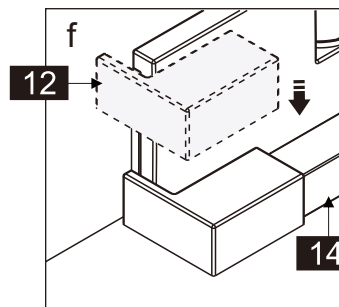
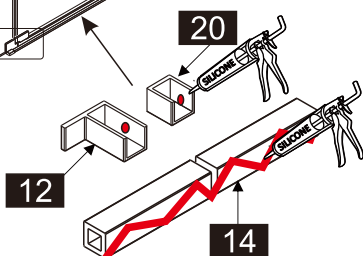
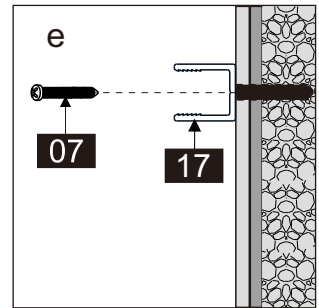
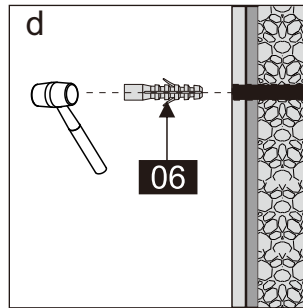
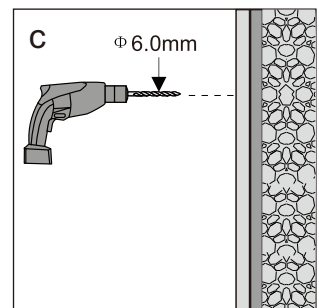
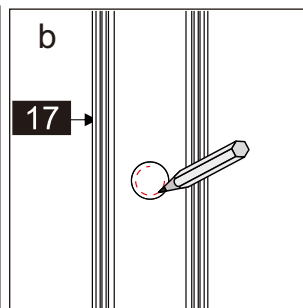
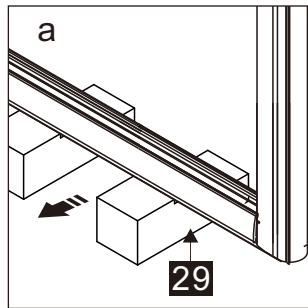
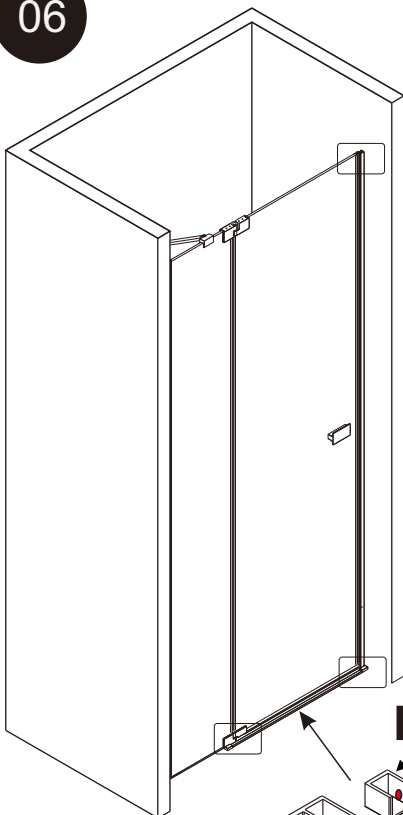
04

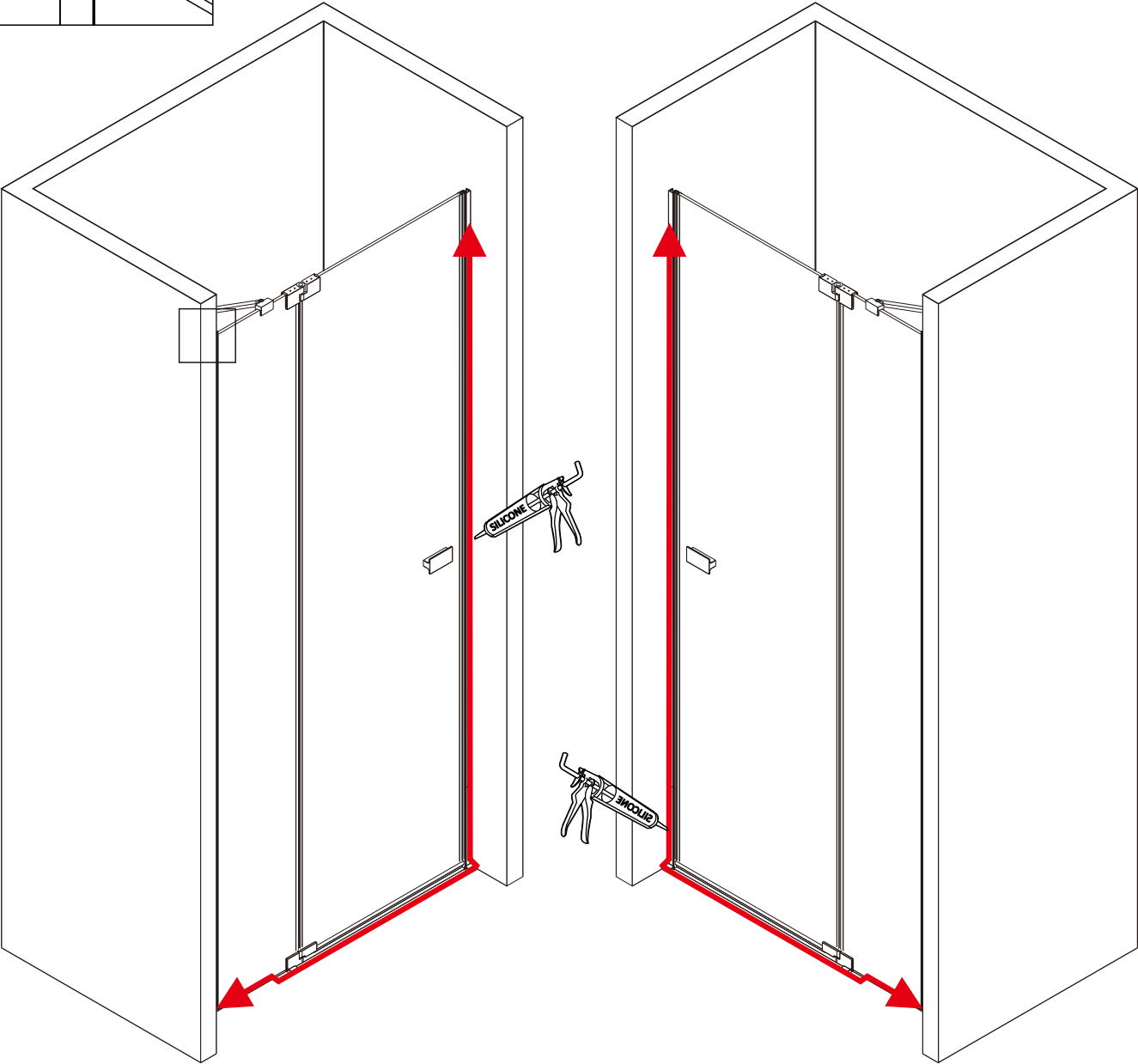
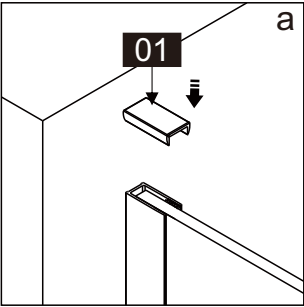


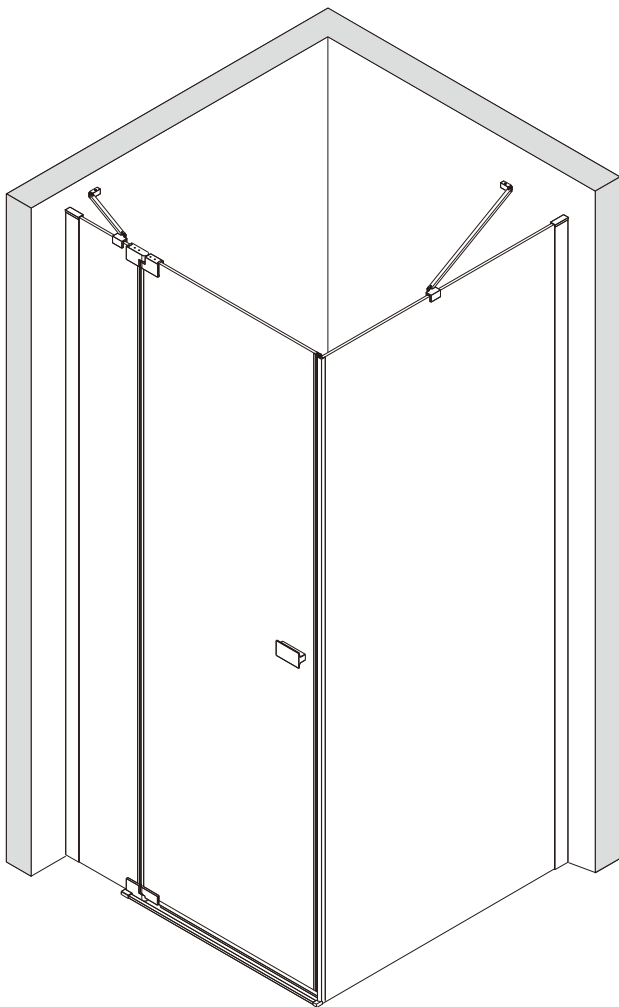
05



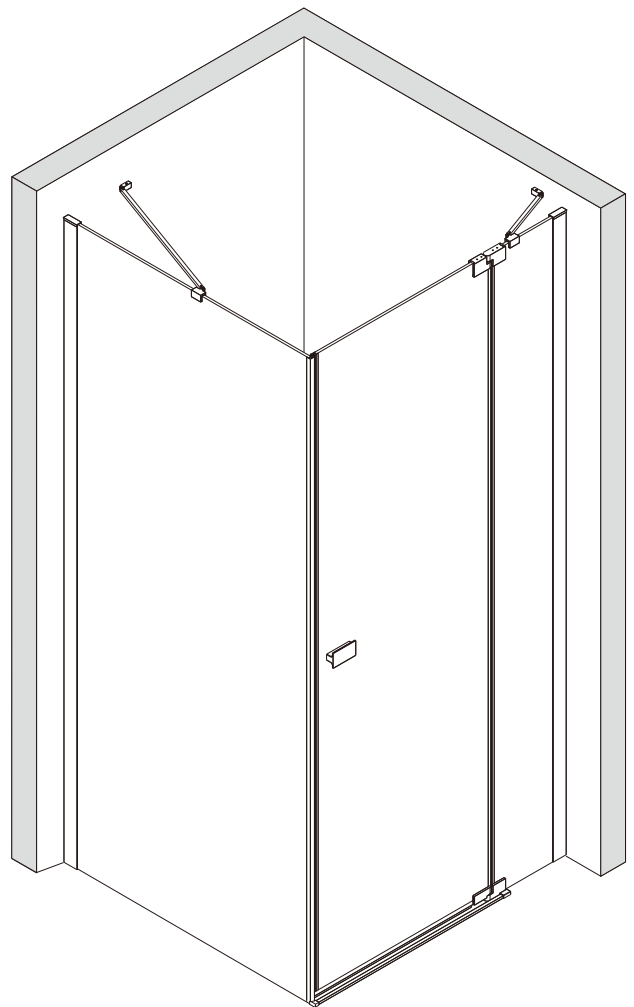
06







L



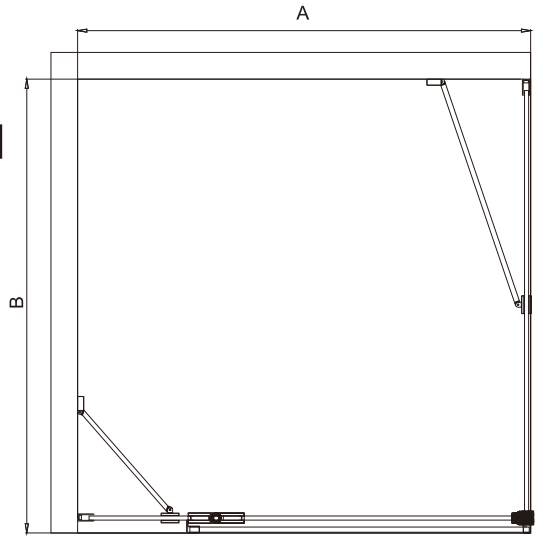
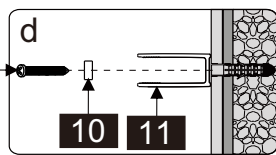
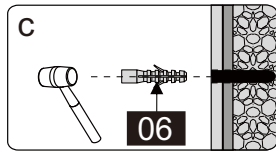
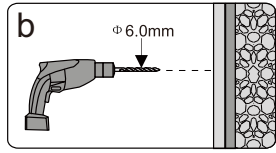
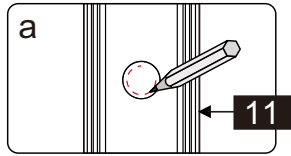
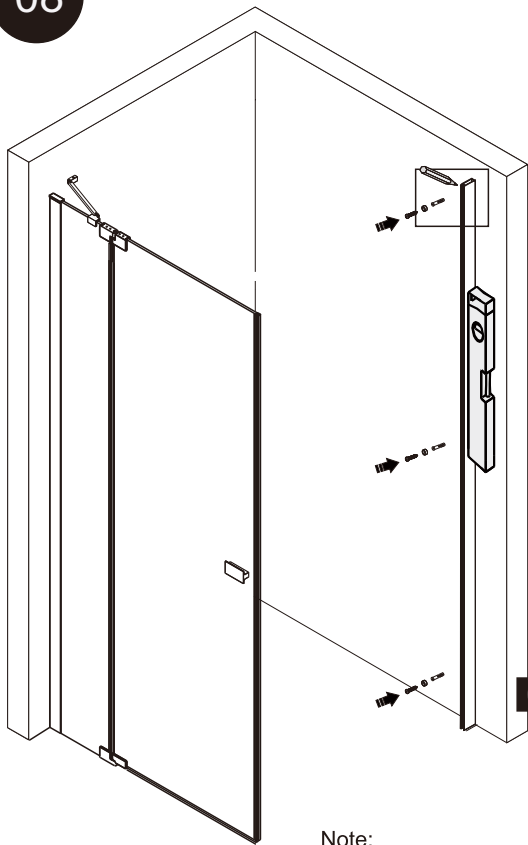
R

41181	800
41182	900
41183	1000
41184	1100
41185	1200
41186	1300
41187	1400

+

43048	800
43049	900

08



SIZE	A
41181	775~790
41182	875~890
41183	975~990
41184	1075~1090
41185	1175~1190
41186	1275~1290
41187	1375~1390
SIZE	B
43048	775~790
43049	875~890

Note:
In consideration of the influence of walls and tiles, the actual installation size will be smaller than the size declared on the website, but it will not affect the normal usage. The adjustment shall be subject to the manual instructions.

09

