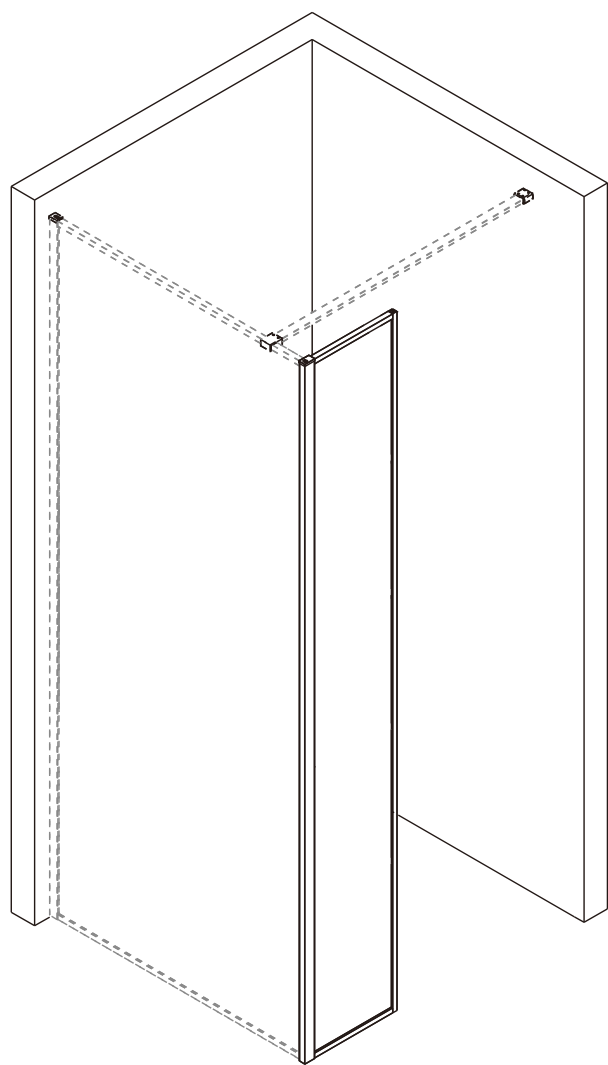
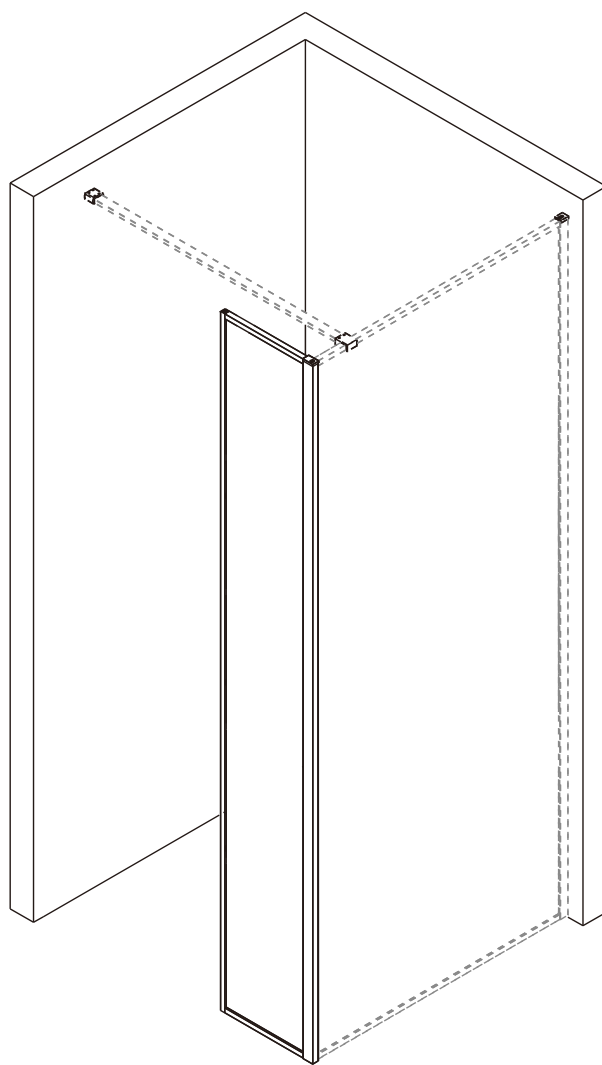


Installation Manual



L



R

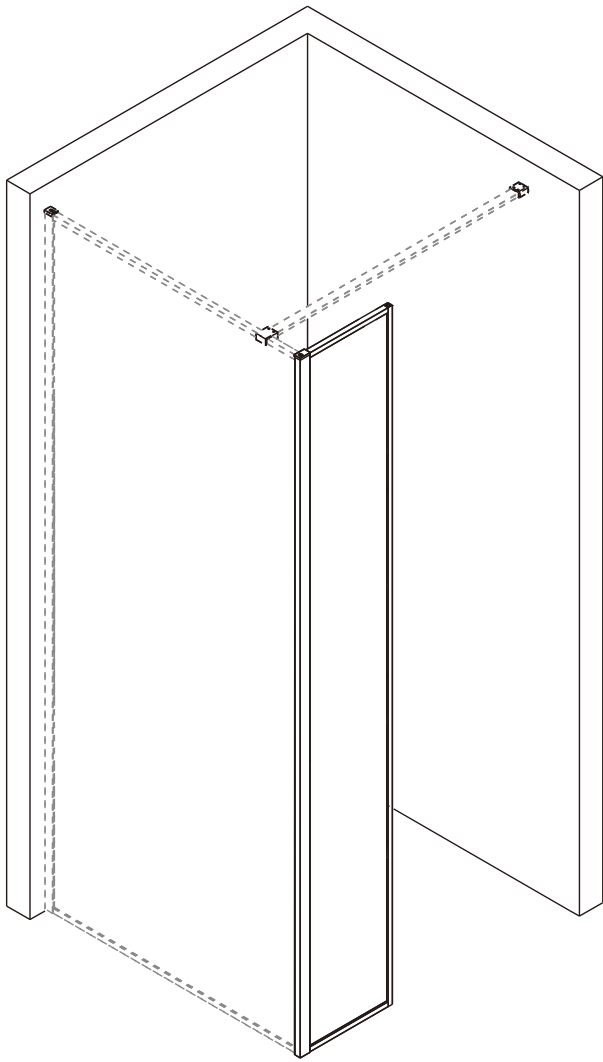
Apply for following models:

43058/43062

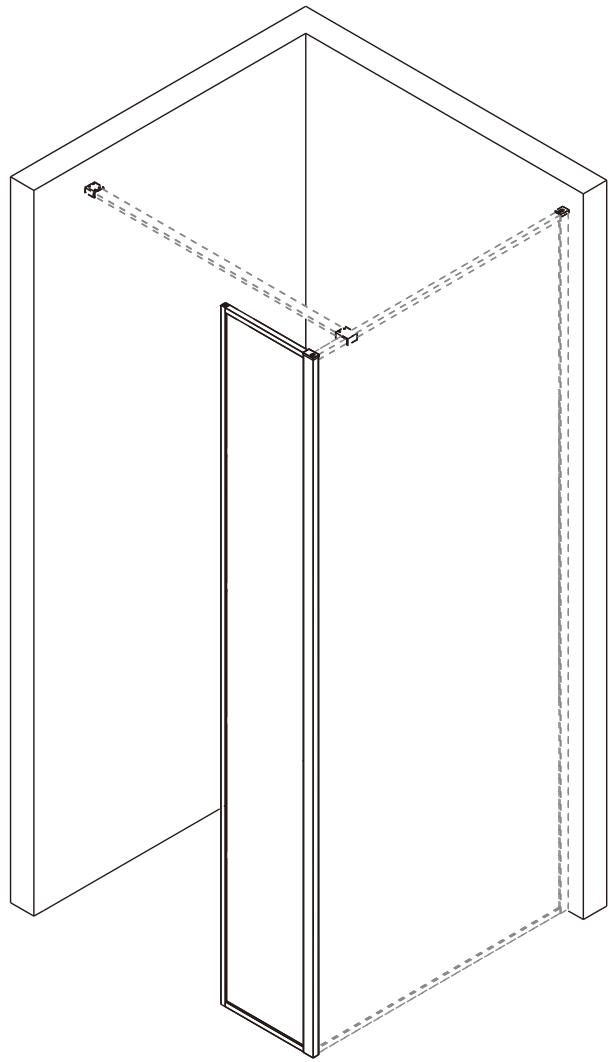
Please keep this page for your online registration.

No. FIENSEB42V3.0



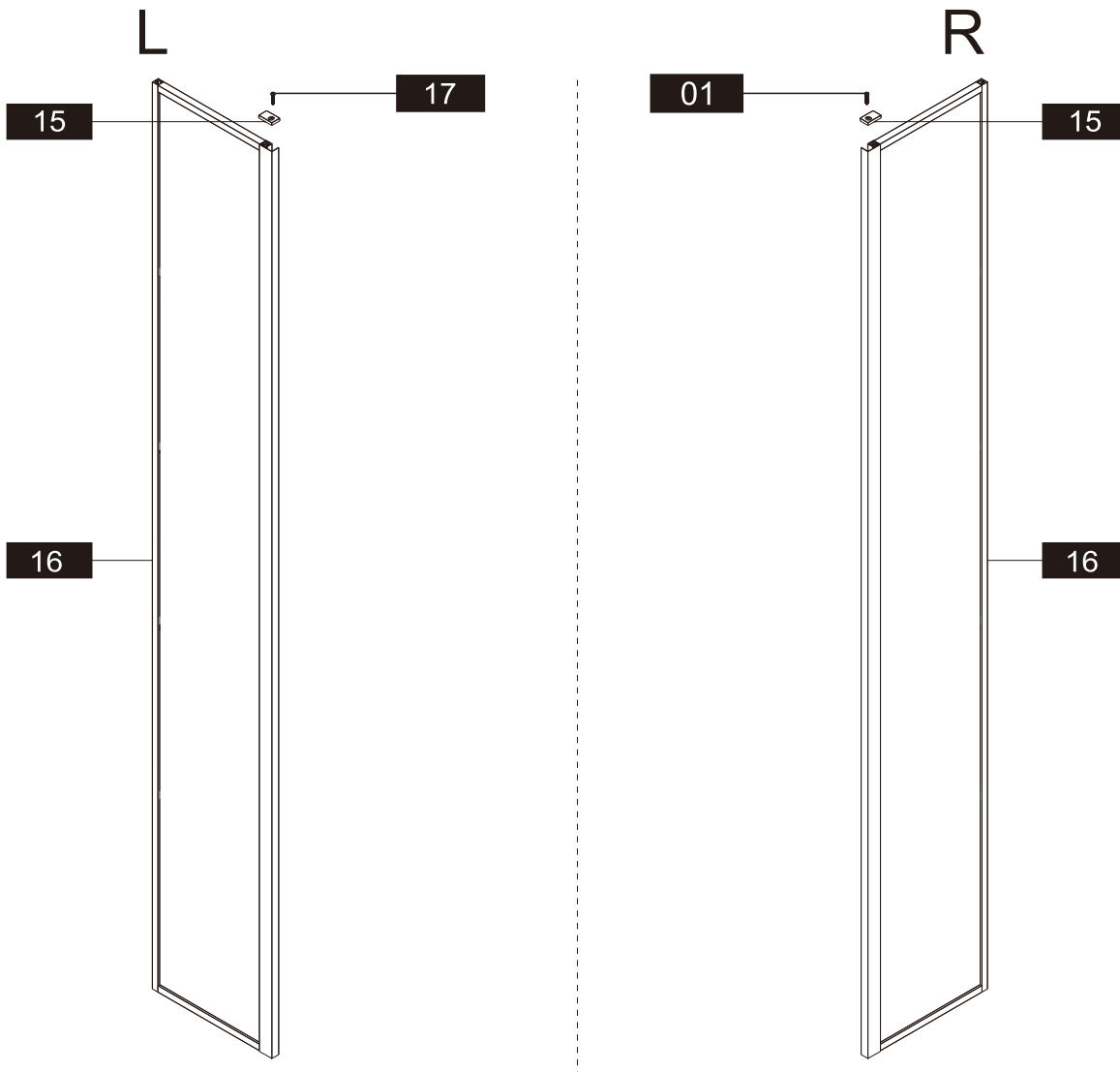


L







R

43058	250
--------------	------------



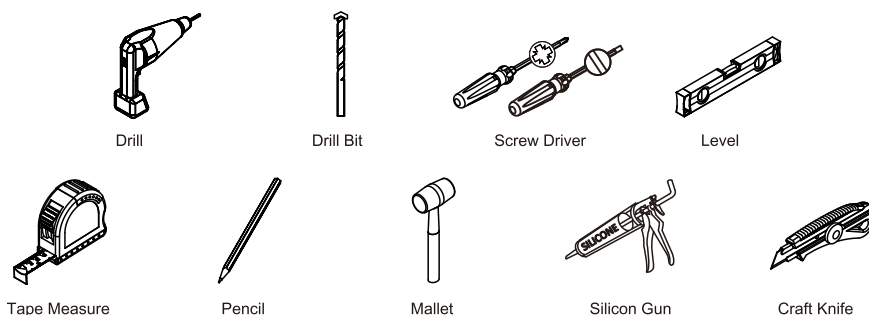
Attention: Before installation, please check whether the number and type of accessories are correct, and then install them. If there is any problem, please inform us as soon as possible. Thank you!

Parts List

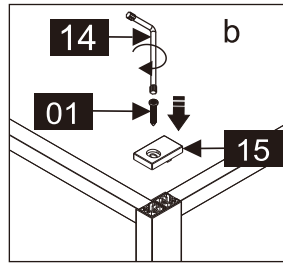
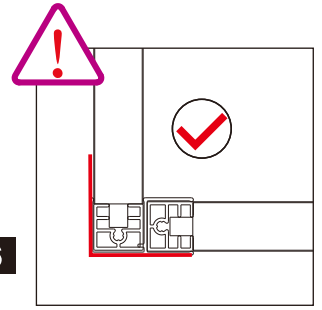
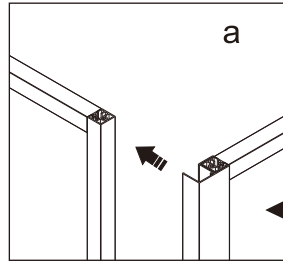
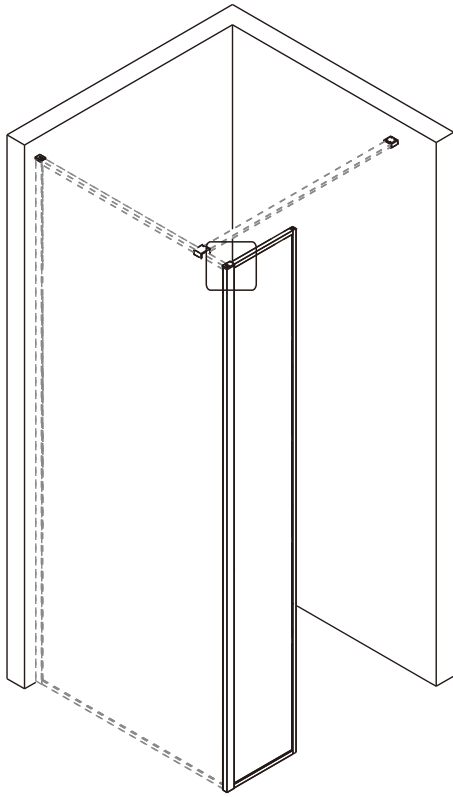
Part Number	Image	Size(mm)	Quantity	Remark
01		ST3.5x19	1	
15			1	
16			1	
17			1	

You will need

To assemble your product (Tools not provided).



01



02

