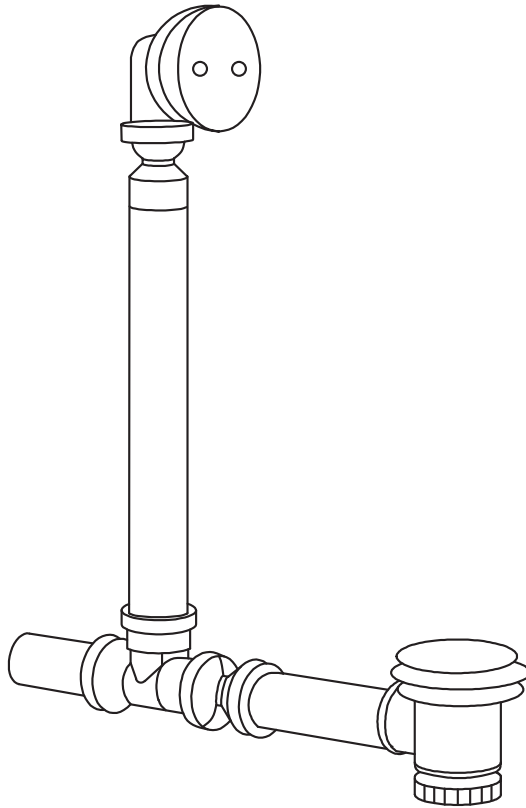


Installation Manual



Apply for following models

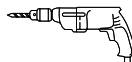
55009/55010/55027

Please keep this page for your online registration.

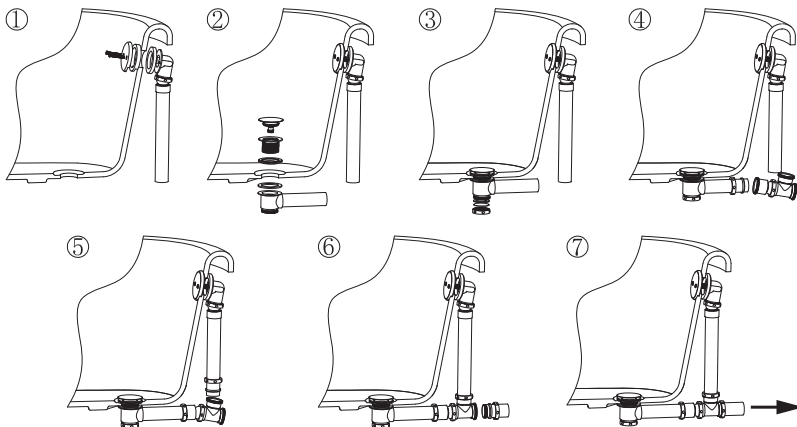
NO.FIACBRB01V1.0



TOOLS YOU MIGHT NEED



Installation method A



Installation method B

