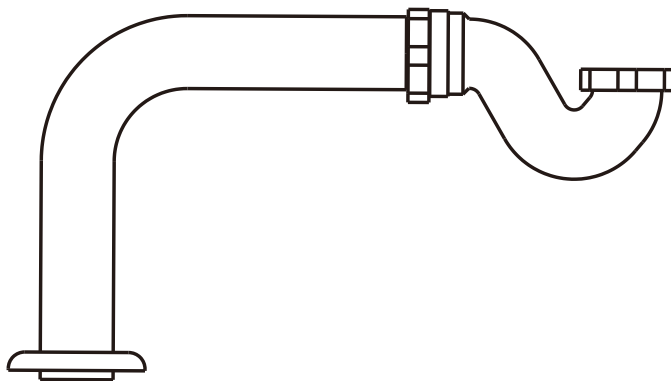


# Installation Manual



Apply for below freestanding bath

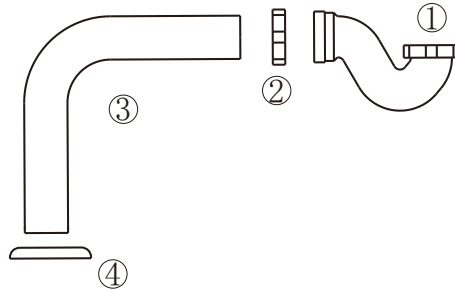
55099

Please keep this page for your online registration.

NO.FIACBRB05V1.0



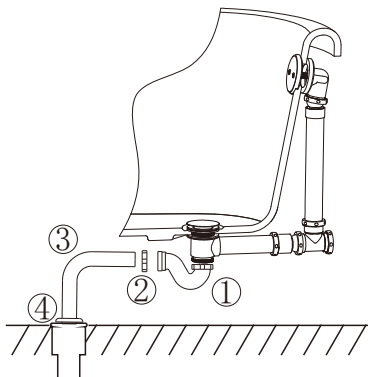
**TOOLS**  
YOU MIGHT NEED



Remark:

Insert the rubber seal into the joints, do the sealing well

**Installation method A**



**Installation method B**

