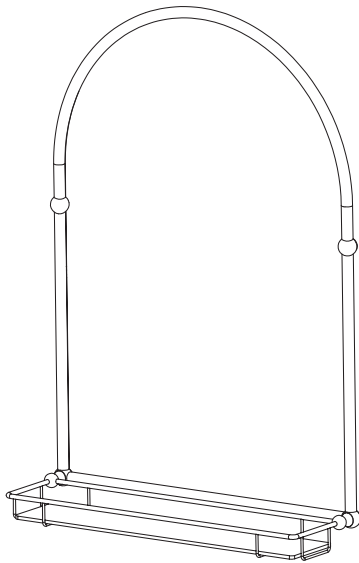


Installation Manual



Apply for following models
73628/73629/73630

Product image for reference

INSTALLATION RECOMMENDATIONS:

Please handle the mirror with care to avoid any damage. It is essential to thoroughly inspect all products before installation as damaged products cannot be replaced once installed. To ensure a correct installation, please read and follow these instructions carefully.

Before starting the installation, consider the following important points:

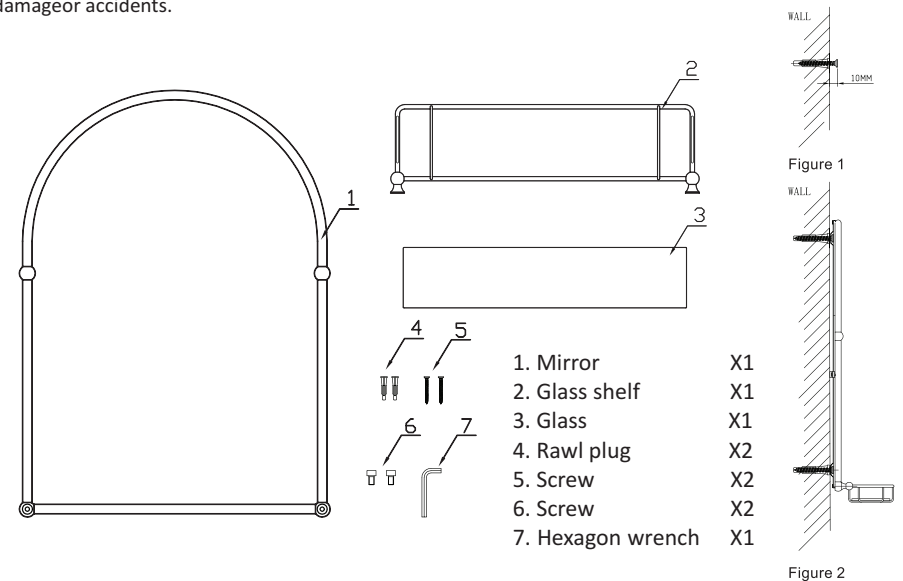
Check for hidden wires, cables, or water supply pipes behind the wall before drilling. Ensure you avoid damaging any existing installations.

When using power tools, always prioritize safety and wear protective goggles.

INSTALLATION STEPS:

1. Begin by measuring the desired position for the mirror.
2. Take out the shelf and securely attach it to the mirror.
3. Measure the height from the top of the frame to the center of the central hole.
4. Use a ruler and level to draw a straight line on the wall, approximately at the height of the mirror. This line will serve as a reference for the fixture's placement.
5. Locate the center of the two keyhole fittings on the back of the mirror.
6. Mark two spots on the previously drawn line as the drilling points.
7. Using an electric drill, carefully create holes at the marked spots and insert rawl plugs into the holes.
8. Insert screws into the rawl plugs, leaving approximately 10 mm of the screw extended away from the wall (refer to Figure 1).
9. Place the mirror onto the screws, aligning it with the fittings on the back (refer to Figure 2).
10. Finally, insert the glass into the shelf, ensuring a secure fit.

By following these instructions, you can successfully install the mirror while minimizing the risk of any damage or accidents.



Aftercare:

The end user is required to regularly maintain and clean product using warm soapy water and a soft cloth for the product warranty to be valid.

Surfaces should be maintained using a clean damp cloth, no corrosive and abrasive agents or materials should be used or come into contact with the surface finish, as this will invalidate your product warranty.

Please keep this page for your online registration.

No. FIACBHO8V1.0

