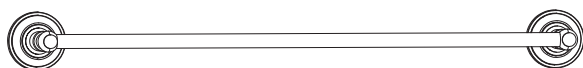


# Installation Manual



Apply for following models

**91087/91088/91097/91098**

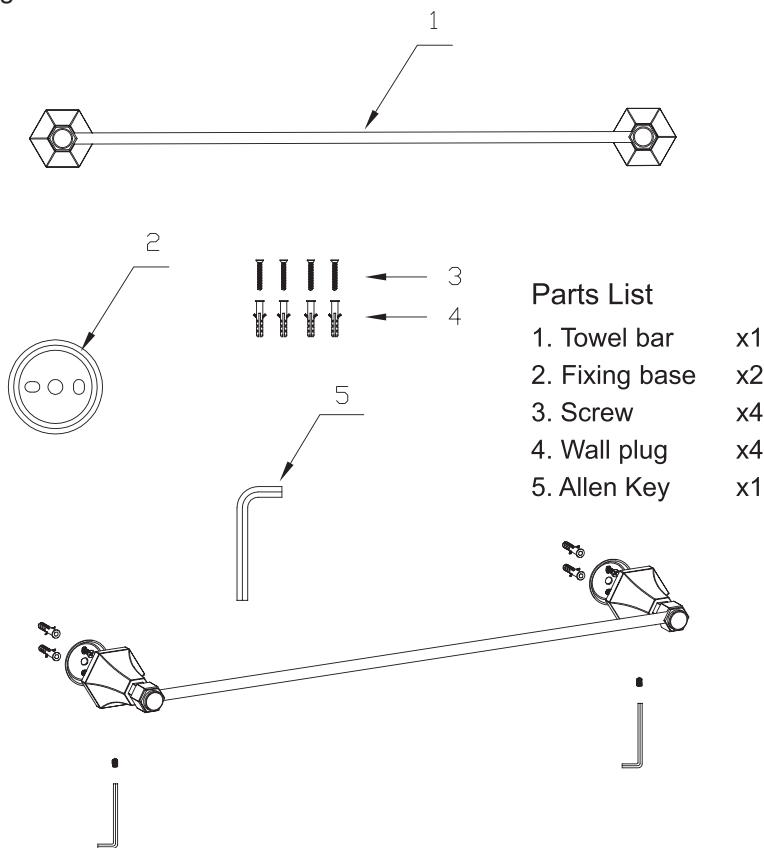
Please keep this page for your online registration.

No. FIACTBH04V1.0

Product image for reference



1. Before installation, check that all components are present.
2. First, place the two fixing bases (2) in the desired hanging position and mark the positions of the screw holes. Note: Ensure the back of the bases is flat against the wall.
3. Drill holes at the marked positions using an electric drill, then insert the wall plugs (4) into the drilled holes.
4. Position the two fixing bases (2) over the holes and install the screws (3). Tighten the screws securely.
5. Install the towel bar (1) into the fixing bases (2) and secure it using the grub screws located at the bottom. Tighten the grub screws until the bar is firmly held against the wall.



**Aftercare:**

The end user is required to regularly maintain and clean product using warm soapy water and a soft cloth for the product warranty to be valid.

Surfaces should be maintained using a clean damp cloth, no corrosive and abrasive agents or materials should be used or come into contact with the surface finish, as this will invalidate your product warranty.