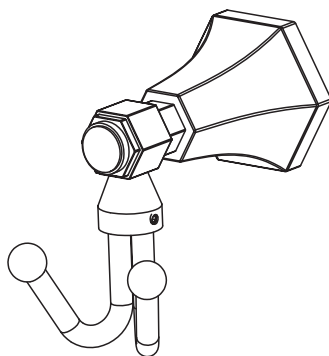
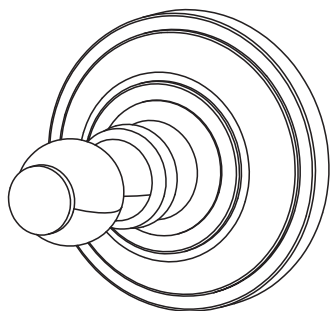


Installation Manual



Apply for following models
91089/91090/91099/91100

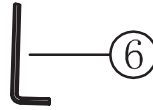
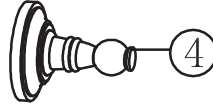
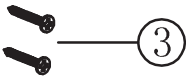
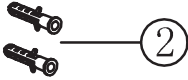
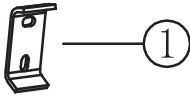
Please keep this page for your online registration.

No. **FIACBH01V1.0**

Product image for reference



PARTS LIST



No.	Name	QTY
1	Fixed Base	1
2	Wall Plug	2
3	Screw	2
4	Robe Hook	1
5	Grub Screw	1
6	S2.5 Allen Key	1

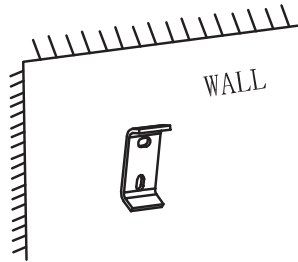
CARE & CLEANING

Your new product is designed for years of trouble-free performance. Keep it looking new by cleaning it periodically with mild soap, rinse thoroughly with warm water and dry with a clean, soft cloth. Do not use abrasive cleaners, steel wool or harsh chemicals, as these will dull the finish. Failure to follow these instructions may void your warranty.

INSTALLATION PROCEDURE

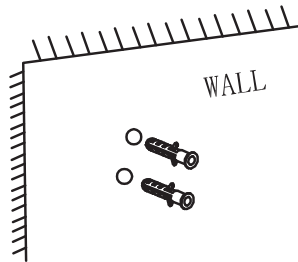
1

Place the fixed base (1) on the wall of the mounting position and mark the position of screw holes on the wall.



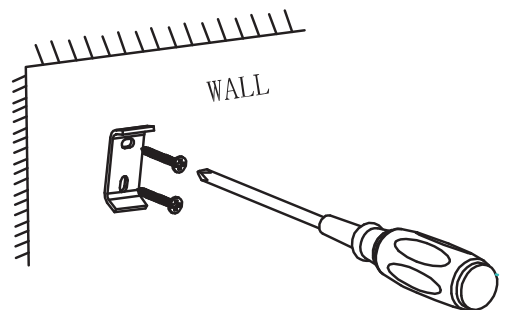
2

Drill the two holes on the wall according to the marked position and insert the wall plugs (2) into the holes.



3

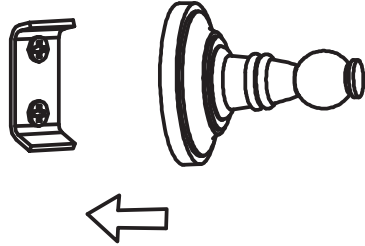
Use the screwdriver to install the fixed base (1) and screws (3) firmly on the wall.



INSTALLATION PROCEDURE

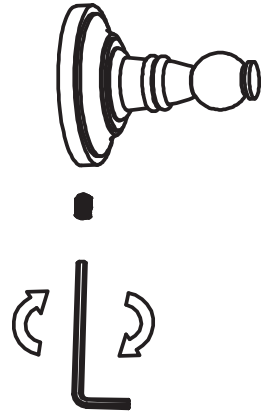
4

Push the robe hook (4) on the fixed base (1). Adhere to the wall.



5

Adjust the direction of the robe hook, lock the robe hook by tighten the grub screw (5) with Allen Key(6).



6

Installation complete.

