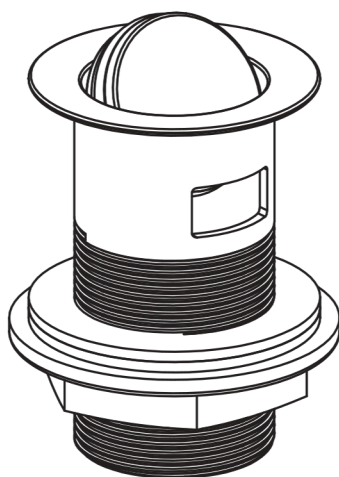
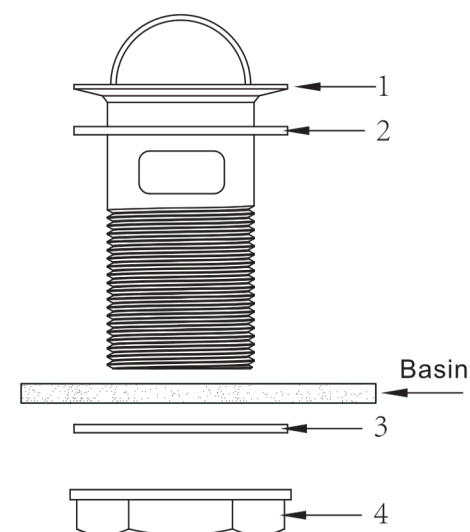


Installation Manual



1. Identify all components are present prior to installation.
 2. Fit the waste body(1) and washer (2) into the basin.
 3. Fit the washer (3) underneath the basin as shown in the diagram, then secure by tightening the backnut (4).
- Use silicone sealant where necessary.
4. Check all joints and connections for leaks.

- | | |
|---------------|----|
| 1. Waste body | x1 |
| 2. Washer | x1 |
| 3. Washer | x1 |
| 4. Back nut | x1 |



Apply for following models
64096/64097/64098

Please keep this page for your online registration.

No. FIACTBH18V1.0

Product image for reference

Aftercare:

The end user is required to regularly maintain and clean product using warm soapy water and a soft cloth for the product warranty to be valid.

Surfaces should be maintained using a clean damp cloth, no corrosive and abrasive agents or materials should be used or come into contact with the surface finish, as this will invalidate your product warranty.