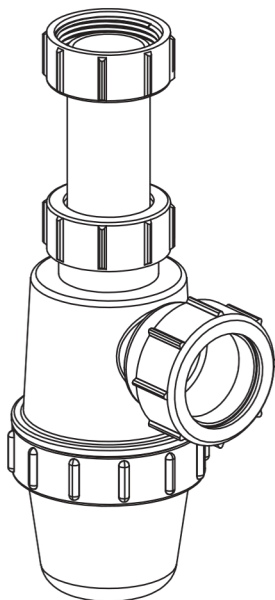


Installation Manual



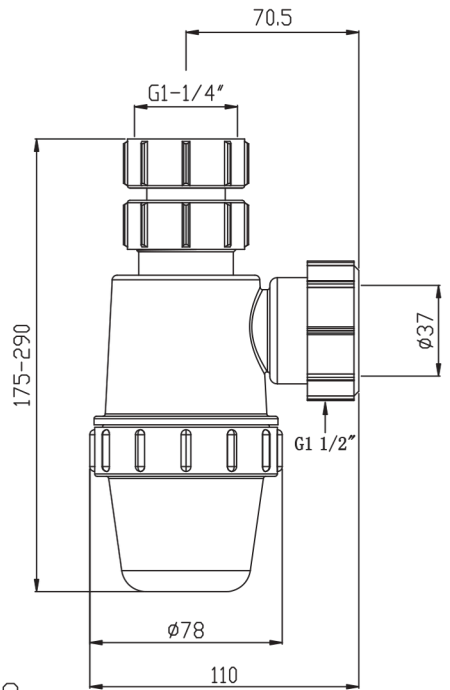
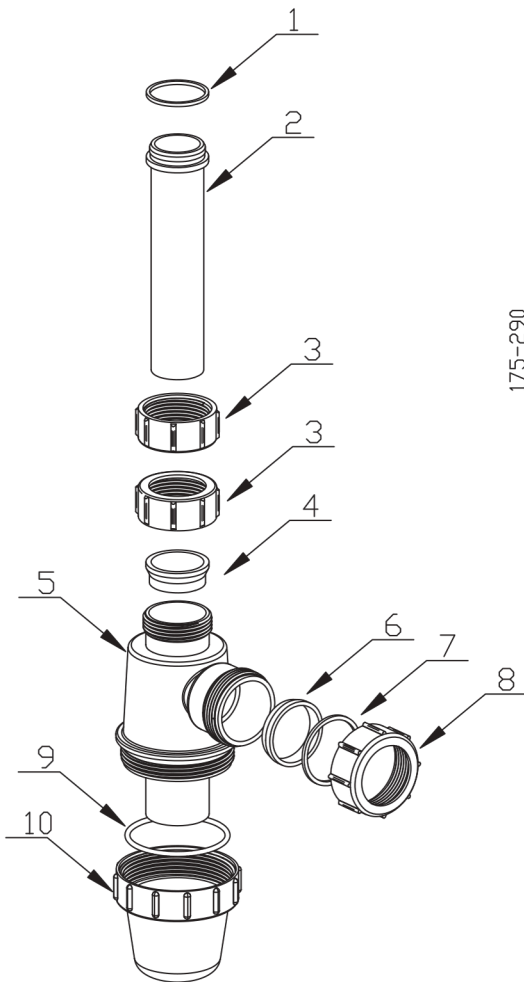
Apply for following models
64102

Please keep this page for your online registration.

No. FIACTBH22V1.0

Product image for reference





Parts List

1. Washer	x1
2. PlasticPipe	x1
3. Nut	x2
4. SealingWasher	x1
5. Bottle TrapBody	x1
6. TaperedWasher	x1
7. PlasticGasket	x1
8. Nut	x1
9. O-Ring	x1
10. SealingCap	x1

Aftercare:

The end user is required to regularly maintain and clean product using warm soapy water and a soft cloth for the product warranty to be valid.

Surfaces should be maintained using a clean damp cloth, no corrosive and abrasive agents or materials should be used or come into contact with the surface finish, as this will invalidate your product warranty.