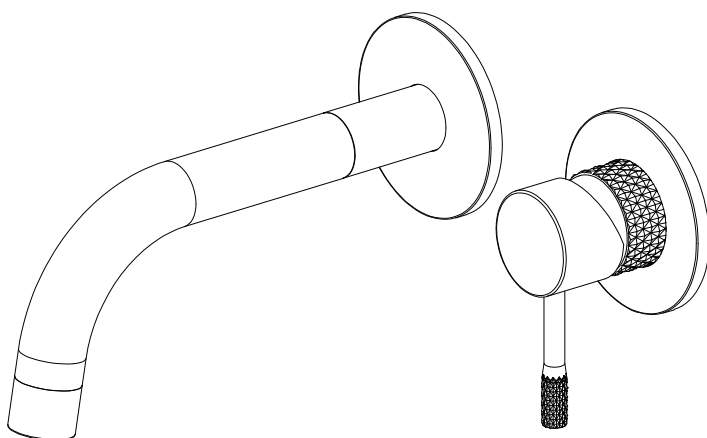


Installation Manual



Apply for following models

11276/11277/11278
11279/11280

Please keep this page for your online registration.

No. FIBTBK02V1.0



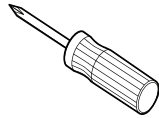
WARNING



CAUTION

If using solder for the installation of the tap; the tap seats, cartridges and washers will have to be removed before heating. Otherwise, the warranty will be voided on these parts.

TOOLS YOU MIGHT NEED



Screwdriver



Electric Drill



Adjustable
Wrench



Hexagon wrench

TECHNICAL DATA

Recommended water pressure: 14.5 - 72.52 psi

Max. Water pressure: 145 psi

Recommended water temp: $\leq 149^{\circ}\text{F}$

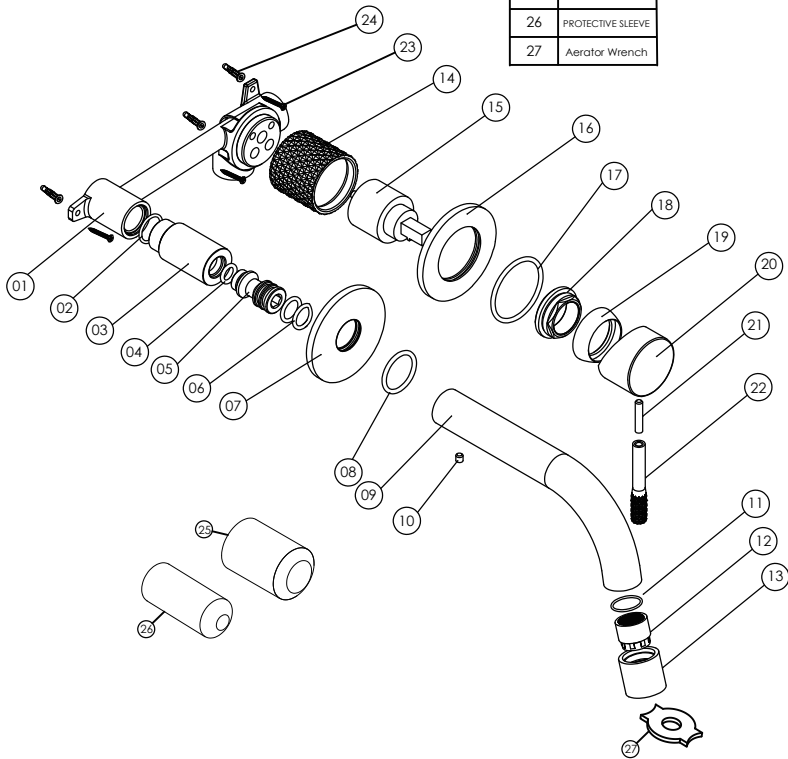
Max. Hot water temp: 194°F

Please know and follow all applicable local plumbing codes when setting the temperature on the water heater.

PARTS LIST

NO.	DESCRIPTION
1	TAP BODY
2	O-RING
3	CONNECT PIPE
4	O-RING
5	OUTLET CONNECTOR
6	O-RINGS
7	FACE PLATE
8	O-RING
9	SPOUT
10	SCREW
11	O-RING
12	AERATOR

NO.	DESCRIPTION
13	AERATOR SHELL
14	CARTRIDGE COVER
15	CARTRIDGE
16	FACE PLATE
17	O-RING
18	CARTRIDGE NUT
19	CARTRIDGE SHROUD
20	HANDLE BODY
21	HANDLE SCREW
22	HANDLE BAR
23	SCREWS
24	WALL PLUGS
25	PROTECTIVE SLEEVE
26	PROTECTIVE SLEEVE
27	Aerator Wrench

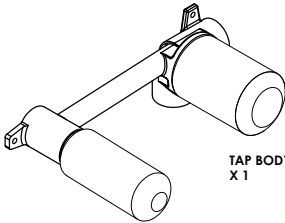






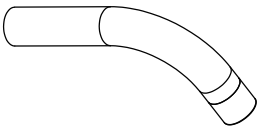



BEFORE INSTALLATION

- ⌘ Observe all local plumbing codes.
- ⌘ Make sure water supply is turned off.
- ⌘ Read these instructions carefully to ensure proper installation.
- ⌘ Cover your drain to avoid losing parts.
- ⌘ Check to make sure you have the following parts indicated below.



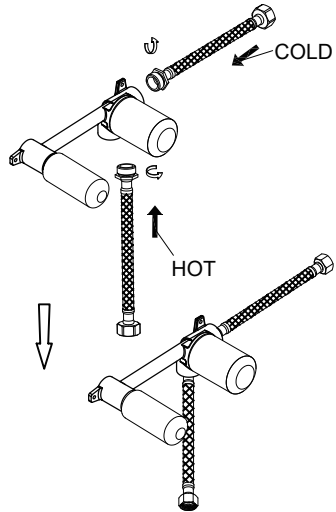
Please check you have all of these items in the box.

 <p>TAP BODY X 1</p>		
 <p>COVER X 1</p>	 <p>COVER X 1</p>	 <p>HANDLE BODY X 1</p>
 <p>SCREW X 1</p>	 <p>HANDLE BAR X 1</p>	 <p>HANDLE SCREW X 1</p>
 <p>SPOUT X 1</p>		 <p>SCREWS AND WALL PLUGS X 3</p>

INSTALLATION PROCEDURE

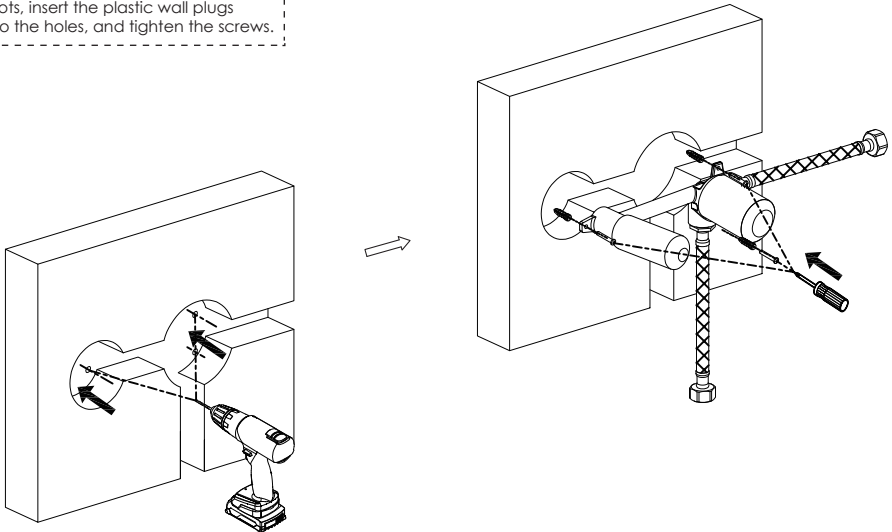
1

After getting out the tap, screw the two knitted hoses into the tap body.



2

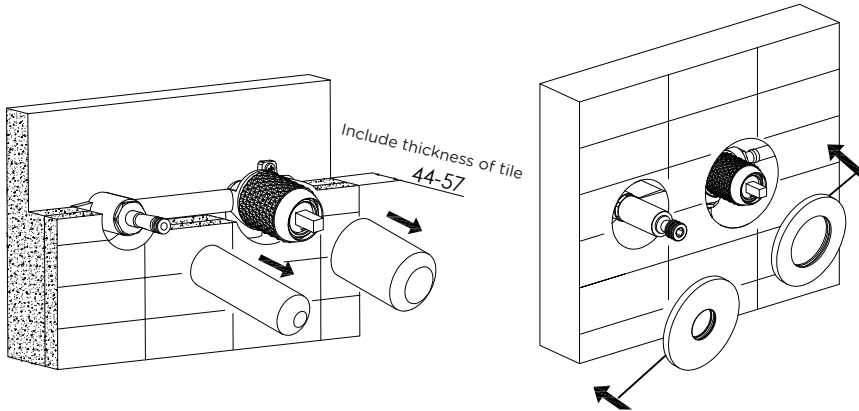
Mark the position first, then drill three holes at the pre-marked spots, insert the plastic wall plugs, and tighten the screws.



INSTALLATION PROCEDURE

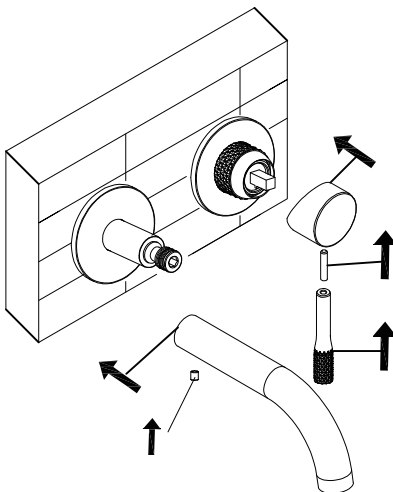
3

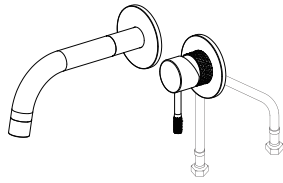
After finishing the tile work and before installing the trim parts, please remove the plastic protective sleeves, then attach the two face plates to the product.



4

Secure the spout with the screw, secure the handle with the handle screw, and then attach the handle bar.





CONNECT WITH COLD WATER PIPE

CONNECT WITH HOT WATER PIPE

AFTER INSTALLATION

Ensure that all connections are tight. Ensure that the handle is in the off position. Turn on the drain and main water supply, and check for leaks. Repair as needed.

CARE & CLEANING

Your new tap is designed for years of trouble-free performance. Keep it looking new by cleaning it periodically with mild soap, rinse thoroughly with warm water and dry with a clean, soft cloth. Do not use abrasive cleaners, steel wool or harsh chemicals, as these will dull the finish. Failure to follow these instructions may void your warranty.

TROUBLE SHOOTING

If you've followed the instructions carefully and your tap still does not work properly, take these corrective steps.

Problem	Possible Cause	Solution
Insufficient water	- Aerator clogged	- Clean aerator, replace if necessary
Mixer stiff	- Cartridge defective	- Replace cartridge
Mixer dripping	- Cartridge defective	- Replace cartridge
Water leaks below handle	- Cartridge defective	- Replace cartridge
	- O-ring/rings defective	- Replace O-ring/rings
Water leaks at the connection	- Loose connection	- Tighten connection