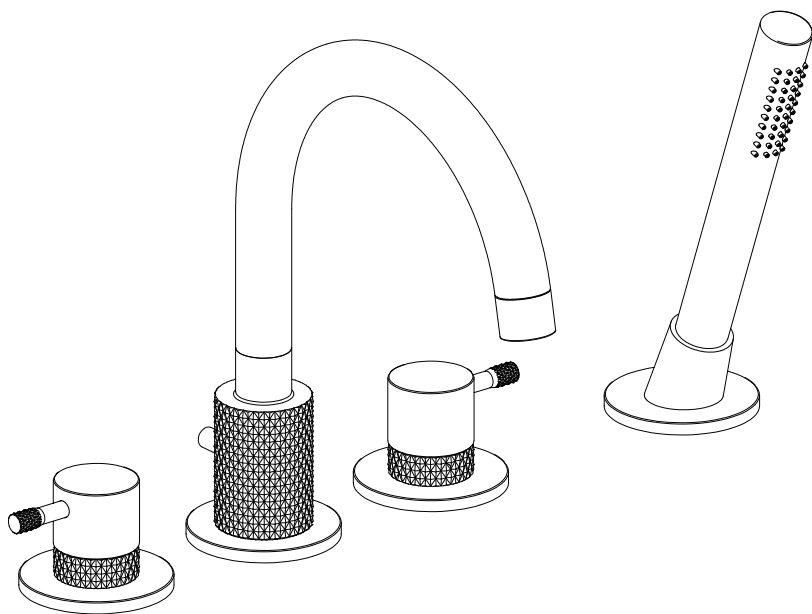


Installation Manual



Apply for following models

12222/12223/12224
12225/12226

Please keep this page for your online registration.

No. FIBTBK03V1.0



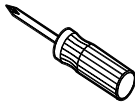
WARNING



CAUTION

If using solder for the installation of the tap; the tap seats, cartridges and washers will have to be removed before heating. Otherwise, the warranty will be voided on these parts.

TOOLS YOU MIGHT NEED



Screwdriver



Adjustable
Wrench



Allen Key

TECHNICAL DATA

Recommended water pressure: 14.5 - 72.52 psi

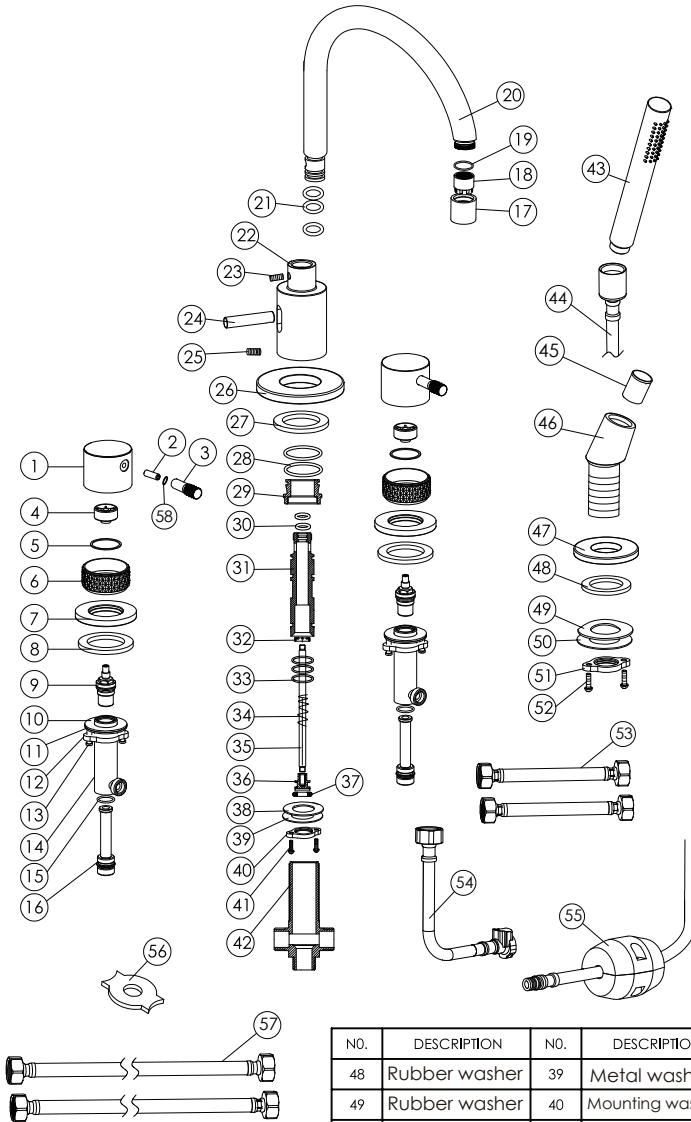
Max. Water pressure: 145 psi

Recommended hot water temp: $\leq 149^{\circ}\text{F}$

Max. Hot water temp: 194°F

Please know and follow all applicable local plumbing codes when setting the temperature on the water heater.

PARTS LIST



NO.	DESCRIPTION
1	Handle body
2	Screw
3	Handle bar
4	Gear sleeve
5	O-Ring
6	Sleeve
7	Base ring
8	Rubber washer
9	Cartridge
10	Rubber washer
11	Metal washer
12	Mounting washer
13	Screws
14	Screwed pipe
15	O-Ring
16	Inlet pipe
17	Aerator shell
18	Aerator
19	O-Ring
20	Spout
21	O-Rings
22	Spout body
23	Screw
24	Lift head
25	Screw
26	Base ring
27	Rubber washer
28	O-Rings
29	Joint
30	O-Rings
31	Inlet pipe
32	O-ring
33	O-Rings
34	Spring
35	Lift bar
36	Lift head
37	O-ring
38	Rubber washer
39	Metal washer
40	Mounting washer
41	Screws
42	Screwed pipe
43	Handheld shower
44	Pull out hose
45	Protective sleeve
46	Shower holder
47	Base ring
48	Rubber washer
49	Rubber washer
50	Metal washer
51	Mounting washer
52	Screws
53	Flexible hoses
54	Quick-connect hose
55	Heavy ball
56	Aerator wrench
57	Flexible hoses
58	O-ring

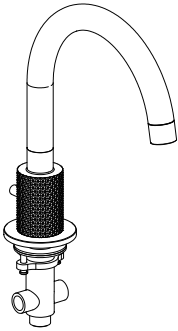
NO.	DESCRIPTION	NO.	DESCRIPTION	NO.	DESCRIPTION
48	Rubber washer	39	Metal washer	30	O-Rings
49	Rubber washer	40	Mounting washer	31	Inlet pipe
50	Metal washer	41	Screws	32	O-ring
51	Mounting washer	42	Screwed pipe	33	O-Rings
52	Screws	43	Handheld shower	34	Spring
53	Flexible hoses	44	Pull out hose	35	Lift bar
54	Quick-connect hose	45	Protective sleeve	36	Lift head
55	Heavy ball	46	Shower holder	37	O-ring
56	Aerator wrench	47	Base ring	38	Rubber washer

BEFORE INSTALLATION

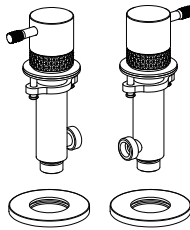
- ⌘ Observe all local plumbing codes.
- ⌘ Make sure water supply is turned off.
- ⌘ Read these instructions carefully to ensure proper installation.
- ⌘ Cover your drain to avoid losing parts.
- ⌘ Check to make sure you have the following parts indicated below.



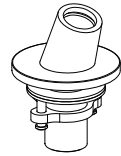
Please check you have all of these items in the box.



SPOUT SET
X 1



HANDLE SET/BASE RING
X 2



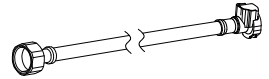
SHOWER HOLDER SET
X 1



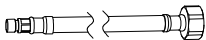
HAND HELD SHOWER
X 1



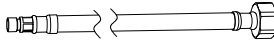
HEAVY BALL
X 1



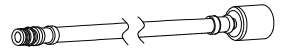
QUICK CONNECT HOSE
X 1



FLEXIBLE HOSE
X 2



FLEXIBLE HOSE
X 2

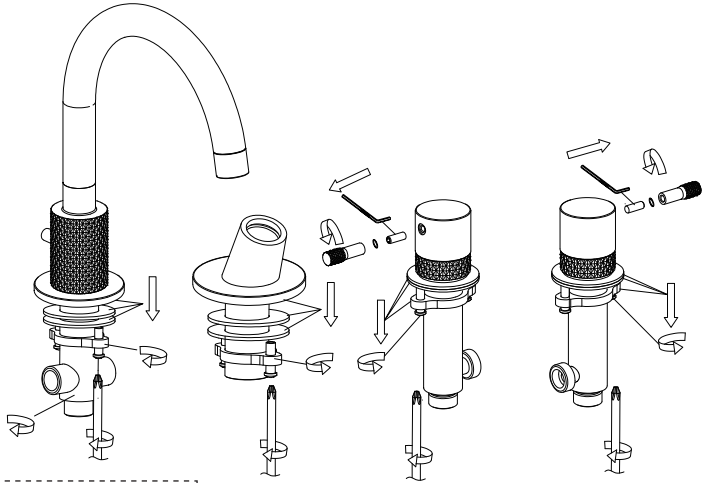


PULL OUT HOSE
X 1

INSTALLATION PROCEDURE

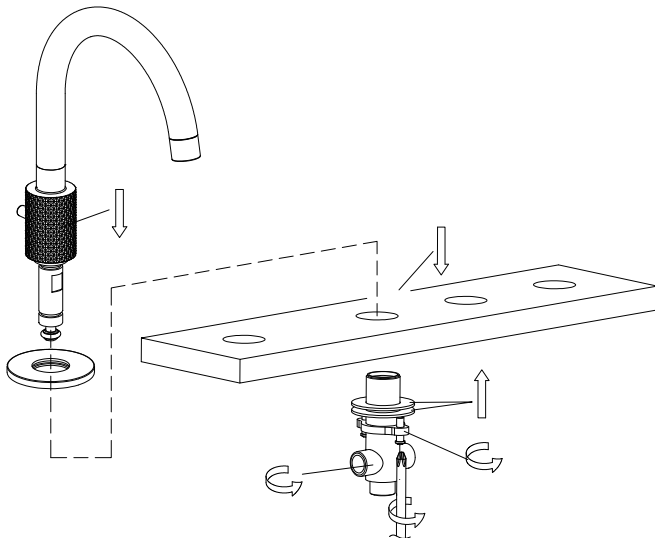
1

Loosen the screw under the spout, remove the screwed pipe, and take off the mounting screws, washers under the other handles. Remove the handle bar and screws.



2

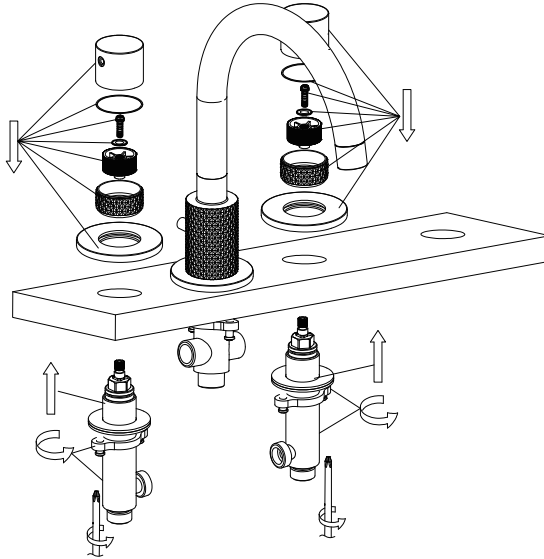
Install the spout onto the bathtub and tighten the bottom mounting screws with washers.



INSTALLATION PROCEDURE

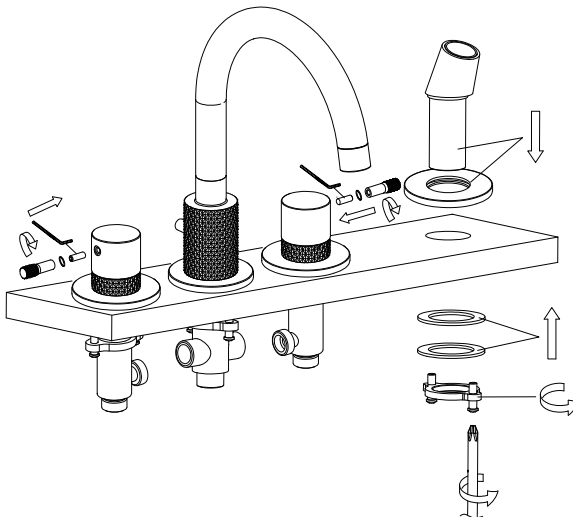
3

Install the handle onto the bathtub and tighten the bottom mounting screws with washers.



4

Install the shower holder onto the bathtub and tighten the bottom mounting screws with washers, lock other handle bars as well.



INSTALLATION PROCEDURE

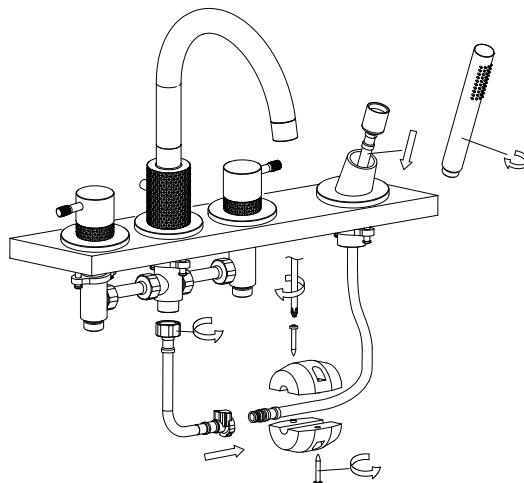
5

Install the flexible hoses to connect the handles and the spout.



6

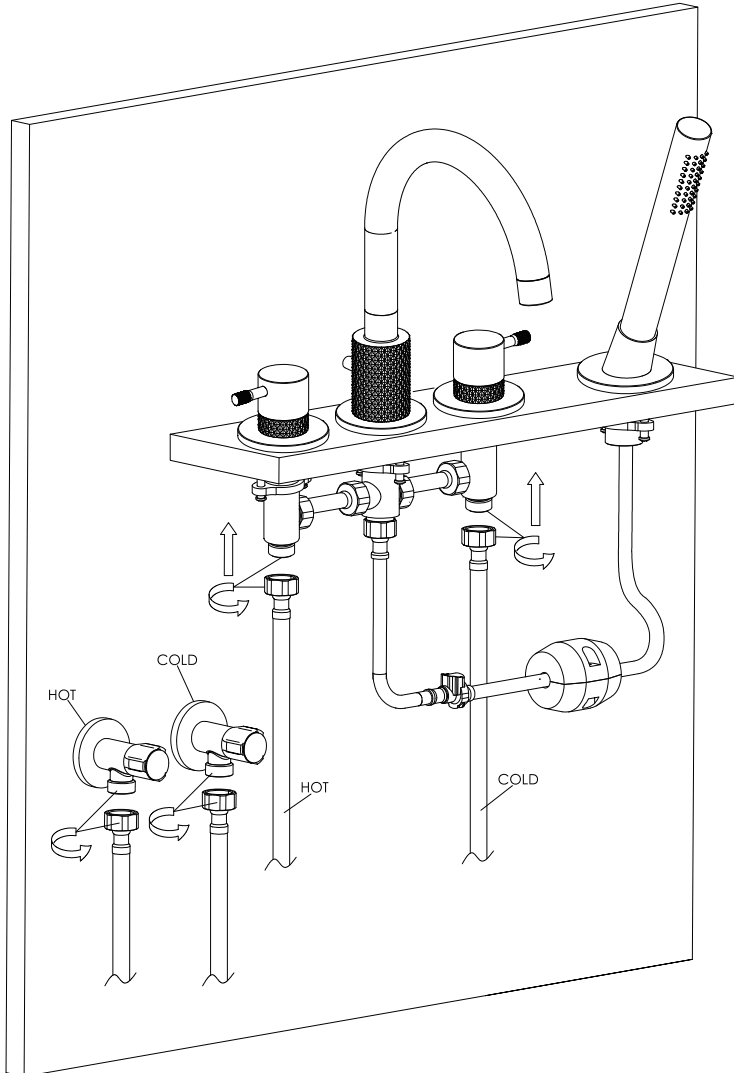
Connect the spout and the pull-out hose with a quick-connect hose, then secure the heavy ball at a suitable position, install the hand held shower.

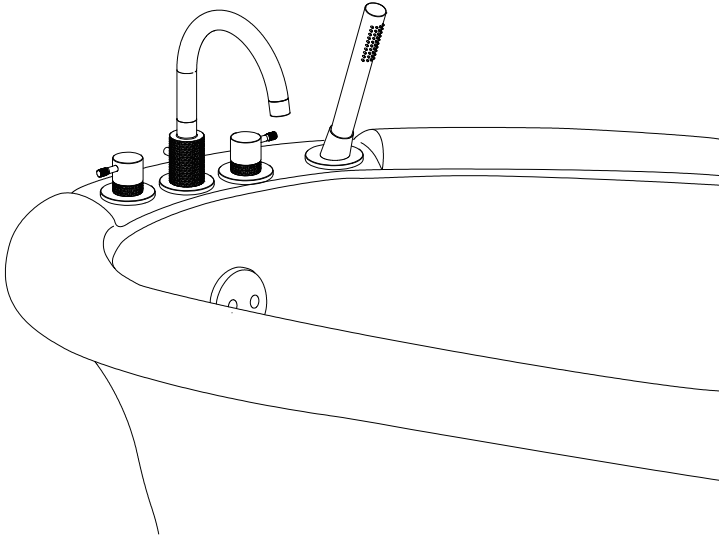


INSTALLATION PROCEDURE

7

Install the flexible hoses to connect the hot and cold water.





AFTER INSTALLATION

Ensure that all connections are tight. Ensure that the handle is in the off position. Turn on the drain and main water supply, and check for leaks. Repair as needed.

CARE & CLEANING

Your new tap is designed for years of trouble-free performance. Keep it looking new by cleaning it periodically with mild soap, rinse thoroughly with warm water and dry with a clean, soft cloth. Do not use abrasive cleaners, steel wool or harsh chemicals, as these will dull the finish. Failure to follow these instructions may void your warranty.

TROUBLE SHOOTING

If you've followed the instructions carefully and your tap still does not work properly, take these corrective steps.

Problem	Possible Cause	Solution
Insufficient water	- Aerator clogged	- Clean aerator, replace if necessary
Mixer stiff	- Cartridge defective	- Replace cartridge
Mixer dripping	- Cartridge defective	- Replace cartridge
Water leaks below handle	- Cartridge defective	- Replace cartridge
	- O-ring/rings defective	- Replace O-ring/rings
Water leaks at the connection	- Loose connection	- Tighten connection