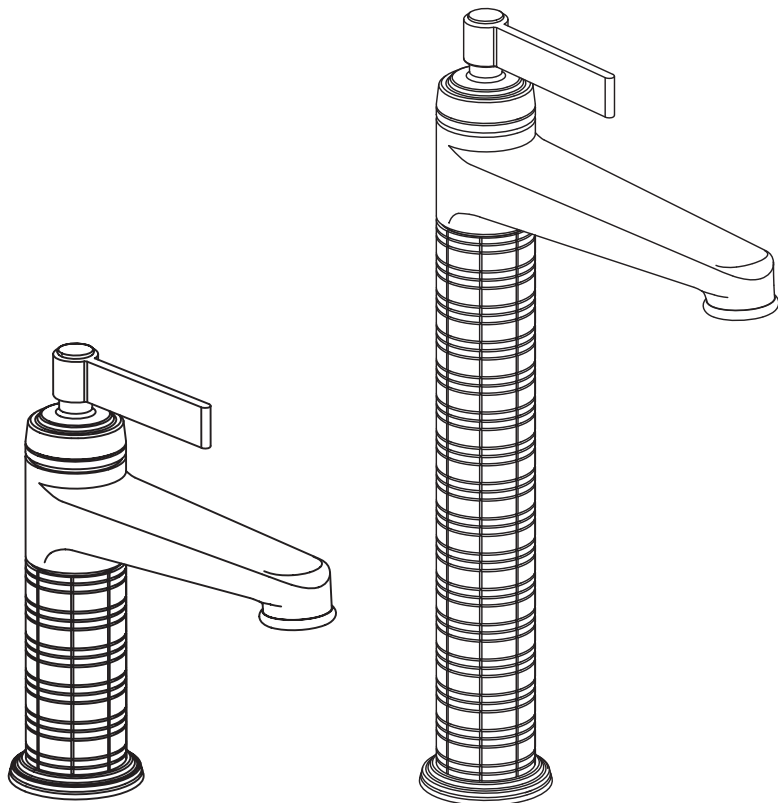


# Installation Manual



Apply for following models

11281/11282/11283/11284/11285  
11286

Please keep this page for your online registration.

No. FIBTBK05V1.0



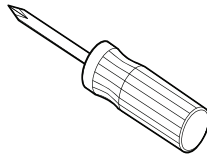
## WARNING



### CAUTION

If using solder for the installation of the tap; the tap seats, cartridges and washers will have to be removed before heating. Otherwise, the warranty will be voided on these parts.

## TOOLS YOU MIGHT NEED



Screwdriver



Adjustable  
Wrench

## TECHNICAL DATA

Recommended water pressure: 14.5 - 72.52 psi

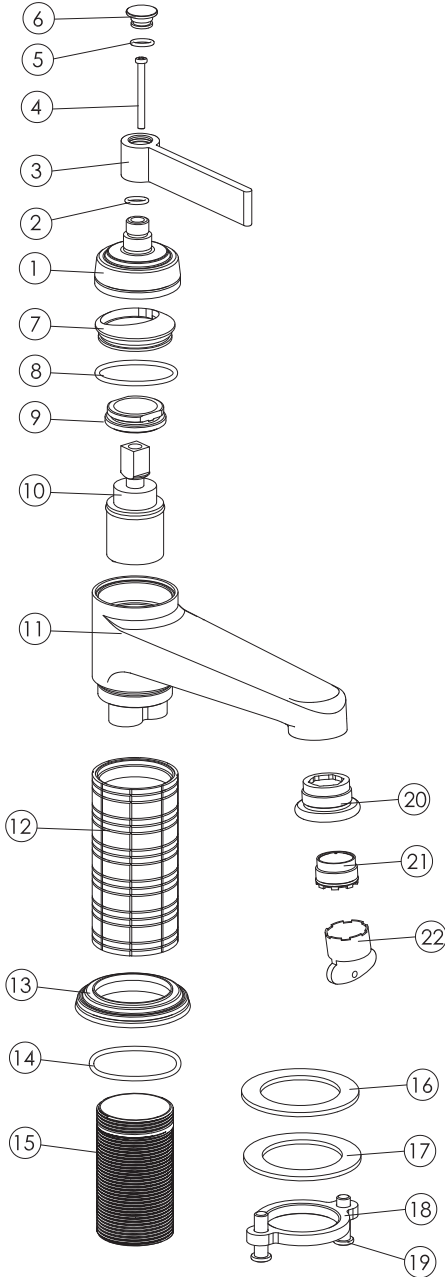
Max. Water pressure: 145 psi

Recommended water temp:  $\leq 149^{\circ}\text{F}$

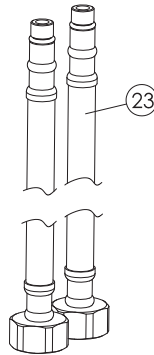
Max. Hot water temp: 194°F

Please know and follow all applicable local plumbing codes when setting the temperature on the water heater.

## PARTS LIST



No.	Name
1	Handle
2	O-Ring
3	Handle Lever
4	Screw
5	O-Ring
6	Cap
7	Cover
8	O-Ring
9	Nut
10	Cartridge
11	Body
12	Bottom Pipe
13	Base
14	O-Ring
15	Threaded Tube
16	Rubber Washer
17	Metal Clamp
18	Nut
19	Screws
20	Aerator Shell
21	Aerator
22	Fixing Tool
23	Flexible Tails

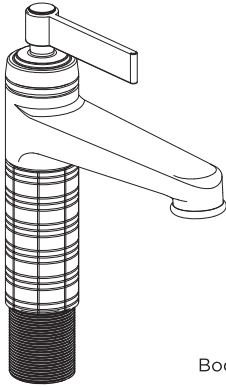


## BEFORE INSTALLATION

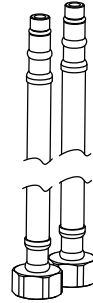
- Observe all local plumbing codes.
- Make sure water supply is turned off.
- Read these instructions carefully to ensure proper installation.
- Cover your drain to avoid losing parts.
- Check to make sure you have the following parts indicated below.



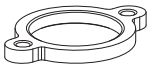
Please check you have all of these items in the box.



Body  
**X1**



Flexible Tails  
**X2**



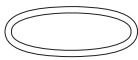
Pressuring Nut  
**X1**



Rubber Washer  
**X1**



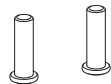
Metal Clamp  
**X1**



O-Ring  
**X1**



Base  
**X1**

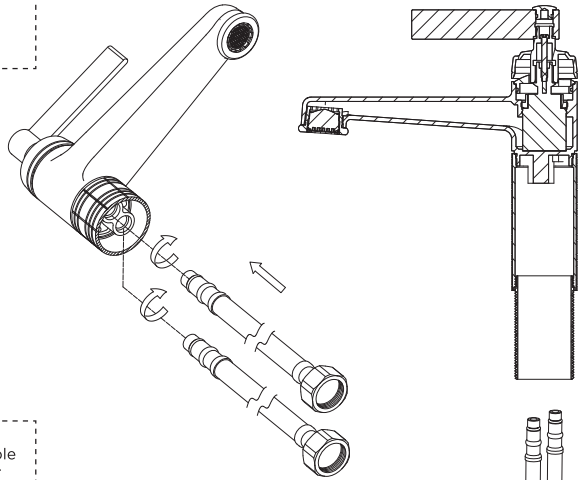


Screws  
**X1**

## INSTALLATION PROCEDURE

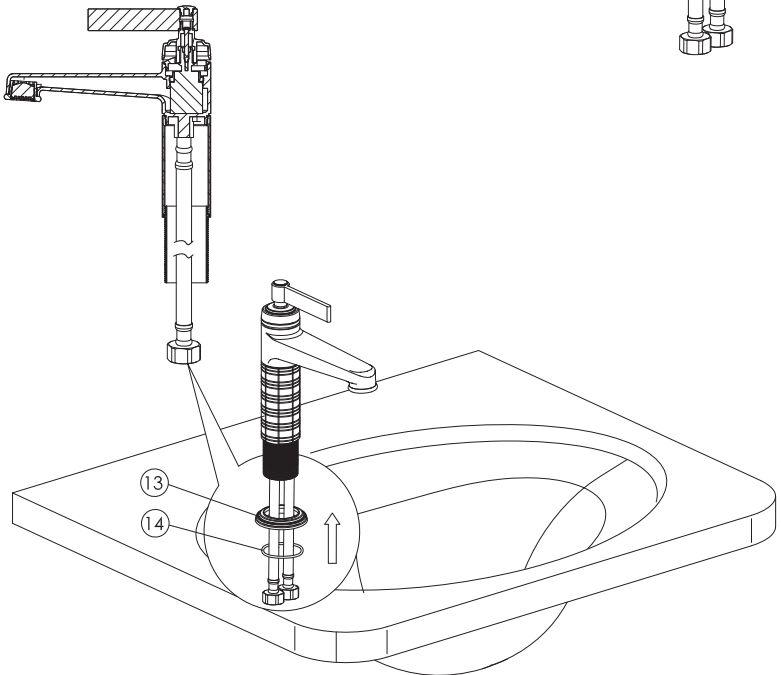
1

Fit the flexible tail hoses to the basin mixer body, making sure that you do not over tighten.



2

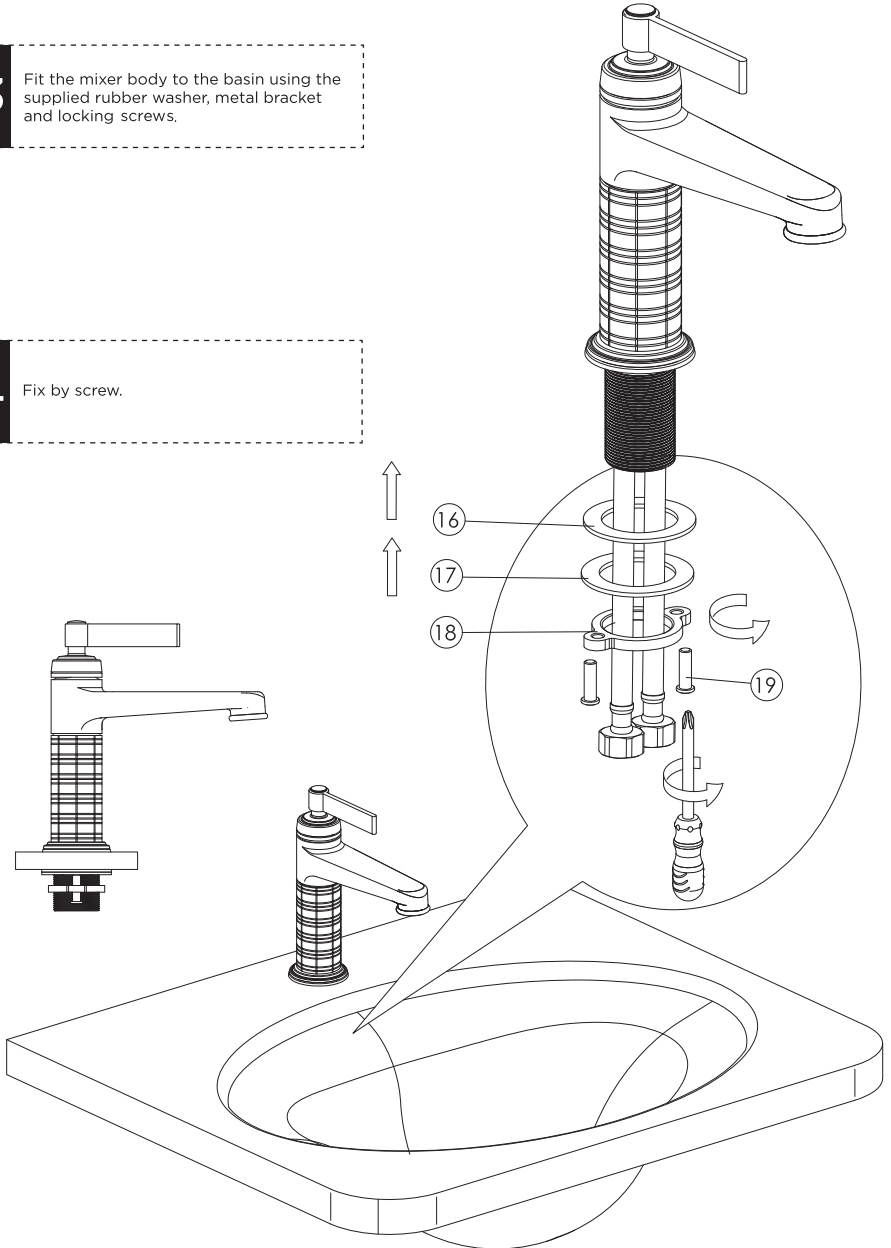
Move the base to go through the flexible tail hoses to the bottom of basin mixer body.

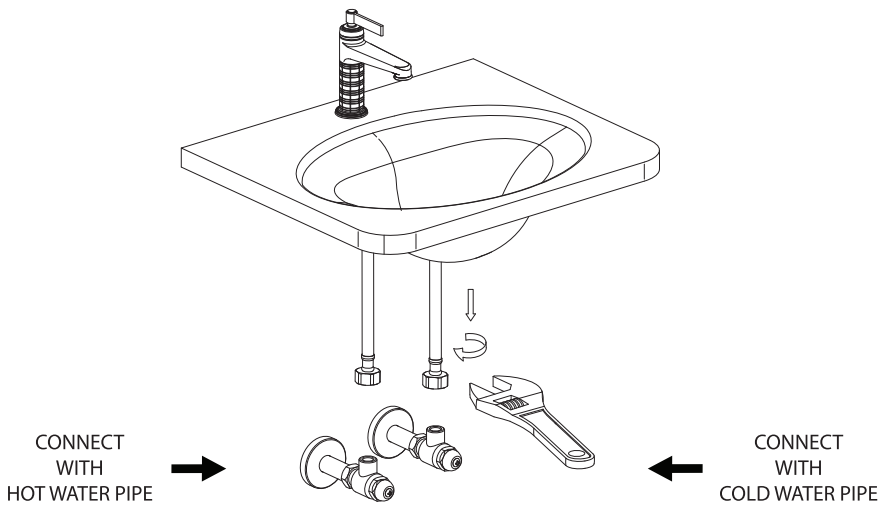


## INSTALLATION PROCEDURE

- 3** Fit the mixer body to the basin using the supplied rubber washer, metal bracket and locking screws.

- 4** Fix by screw.





### AFTER INSTALLATION

Ensure that all connections are tight. Ensure that the handle is in the off position. Turn on the drain and main water supply, and check for leaks. Repair as needed.

### CARE & CLEANING

Your new tap is designed for years of trouble-free performance. Keep it looking new by cleaning it periodically with mild soap, rinse thoroughly with warm water and dry with a clean, soft cloth. Do not use abrasive cleaners, steel wool or harsh chemicals, as these will dull the finish. Failure to follow these instructions may void your warranty.

### TROUBLE SHOOTING

If you've followed the instructions carefully and your tap still does not work properly, take these corrective steps.

<b>Problem</b>	<b>Possible Cause</b>	<b>Solution</b>
Insufficient water	- Aerator clogged	- Clean aerator, replace if necessary
Mixer stiff	- Cartridge defective	- Replace cartridge
Mixer dripping	- Cartridge defective	- Replace cartridge
Water leaks below handle	- Cartridge defective	- Replace cartridge
	- O-ring/rings defective	- Replace O-ring/rings
Water leaks at the connection	- Loose connection	- Tighten connection