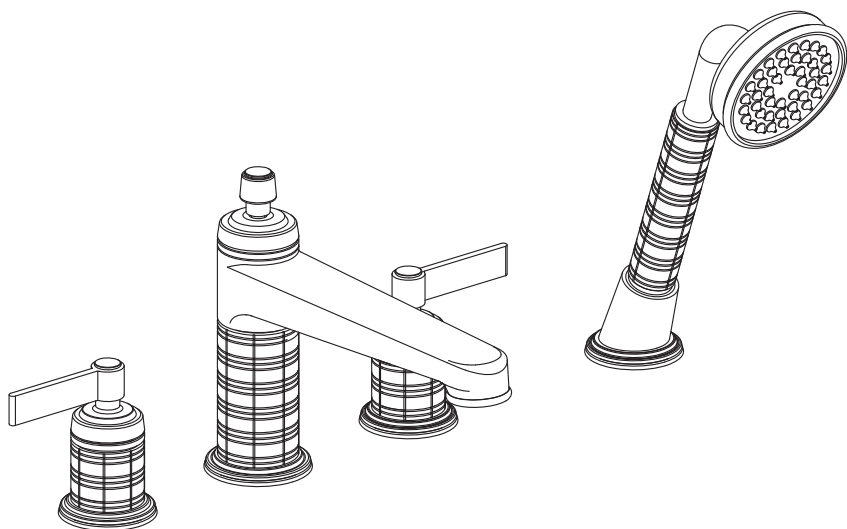


# Installation Manual



Apply for following models

**12232/12233/12234**

Please keep this page for your online registration.

No. FIBTTBK07V1.0



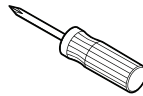
## WARNING



### CAUTION

If using solder for the installation of the tap; the tap seats, cartridges and washers will have to be removed before heating. Otherwise, the warranty will be voided on these parts.

## TOOLS YOU MIGHT NEED



Screwdriver



Adjustable  
Wrench

## TECHNICAL DATA

Recommended water pressure: 14.5 - 72.52 psi

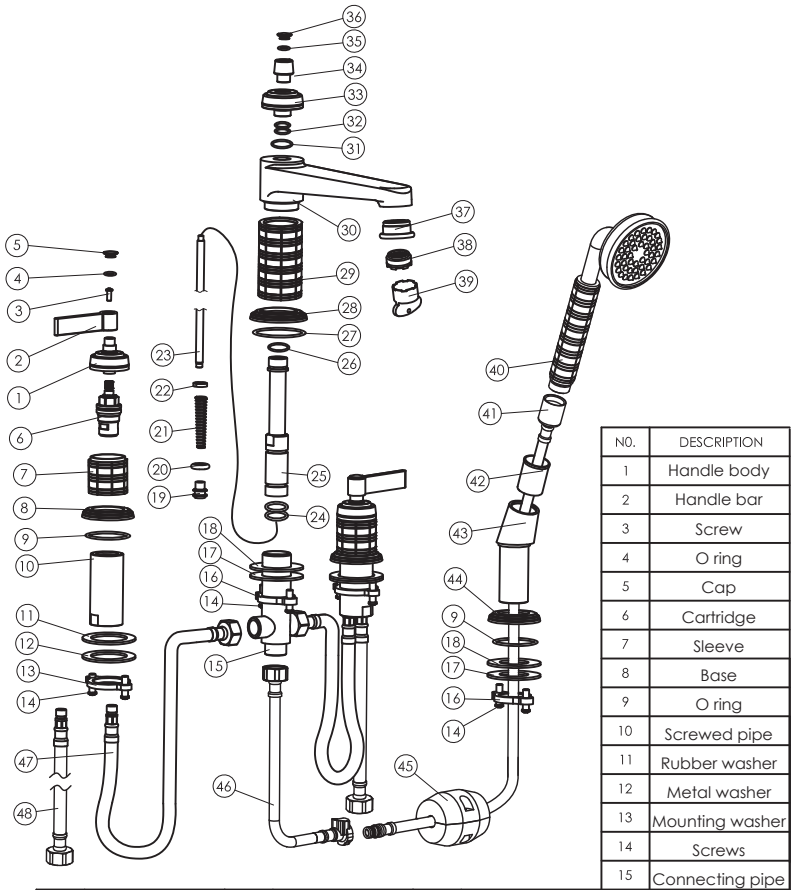
Max. Water pressure: 145 psi

Recommended hot water temp:  $\leq 149^{\circ}\text{F}$

Max. Hot water temp:  $194^{\circ}\text{F}$

Please know and follow all applicable local plumbing codes when setting the temperature on the water heater.

# PARTS LIST



NO.	DESCRIPTION
1	Handle body
2	Handle bar
3	Screw
4	O ring
5	Cap
6	Cartridge
7	Sleeve
8	Base
9	O ring
10	Screw pipe
11	Rubber washer
12	Metal washer
13	Mounting washer
14	Screws
15	Connecting pipe
16	Mounting washer
17	Metal washer
18	Rubber washer
19	Lift head
20	O ring
21	Spring
22	O ring
23	Lift bar
24	O rings
25	Inlet pipe
26	O ring
27	O ring
28	Base
29	Sleeve
30	Spout
31	O ring
32	O rings
33	Handle body
34	Lift handle
35	O ring
36	Cap
37	Aerator shell
38	Aerator
39	Aerator wrench
40	Handheld shower
41	Pull out hose
42	Protective sleeve
43	Shower holder
44	Base
45	Heavy ball
46	Quick-connect hose
47	Flexible hoses
48	Flexible hoses

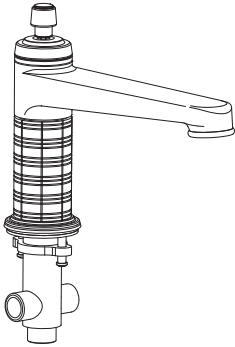
NO.	DESCRIPTION	NO.	DESCRIPTION	NO.	DESCRIPTION
41	Pull out hose	33	Handle body	25	Inlet pipe
42	Protective sleeve	34	Lift handle	26	O ring
43	Shower holder	35	O ring	27	O ring
44	Base	36	Cap	28	Base
45	Heavy ball	37	Aerator shell	29	Sleeve
46	Quick-connect hose	38	Aerator	30	Spout
47	Flexible hoses	39	Aerator wrench	31	O ring
48	Flexible hoses	40	Handheld shower	32	O rings

## BEFORE INSTALLATION

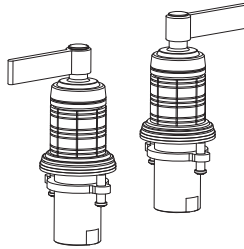
- ⌘ Observe all local plumbing codes.
- ⌘ Make sure water supply is turned off.
- ⌘ Read these instructions carefully to ensure proper installation.
- ⌘ Cover your drain to avoid losing parts.
- ⌘ Check to make sure you have the following parts indicated below.



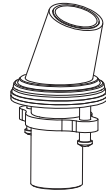
Please check you have all of these items in the box.



**SPOUT SET**  
X 1



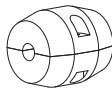
**HANDLE SET**  
X 2



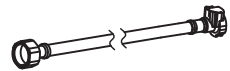
**SHOWER HOLDER SET**  
X 1



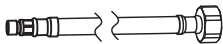
**HAND HELD SHOWER**  
X 1



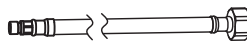
**HEAVY BALL**  
X 1



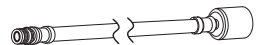
**QUICK CONNECT HOSE**  
X 1



**FLEXIBLE HOSE**  
X 2



**FLEXIBLE HOSE**  
X 2

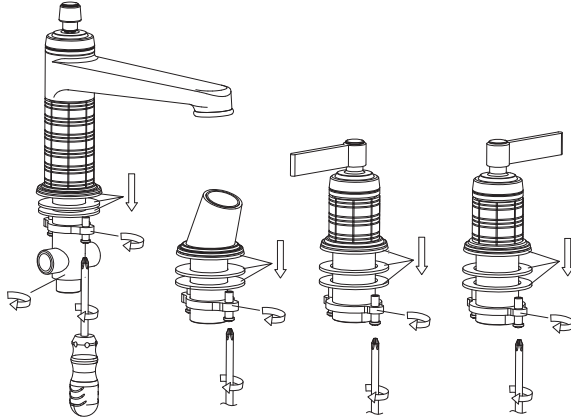


**PULL OUT HOSE**  
X 1

## INSTALLATION PROCEDURE

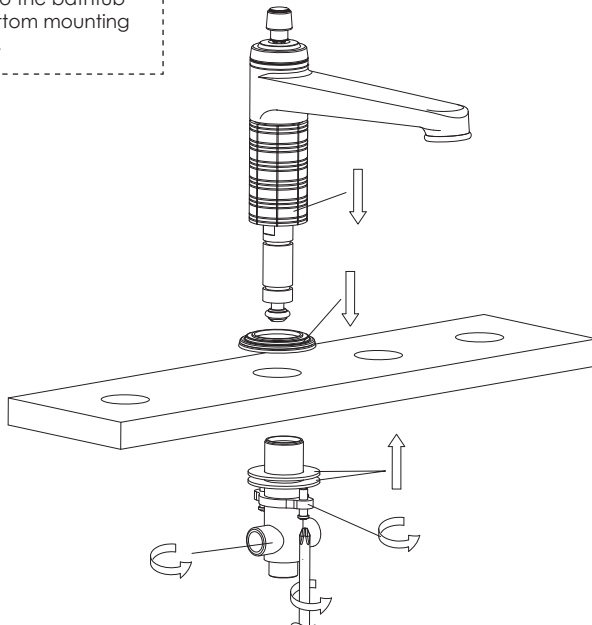
1

Loosen the screw under the spout, remove the screwed pipe, and take off the mounting screws, washers under the other handles.



2

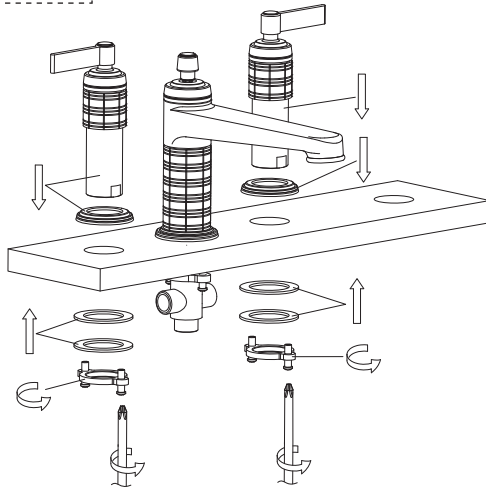
Install the spout onto the bathtub and tighten the bottom mounting screw with washers.



## INSTALLATION PROCEDURE

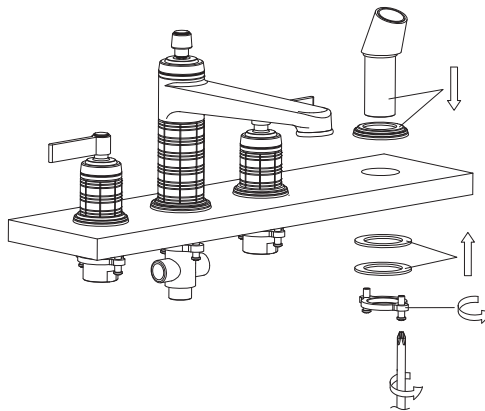
3

Install the handle onto the bathtub and tighten the bottom mounting screws with washers.



4

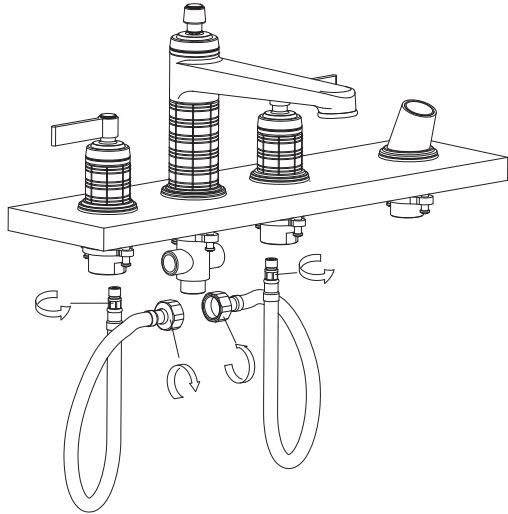
Install the shower holder onto the bathtub and tighten the bottom mounting screws with washers.



## INSTALLATION PROCEDURE

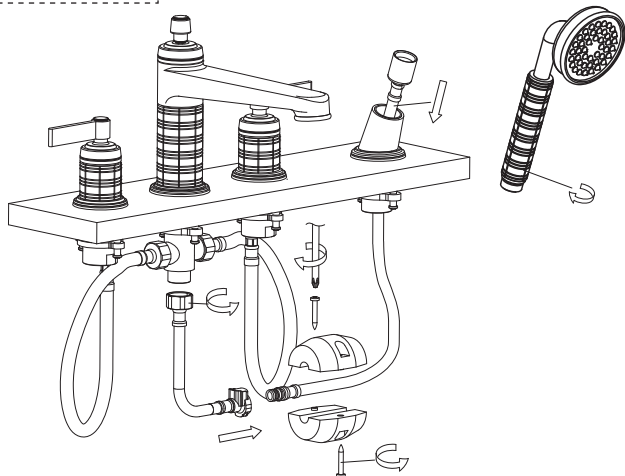
5

Install the flexible hoses to connect the handle and the spout.



6

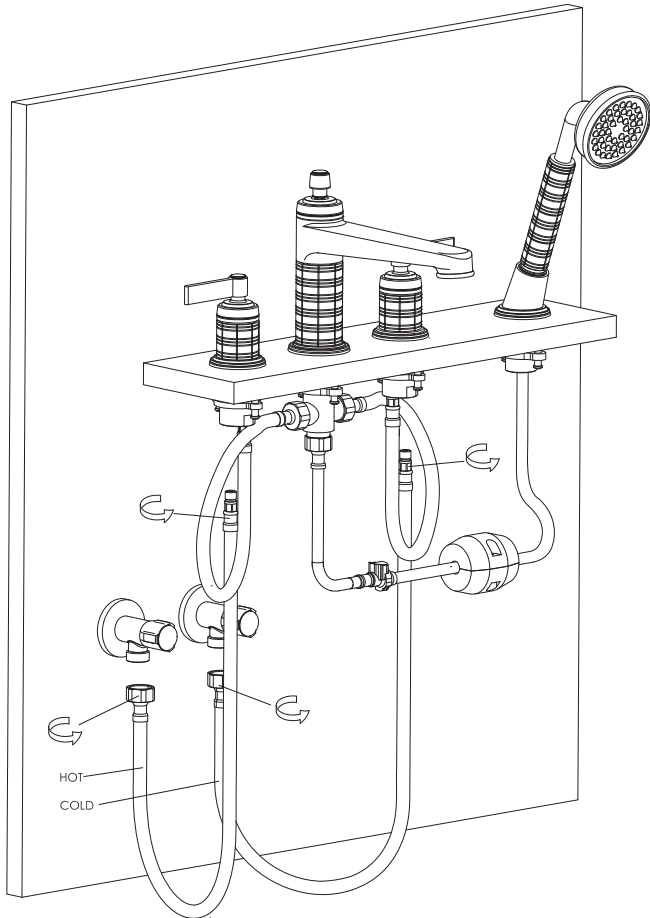
Connect the spout and the pull-out hose with a quick-connect hose, then secure the heavy ball at a suitable position, install the hand held shower.

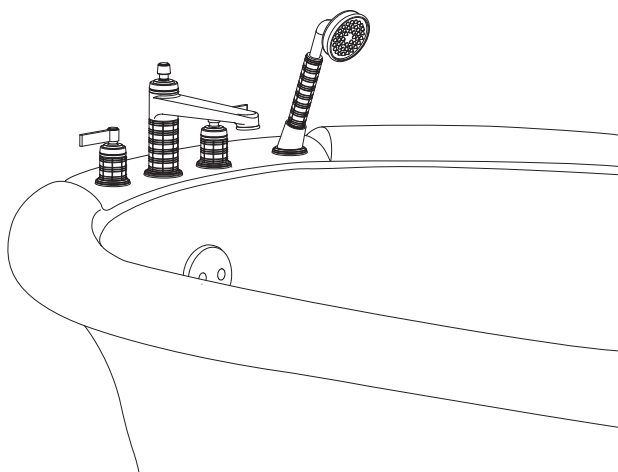


## INSTALLATION PROCEDURE

7

Install the flexible hoses to connect the hot and cold water.





## AFTER INSTALLATION

Ensure that all connections are tight. Ensure that the handle is in the off position. Turn on the drain and main water supply, and check for leaks. Repair as needed.

## CARE & CLEANING

Your new tap is designed for years of trouble-free performance. Keep it looking new by cleaning it periodically with mild soap, rinse thoroughly with warm water and dry with a clean, soft cloth. Do not use abrasive cleaners, steel wool or harsh chemicals, as these will dull the finish. Failure to follow these instructions may void your warranty.

## TROUBLE SHOOTING

If you've followed the instructions carefully and your tap still does not work properly, take these corrective steps.

<b>Problem</b>	<b>Possible Cause</b>	<b>Solution</b>
Insufficient water	- Aerator clogged	- Clean aerator, replace if necessary
Mixer stiff	- Cartridge defective	- Replace cartridge
Mixer dripping	- Cartridge defective	- Replace cartridge
Water leaks below handle	- Cartridge defective	- Replace cartridge
	- O-ring/rings defective	- Replace O-ring/rings
Water leaks at the connection	- Loose connection	- Tighten connection