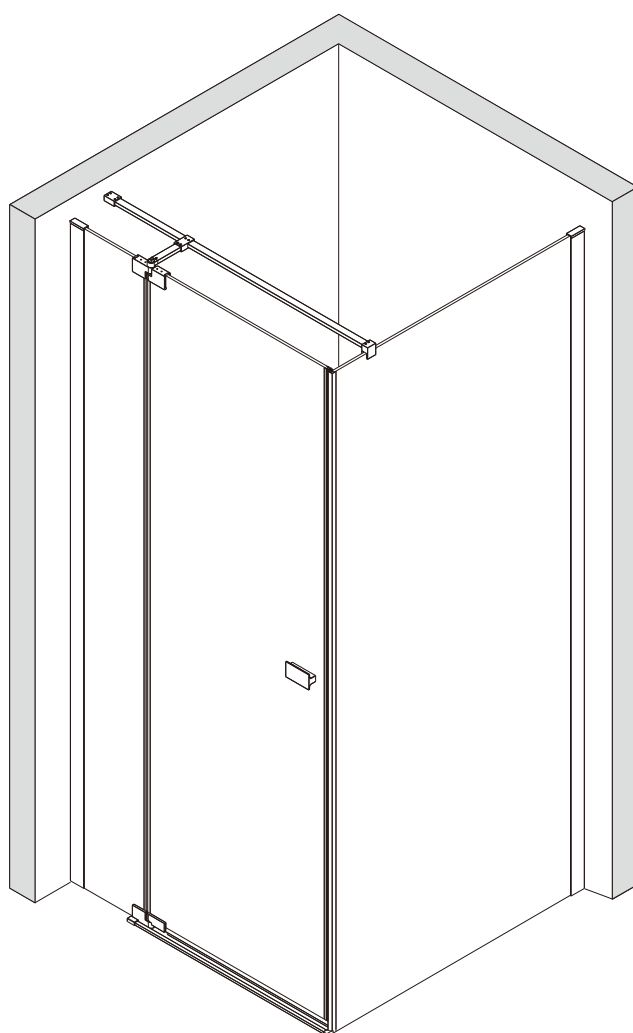
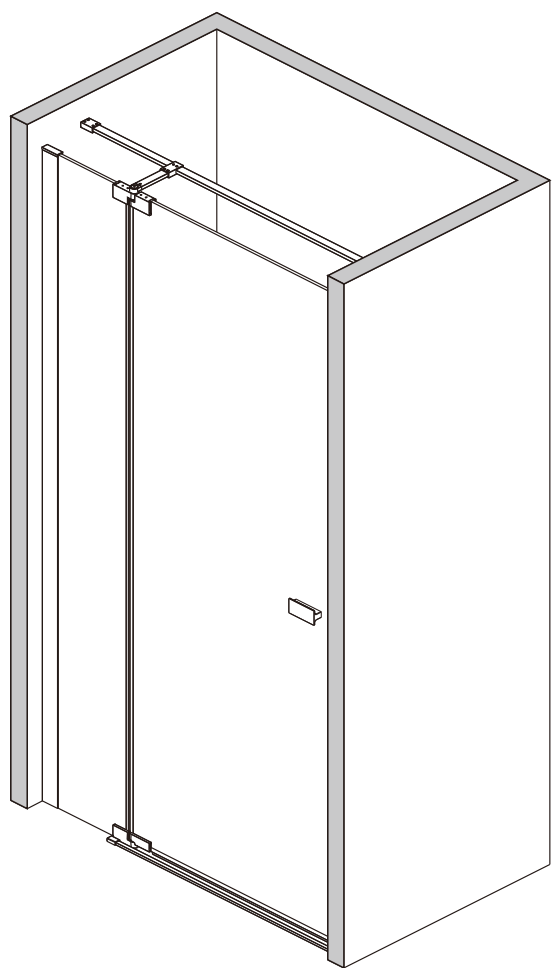


Installation Manual



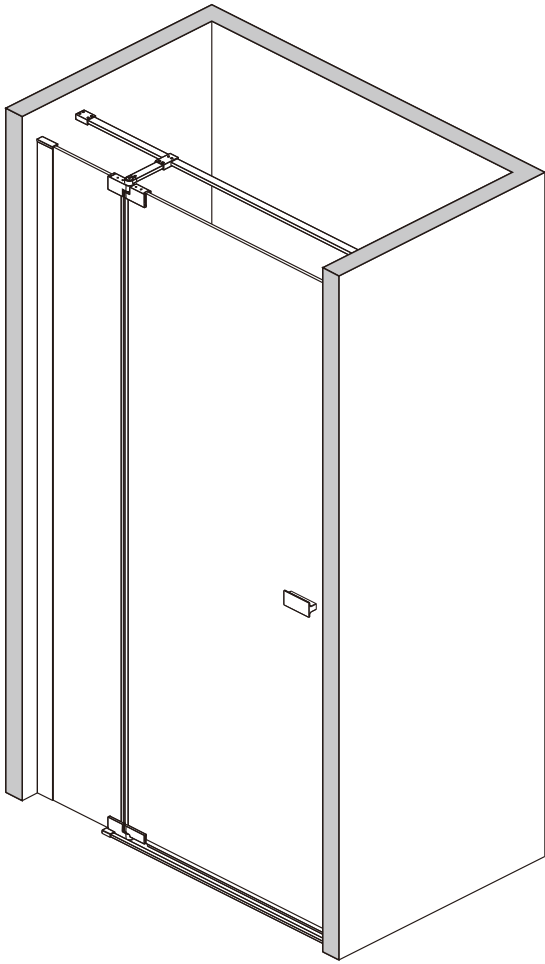
Apply for following models:

41034/41035/41036
41037/41038/41164
43015/43016/43017

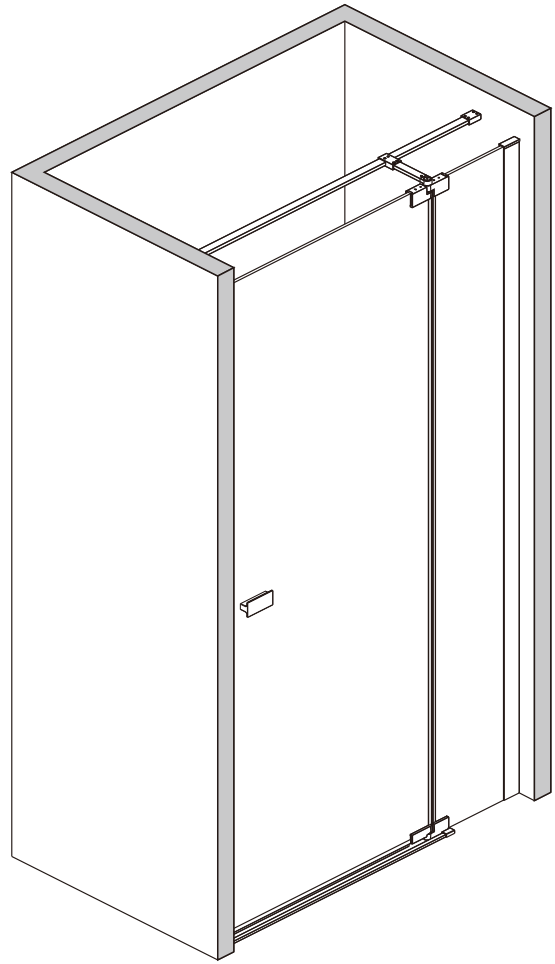
Please keep this page for your online registration.

No. FIENSEB05V10.0





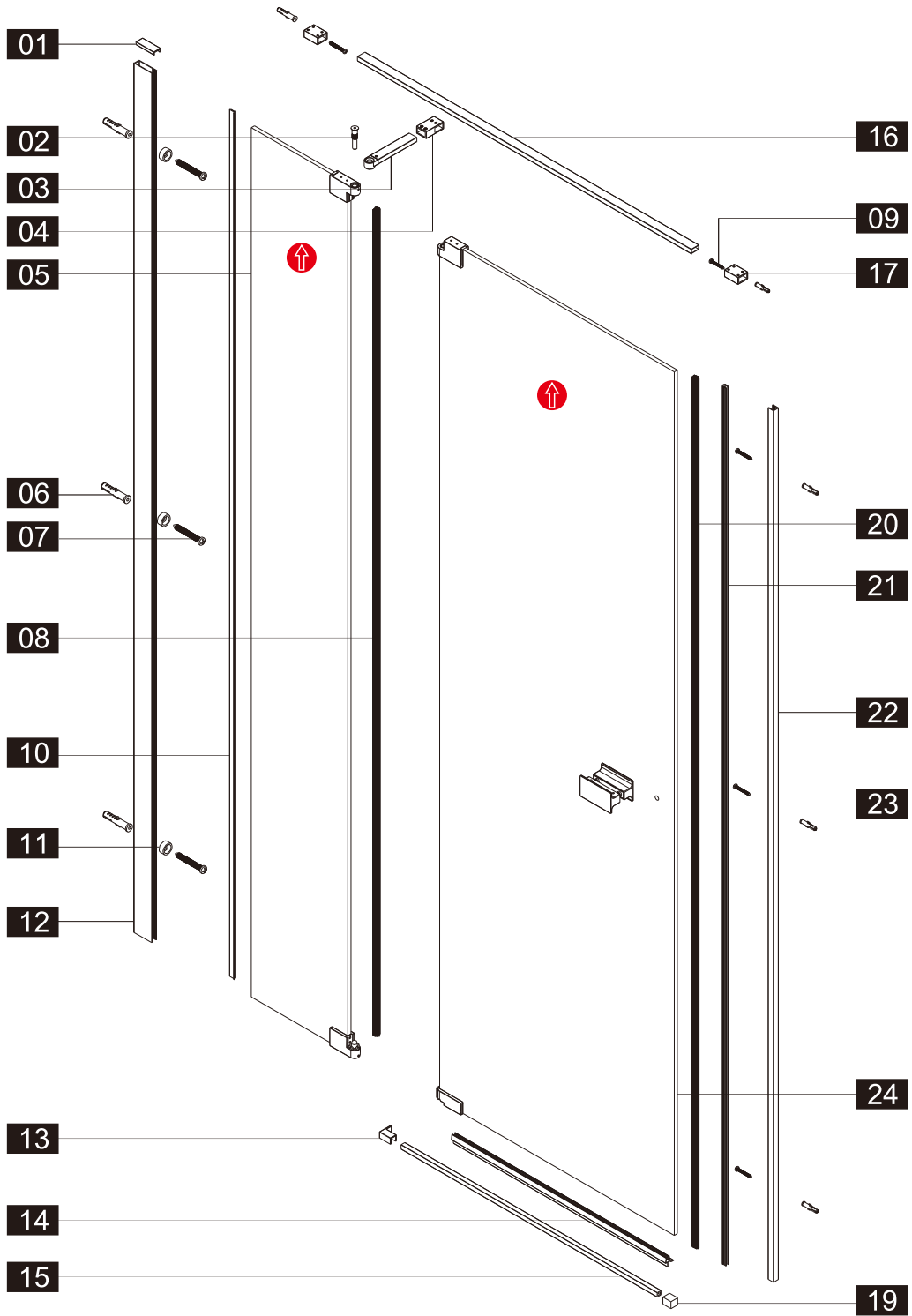
L







R

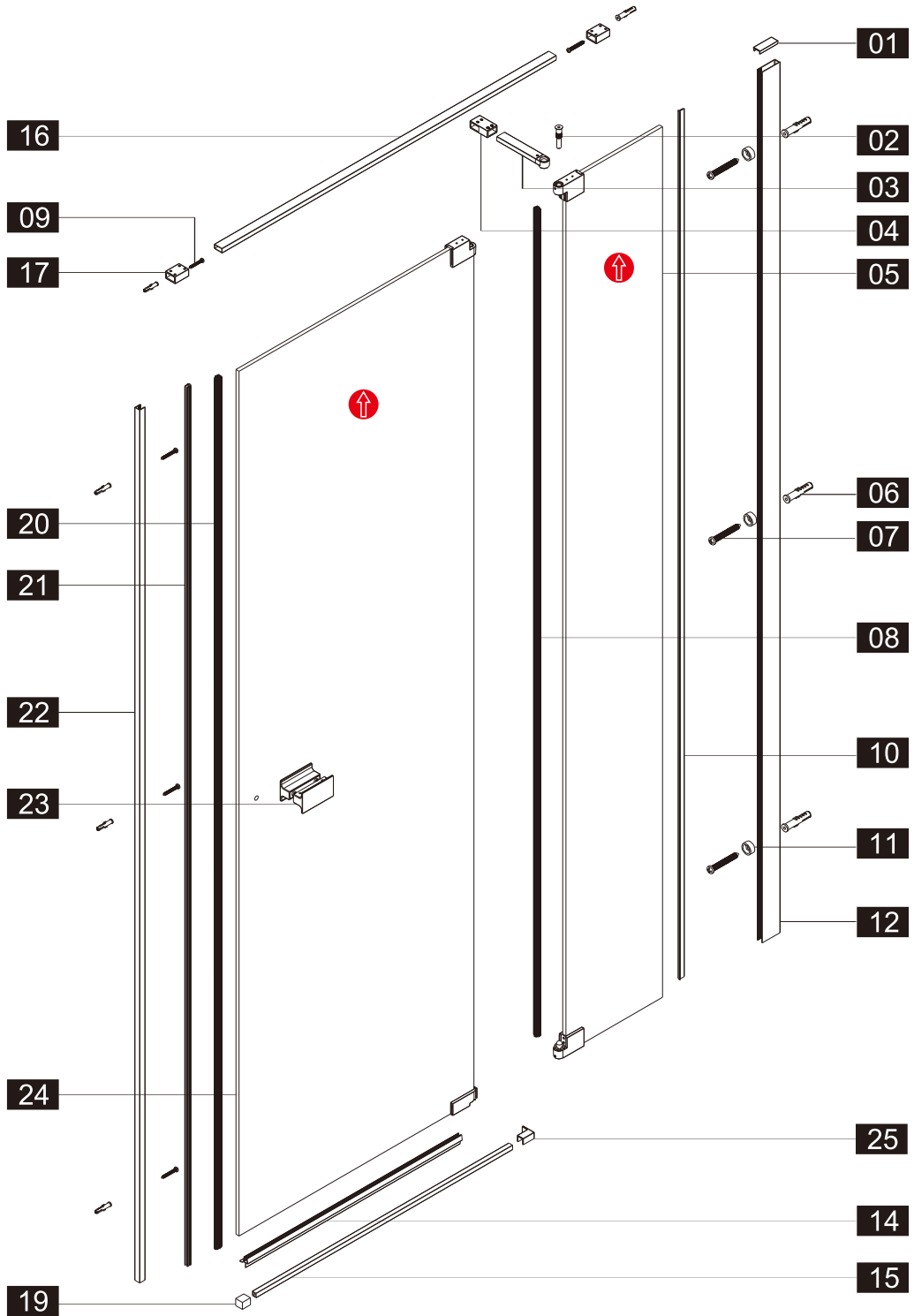
| | |
|-------|------|
| 41034 | 800 |
| 41035 | 900 |
| 41036 | 1000 |
| 41037 | 1100 |
| 41038 | 1200 |
| 41164 | 1400 |

L



- 2.0mm  26
- 2.5mm  27
- 4.0mm  28
-  29

R

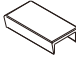
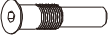
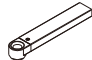

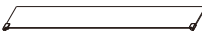














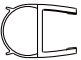





- 26 — 2.0mm
- 27 — 2.5mm
- 28 — 4.0mm
- 29 —


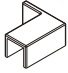






Attention:Before installation, please check whether the number and type of accessories are correct, and then install them. If there is any problem,please inform us as soon as possible. Thank you!

Parts List

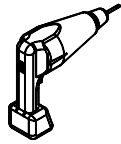
| Part Number | Image | Size(mm) | Quantity | Remark |
|-------------|---|----------|----------|------------------|
| 01 |  | | 1 | |
| 02 |  | | 1 | |
| 03 |  | | 1 | |
| 04 |  | | 1 | |
| 05 |  | | 1 | |
| 06 |  | | 8 | |
| 07 |  | ST4X40 | 6 | |
| 08 |  | 1886 | 1 | Seal |
| 09 |  | ST4X35 | 2 | |
| 10 |  | 1900 | 1 | Seal |
| 11 |  | | 3 | |
| 12 |  | 1900 | 1 | Aluminum profile |
| 13 |  | | 1 | L Side |
| 14 |  | | 1 | Seal |
| 15 |  | | 1 | Aluminum profile |
| 16 |  | | 1 | Aluminum profile |
| 17 |  | | 2 | |
| 18 |  | | 2 | |
| 19 |  | | 1 | |
| 20 |  | 1820 | 1 | Seal |
| 21 |  | 1900 | 1 | Seal |
| 22 |  | 1900 | 1 | Aluminum profile |
| 23 |  | | 1 | |

Parts List

| Part Number | Image | Size(mm) | Quantity | Remark |
|-------------|---|----------|----------|--------|
| 24 |  | | 1 | |
| 25 |  | | 1 | R Side |
| 26 |  | 2.0mm | 1 | |
| 27 |  | 2.5mm | 1 | |
| 28 |  | 4.0mm | 1 | |
| 29 |  | | 1 | |

You will need

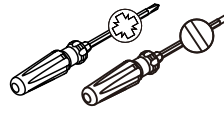
To assemble your product (Tools not provided).



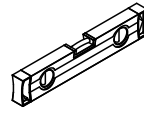
Drill



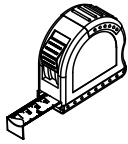
Drill Bit



Screw Driver



Level



Tape Measure



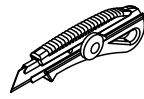
Pencil



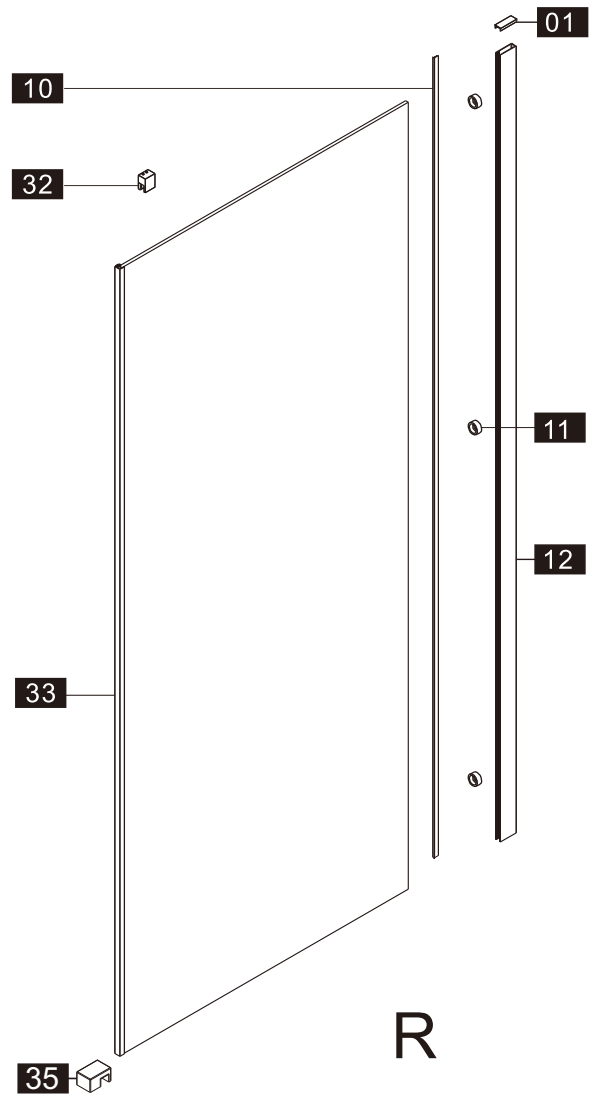
Mallet



Silicon Gun



Craft Knife

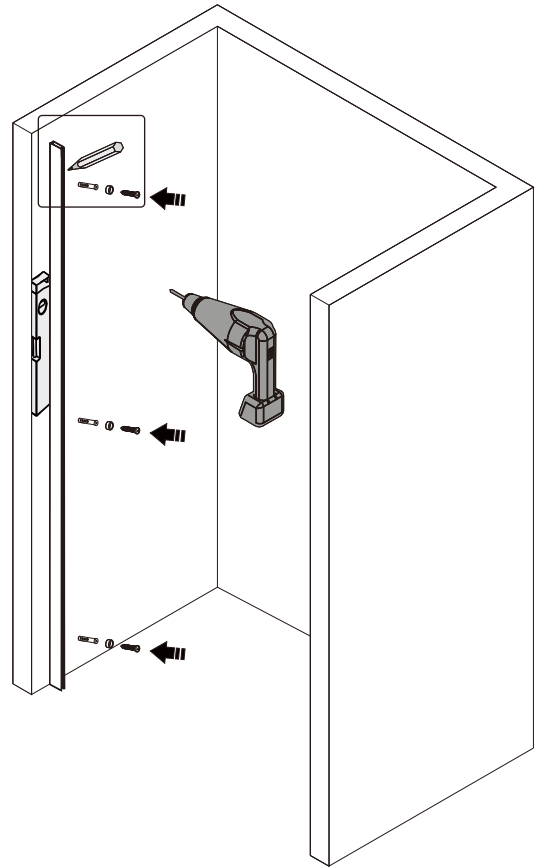
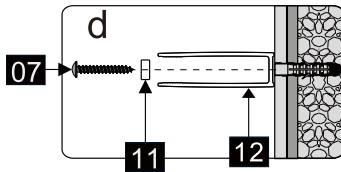
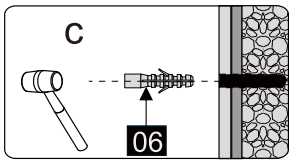
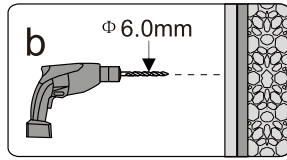
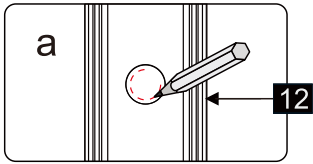


Parts List

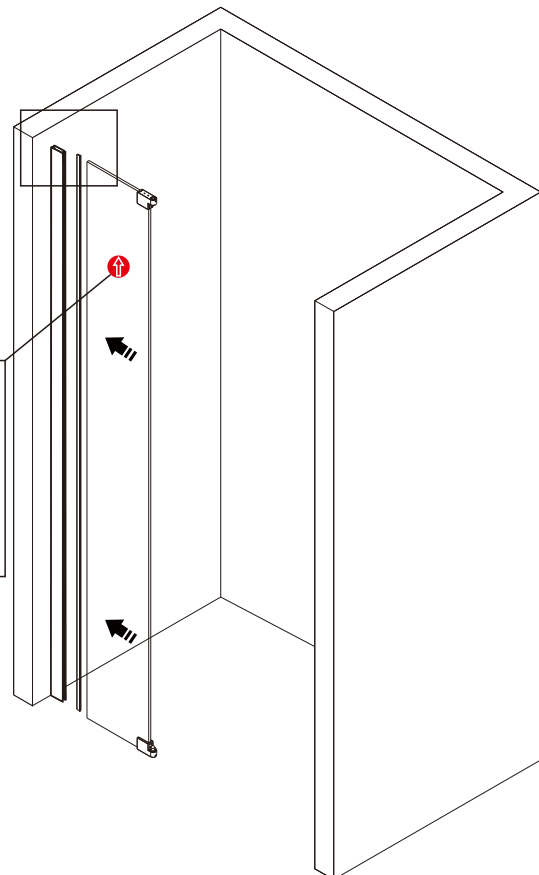
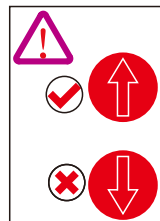
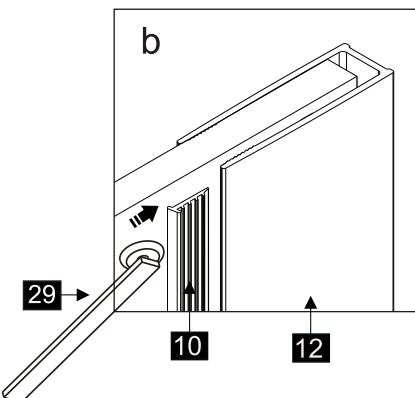
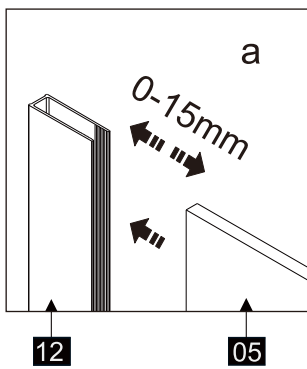
| Part Number | Image | Size(mm) | Quantity | Remark |
|-------------|-------|----------|----------|------------------|
| 01 | | | 1 | |
| 10 | | 1900 | 1 | Seal |
| 11 | | | 3 | |
| 12 | | 1900 | 1 | Aluminum profile |
| 32 | | | 1 | |
| 33 | | | 1 | |
| 34 | | | 1 | L Side |
| 35 | | | 1 | R Side |

01

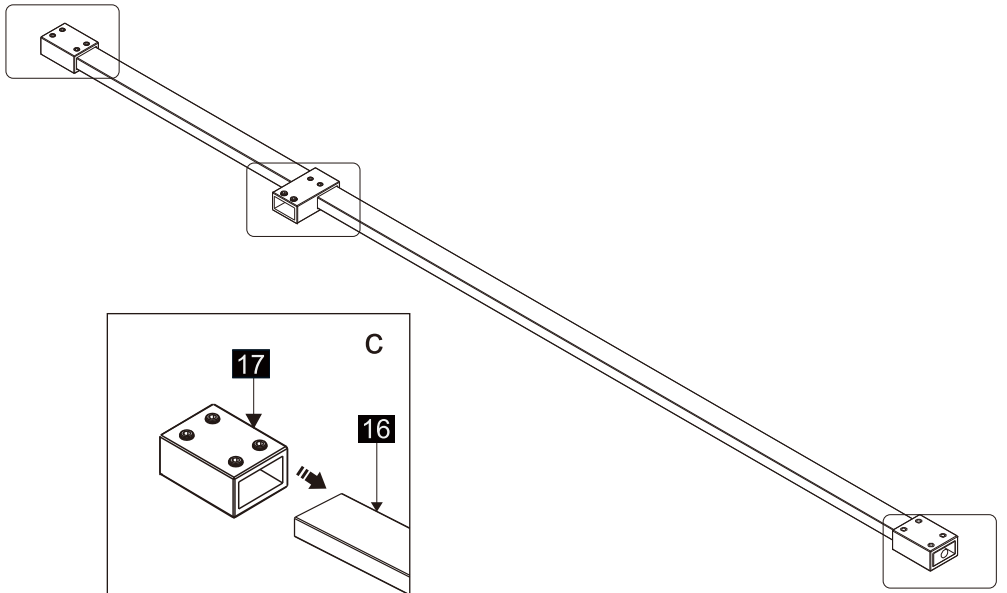
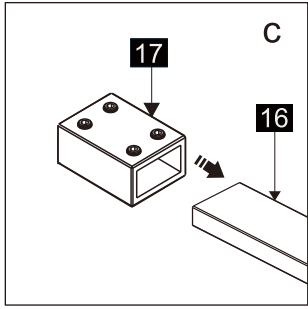
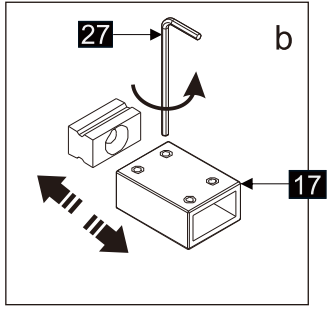
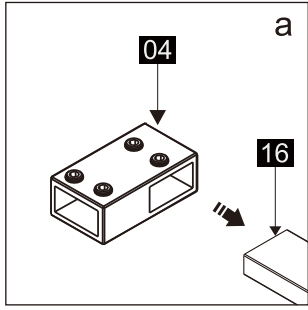
In this guide, this model is used to demonstrate the left opening



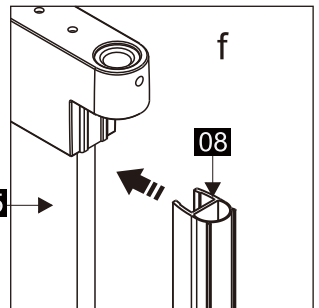
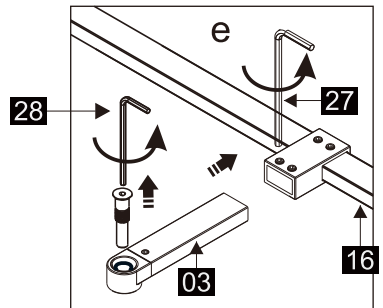
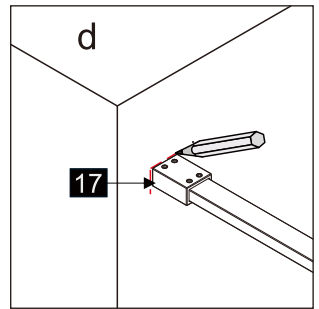
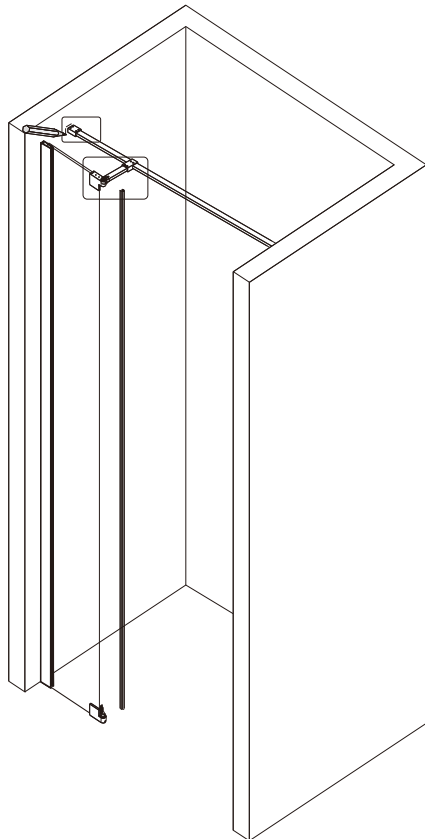
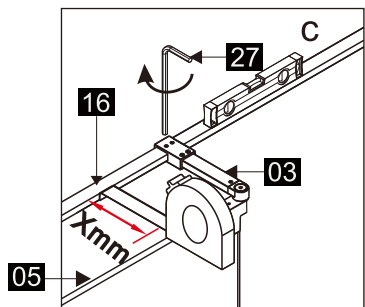
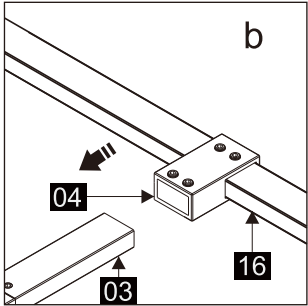
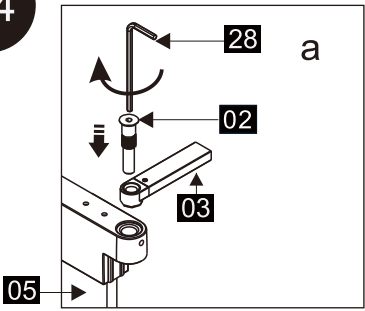
02



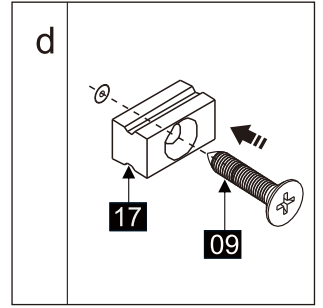
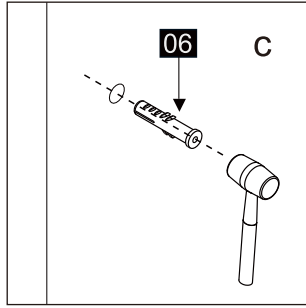
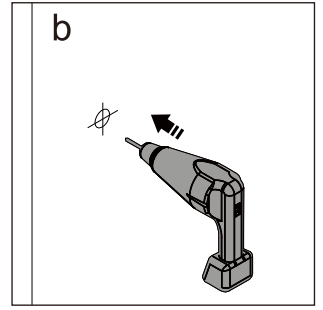
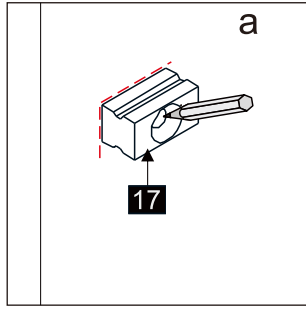
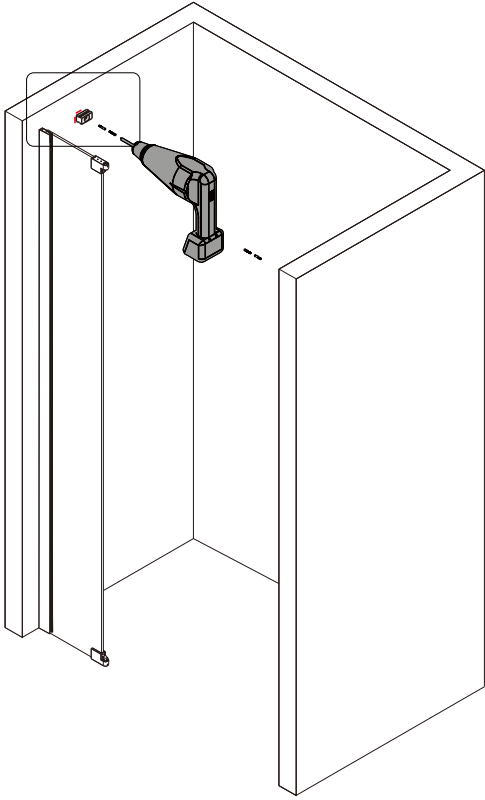
03



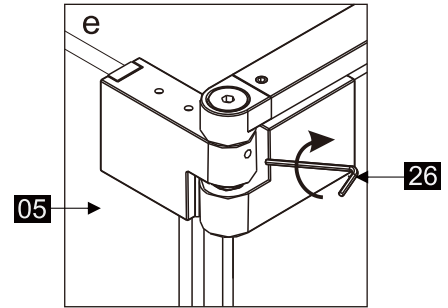
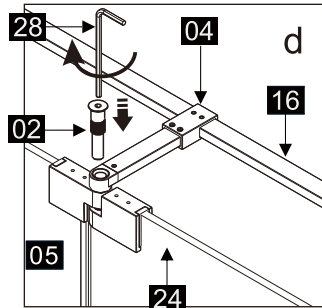
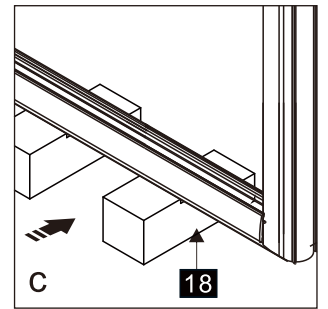
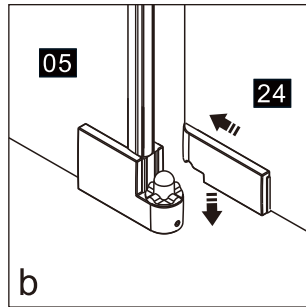
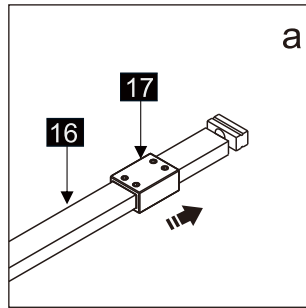
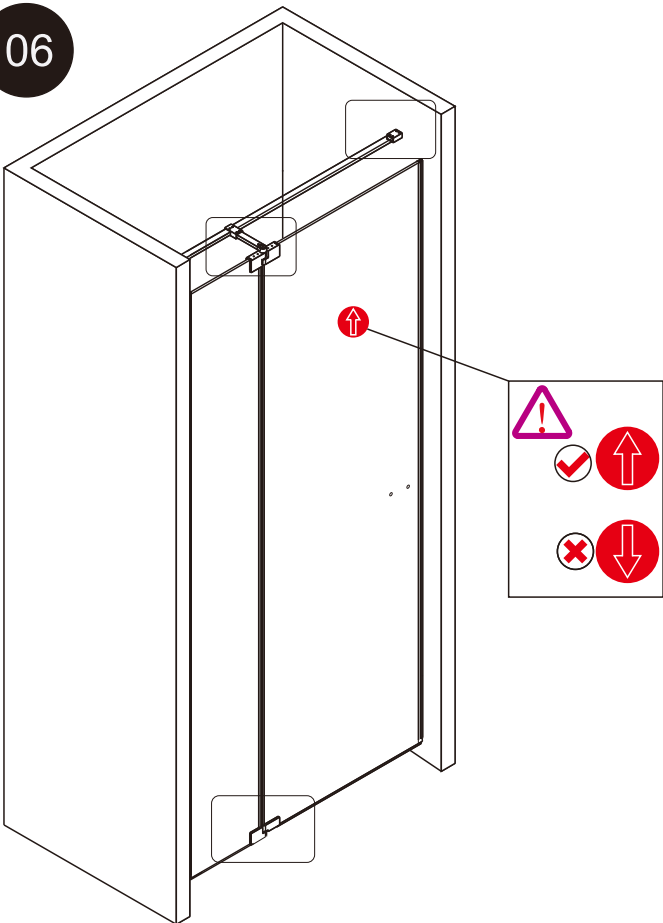
04



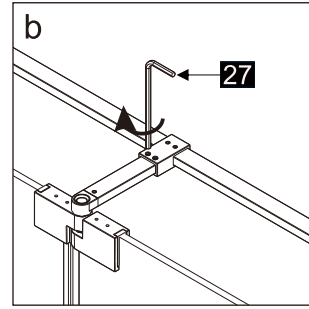
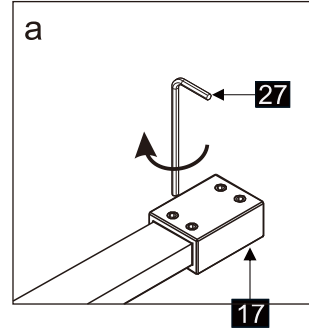
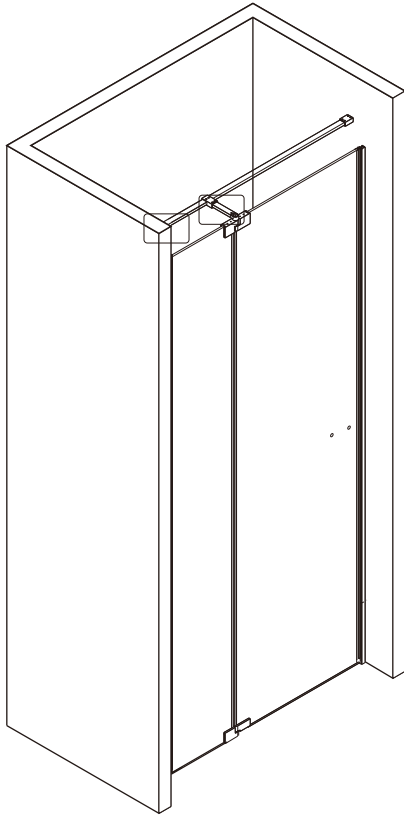
05



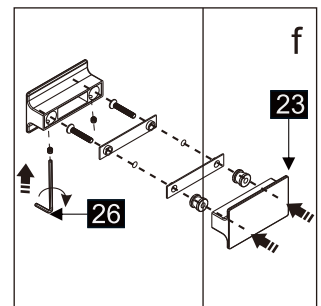
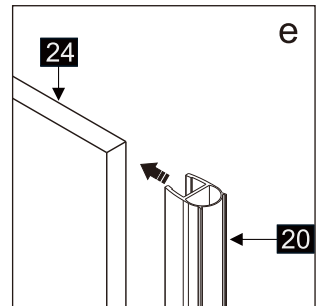
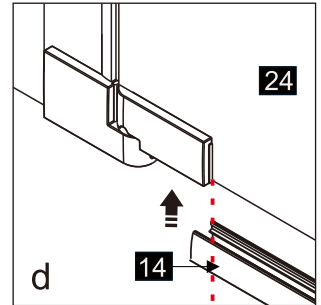
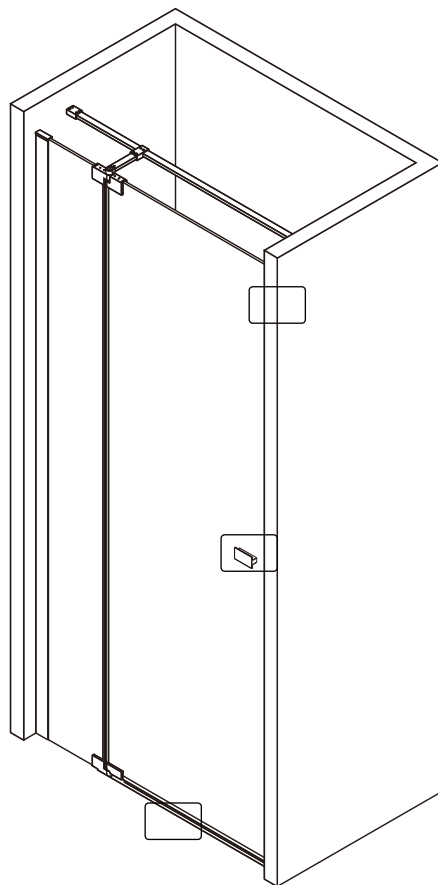
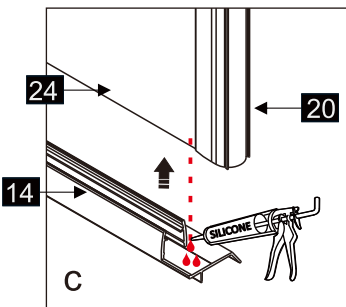
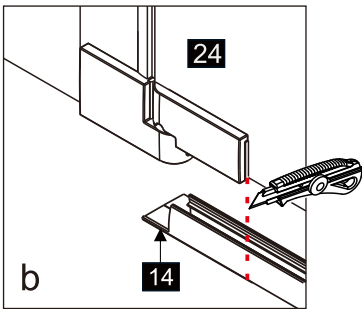
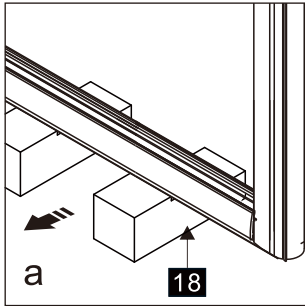
06



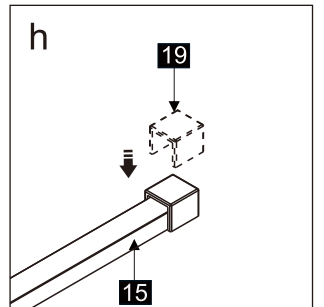
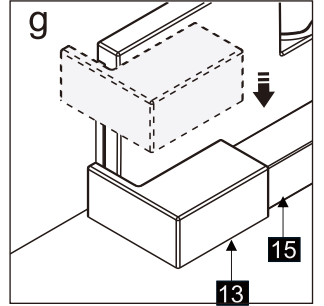
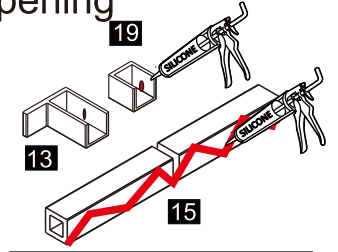
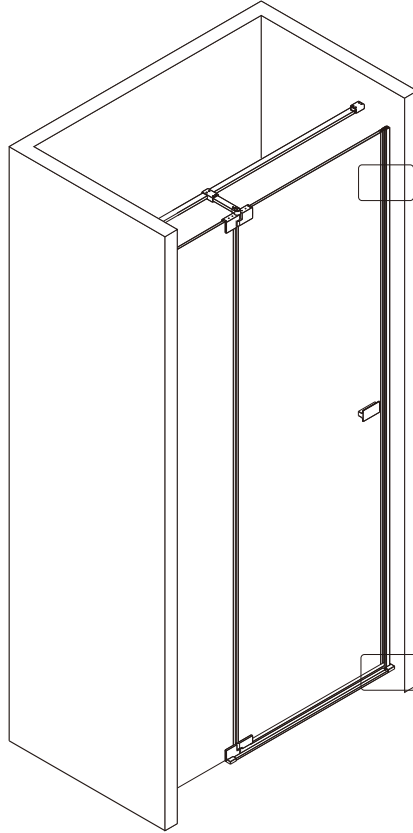
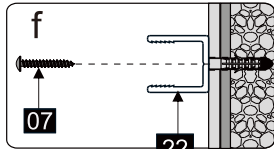
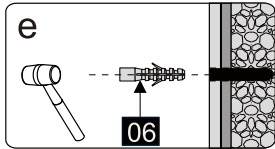
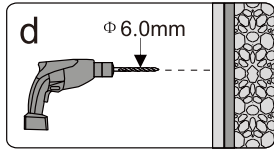
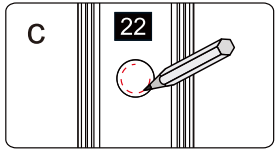
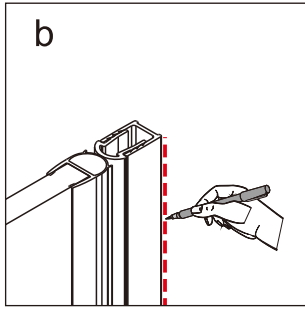
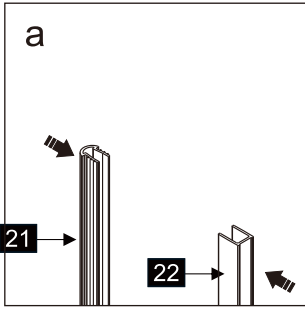
07



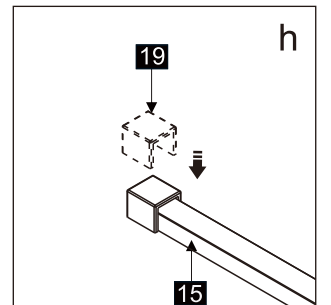
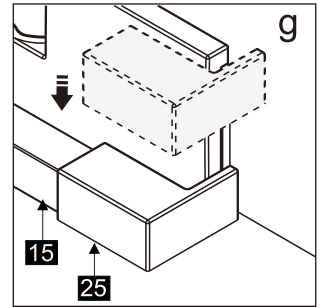
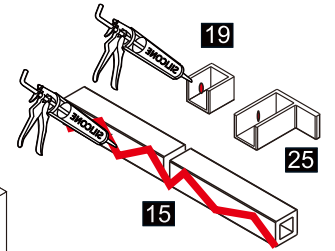
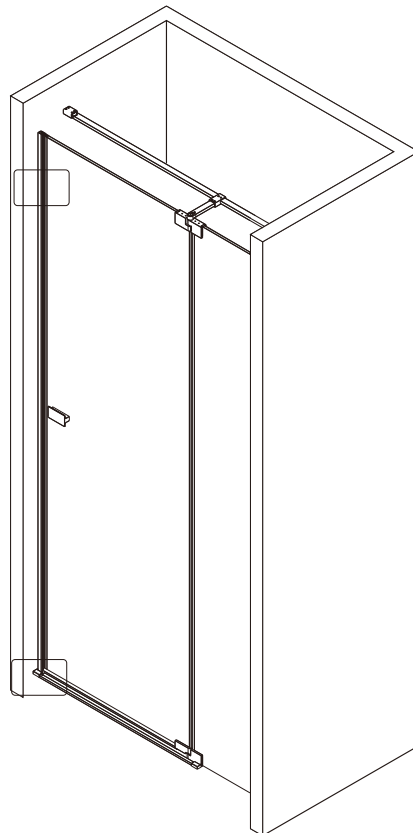
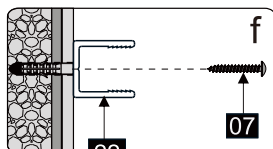
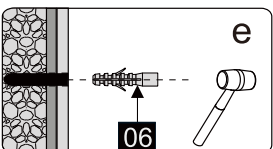
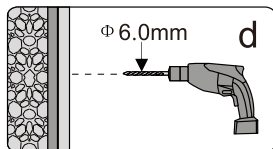
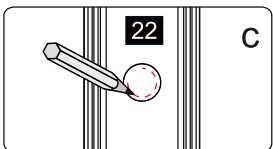
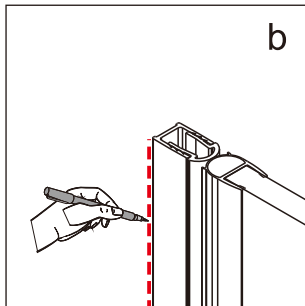
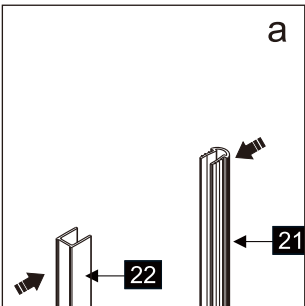
08



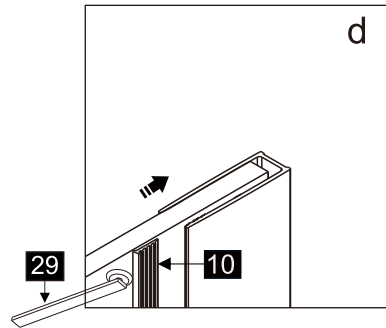
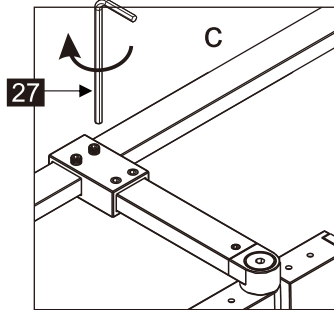
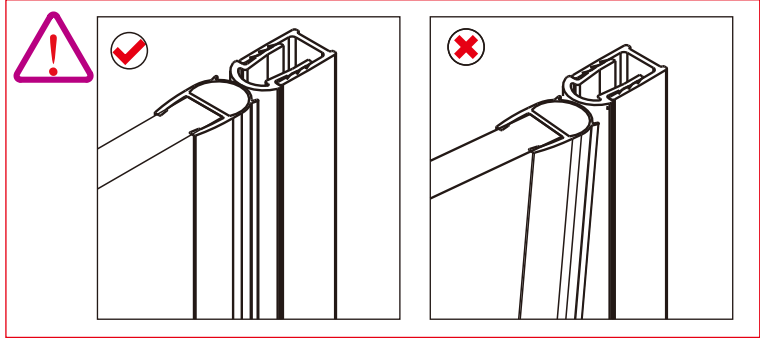
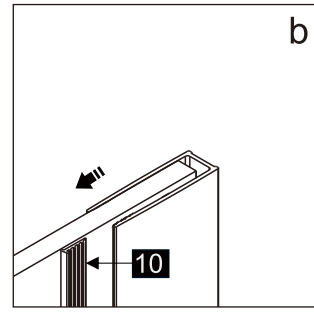
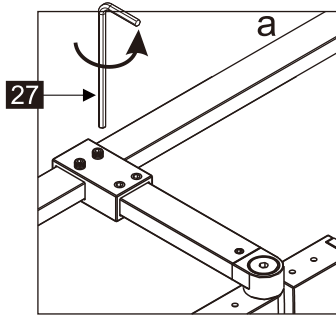
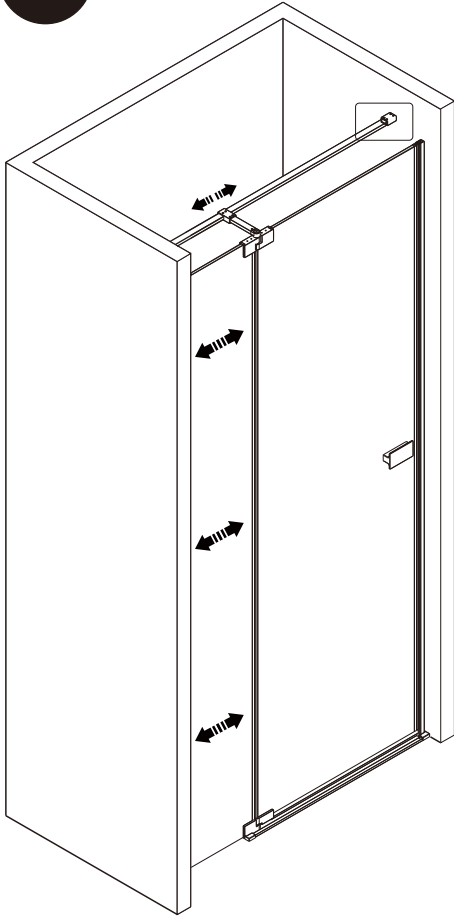
In this guide, this model is used to demonstrate the left opening



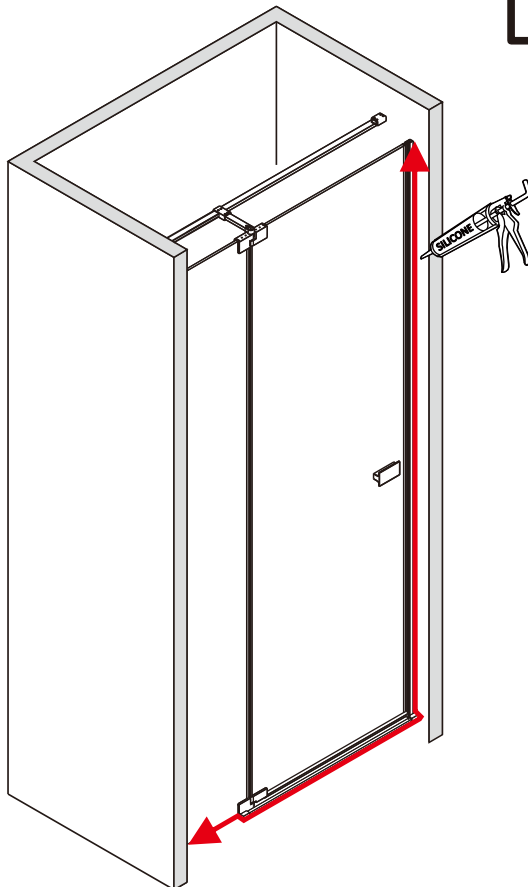
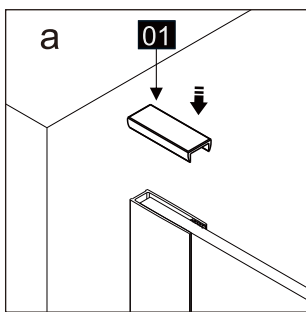
In this guide, this model is used to demonstrate the right opening

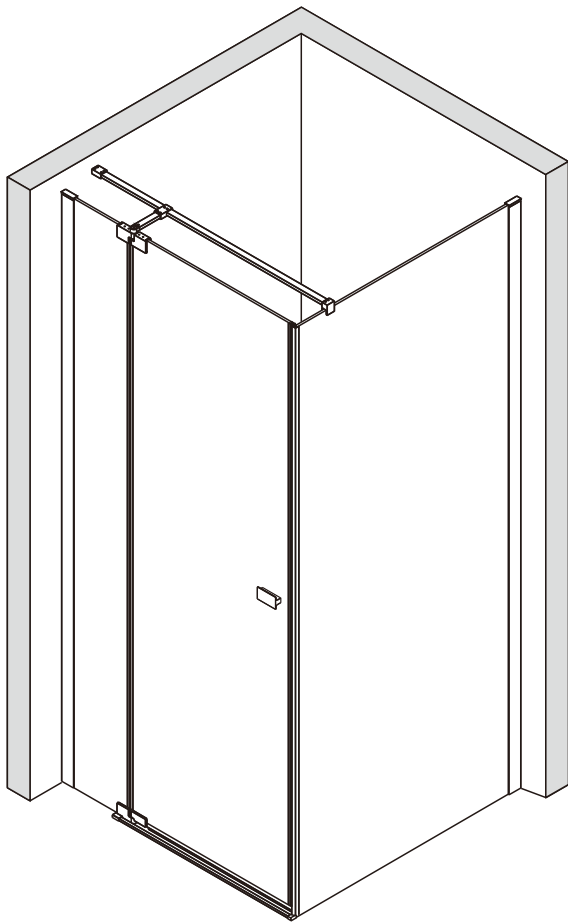


10

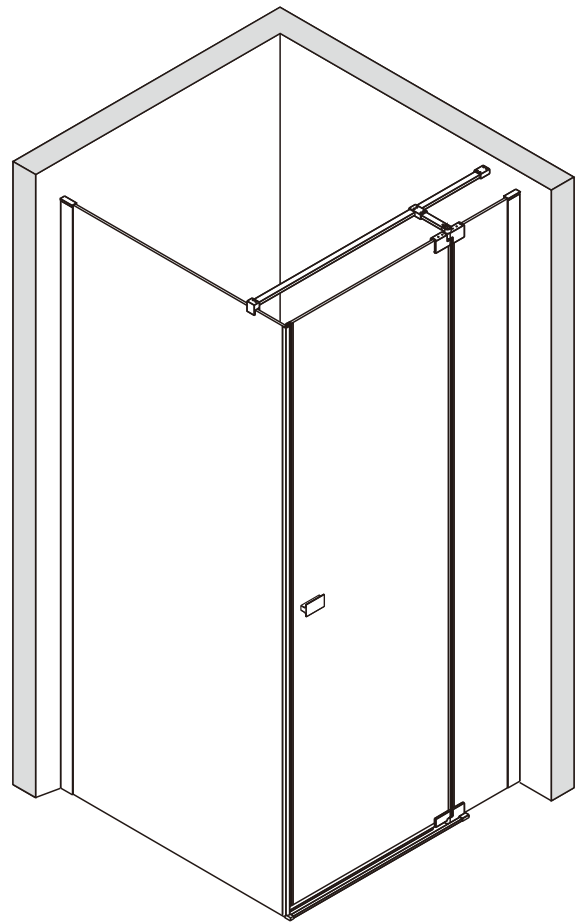


11





L



R

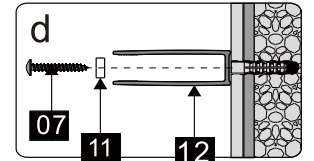
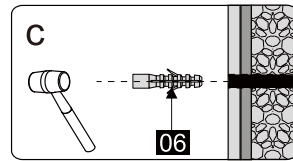
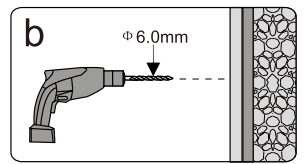
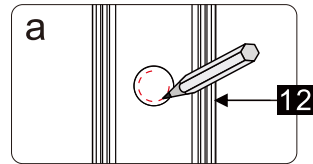
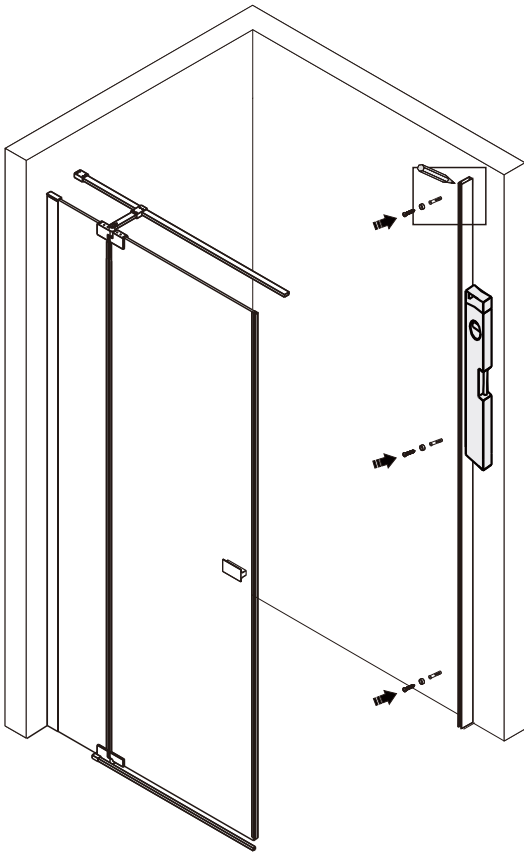
| | |
|-------|------|
| 41034 | 800 |
| 41035 | 900 |
| 41036 | 1000 |
| 41037 | 1100 |
| 41038 | 1200 |
| 41164 | 1400 |

+

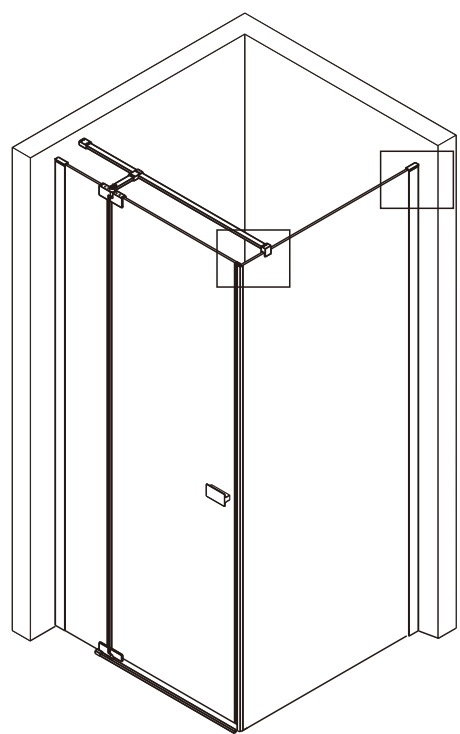
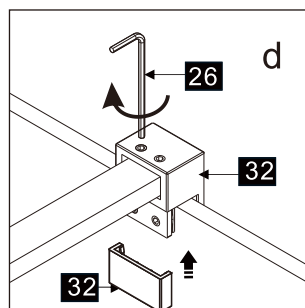
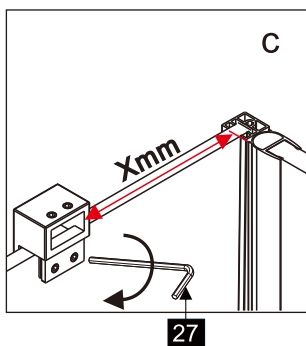
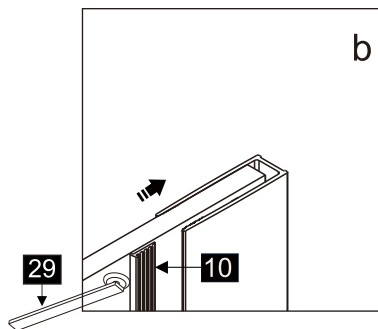
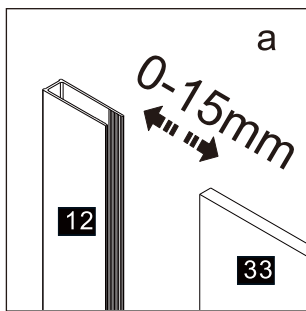
| | |
|-------|-----|
| 43015 | 760 |
| 43016 | 800 |
| 43017 | 900 |

12

In this guide, this model is used to demonstrate the left opening

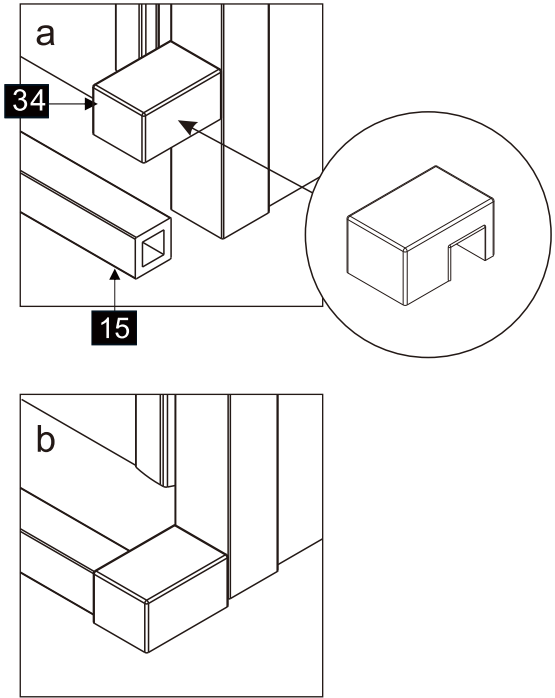
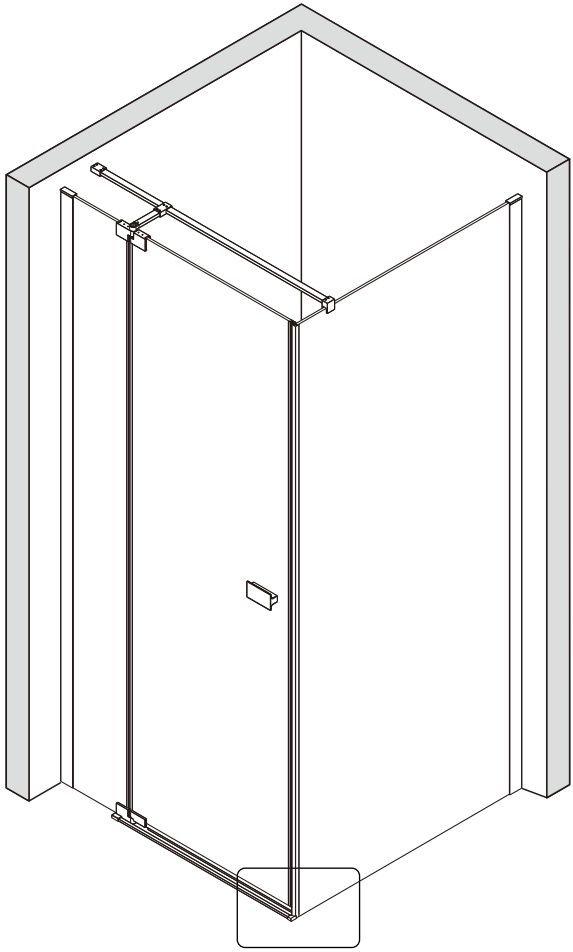


13

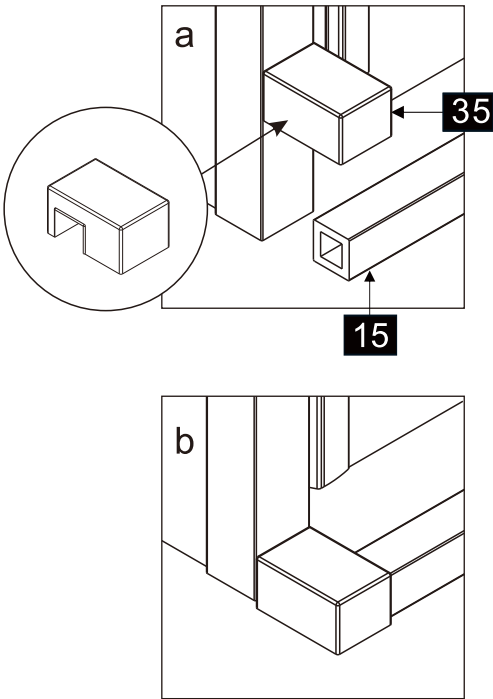
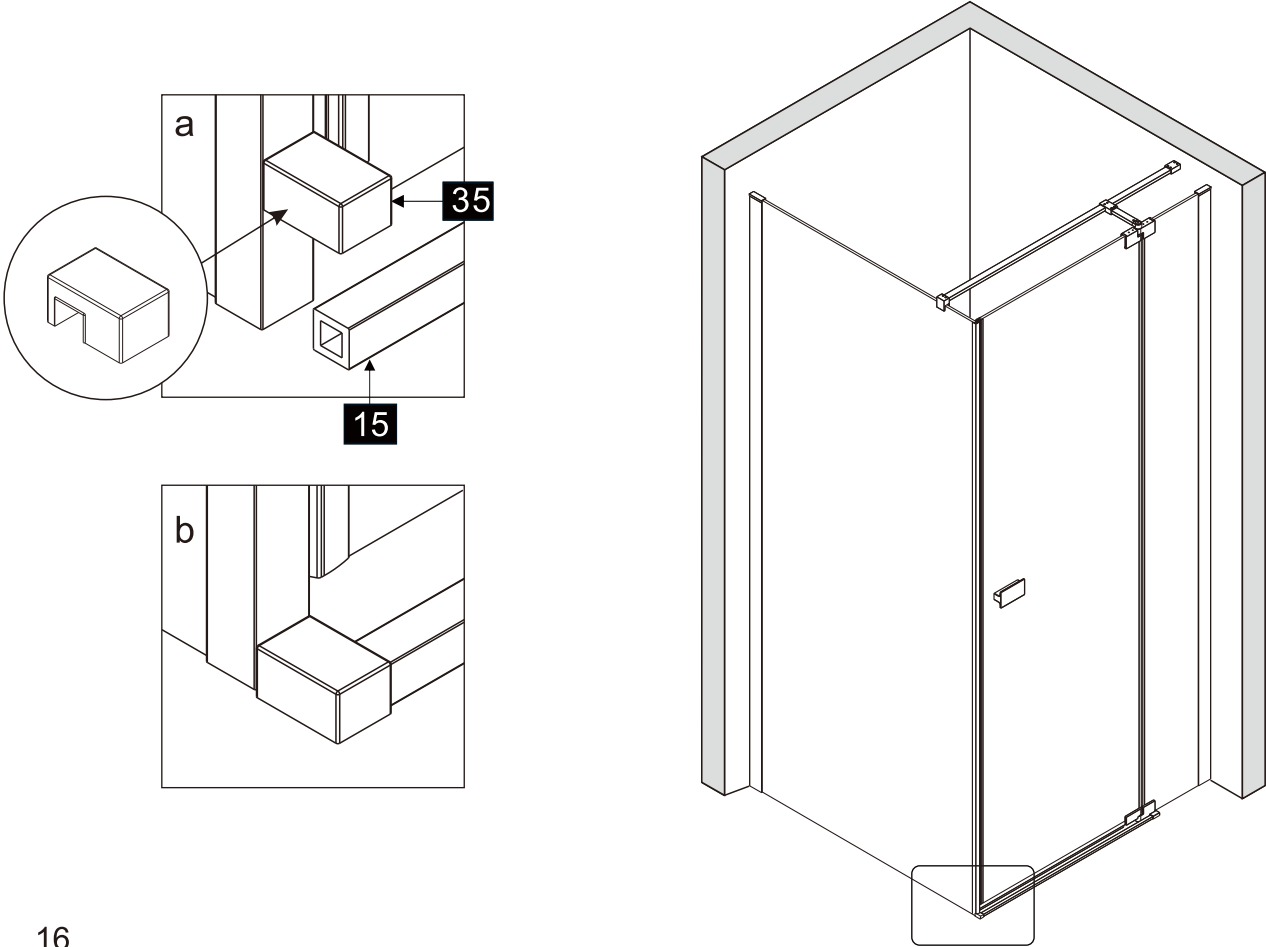


14

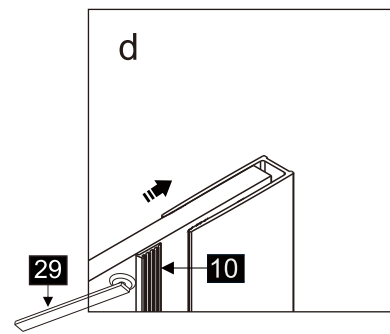
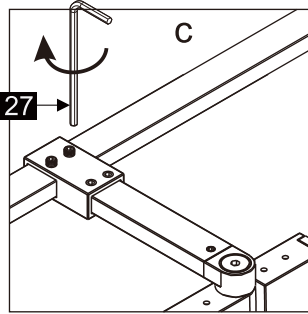
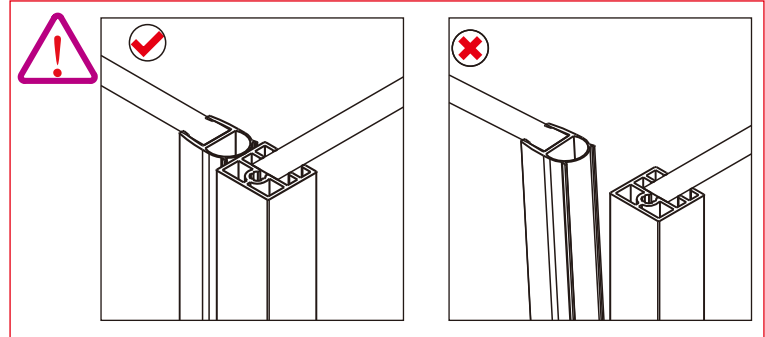
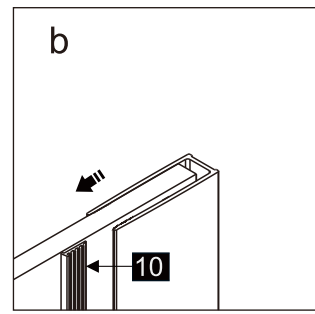
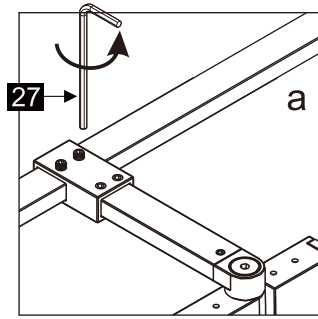
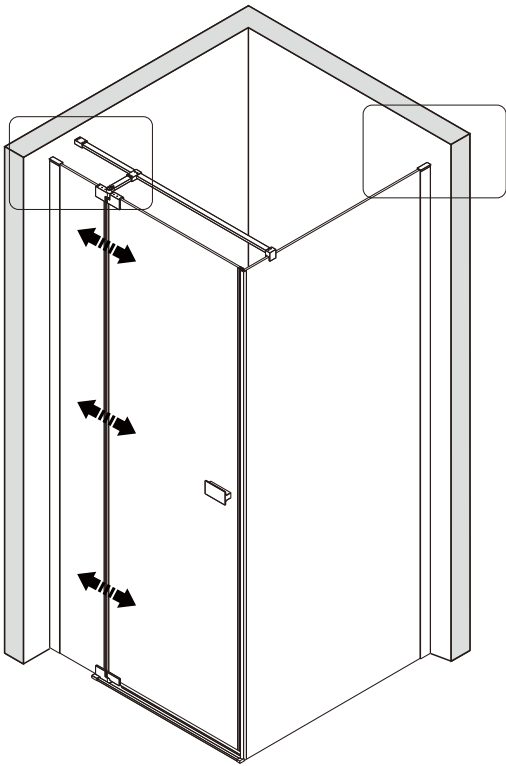
In this guide, this model is used to demonstrate the left opening



In this guide, this model is used to demonstrate the right opening



15



16

