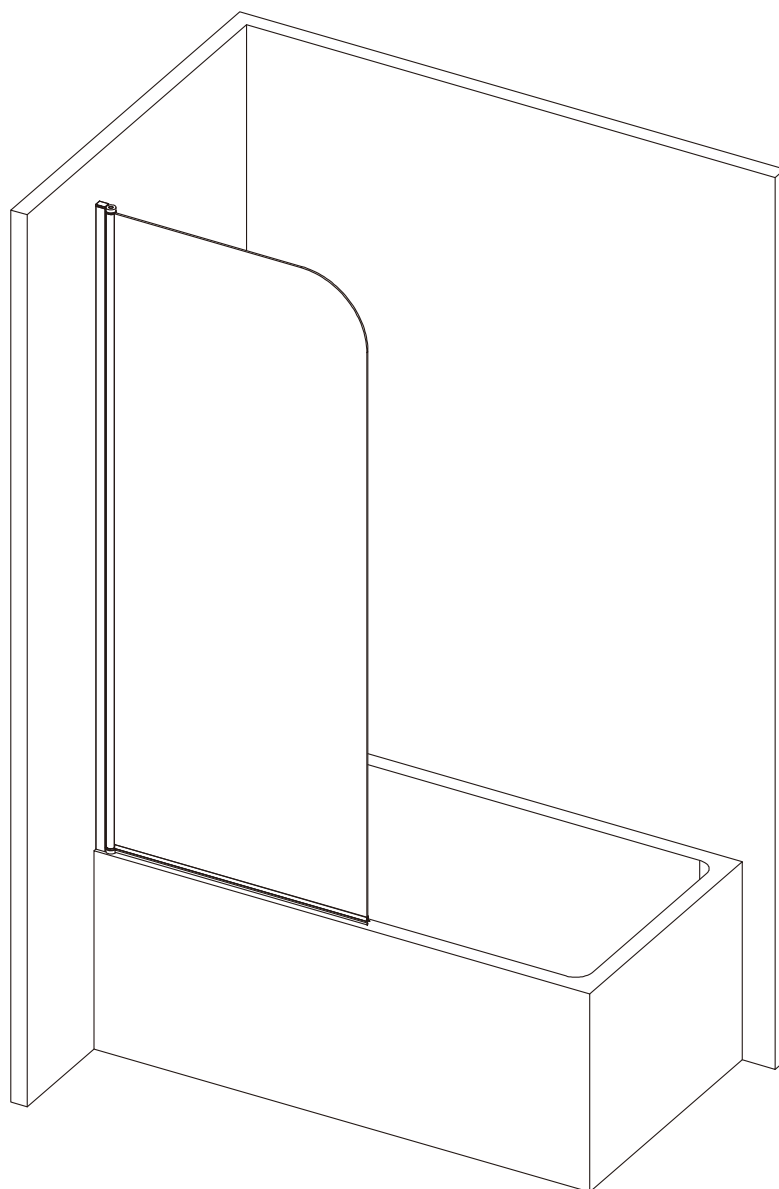


Installation Manual



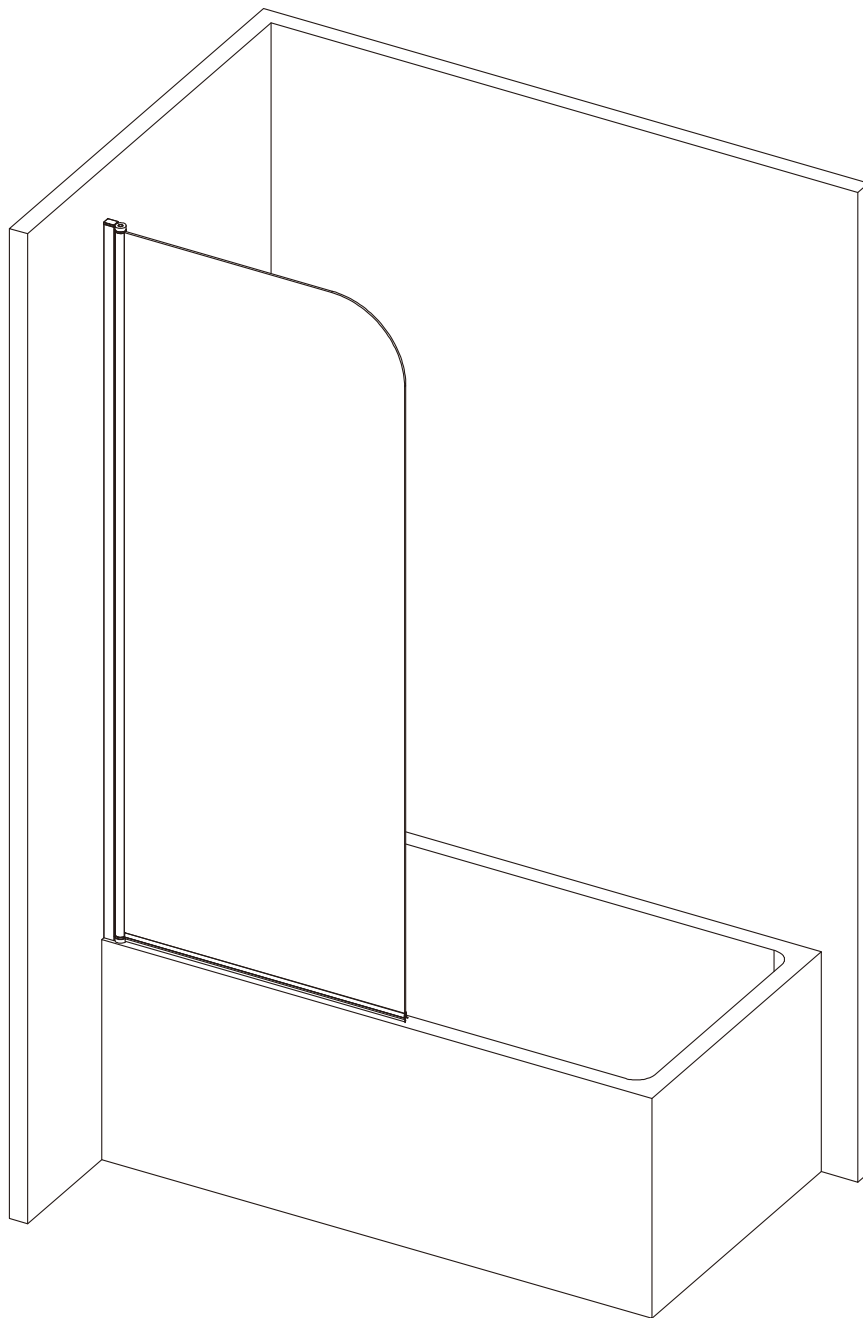
Apply for following models:

55060/55070/55191

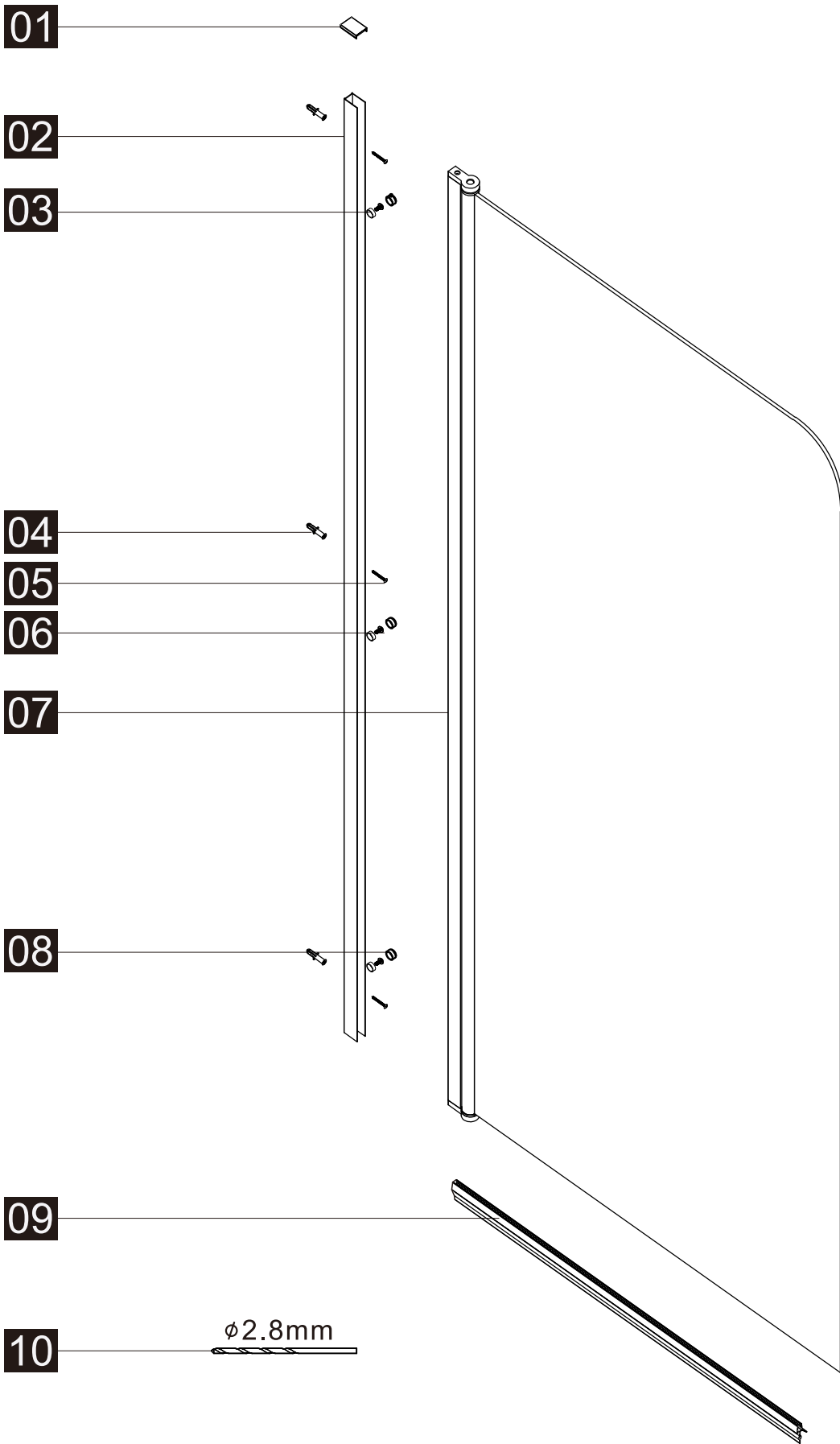
Please keep this page for your online registration.

No. FIENSEB20V5.0






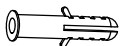




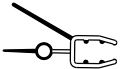
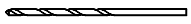


55060/55191	800
55070	1000



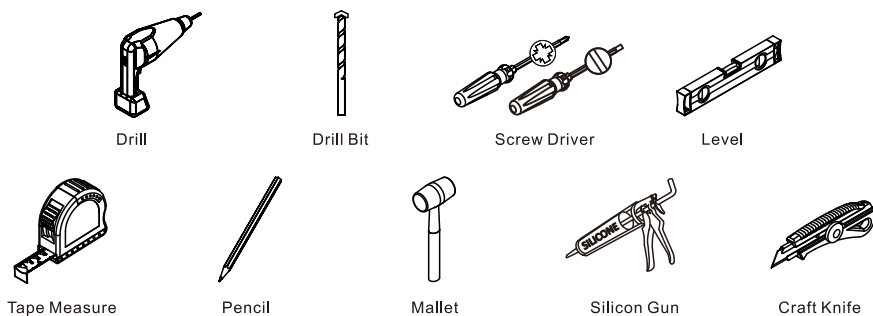
Attention: Before installation, please check whether the number and type of accessories are correct, and then install them. If there is any problem, please inform us as soon as possible. Thank you!

Parts List

Part Number	Image	Size(mm)	Quantity	Remark
01			1	
02			1	Aluminum profile
03			3	
04			3	
05		ST4X35	3	
06		ST4X10	3	
07			1	
08			3	
09			1	Seal
10		φ2.8mm	1	

You will need

To assemble your product (Tools not provided).



01

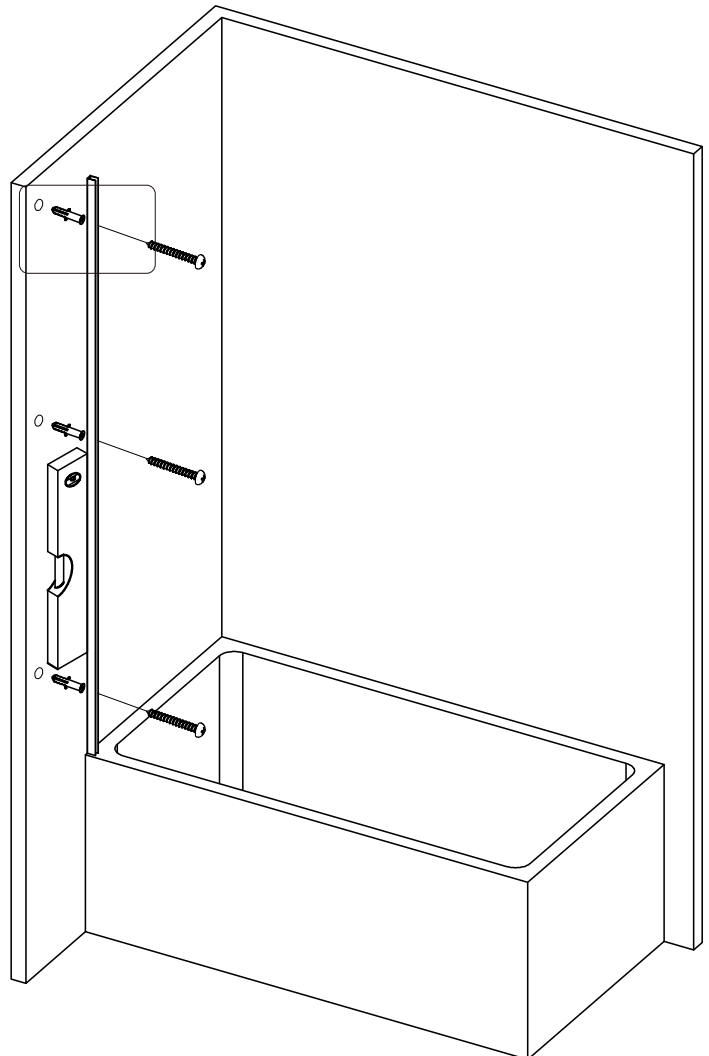
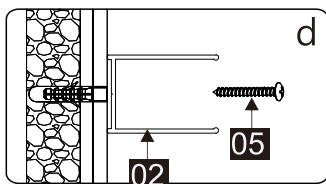
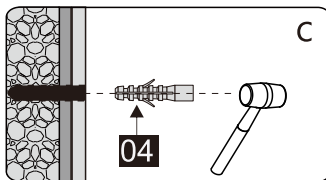
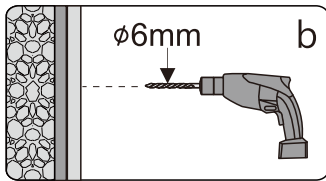
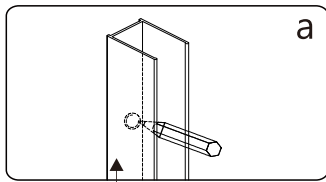
In this guide, this model is used to demonstrate the left opening

Ltem Code	A
55060/55191	785-800
55070	985-1000

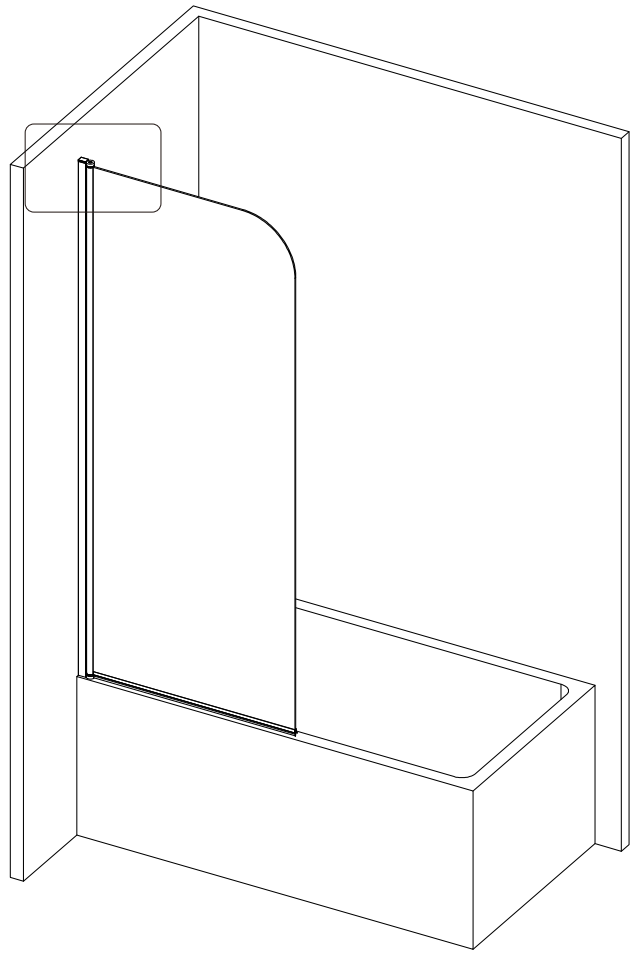
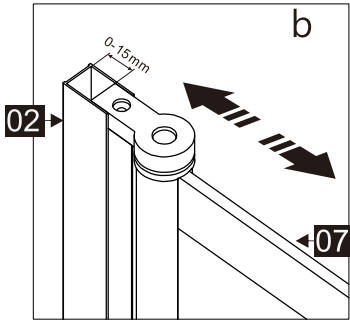
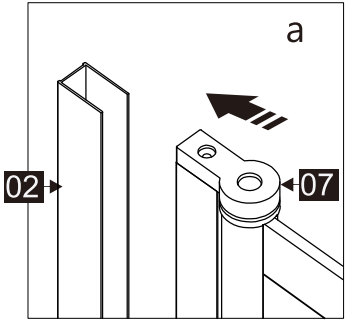


Note:

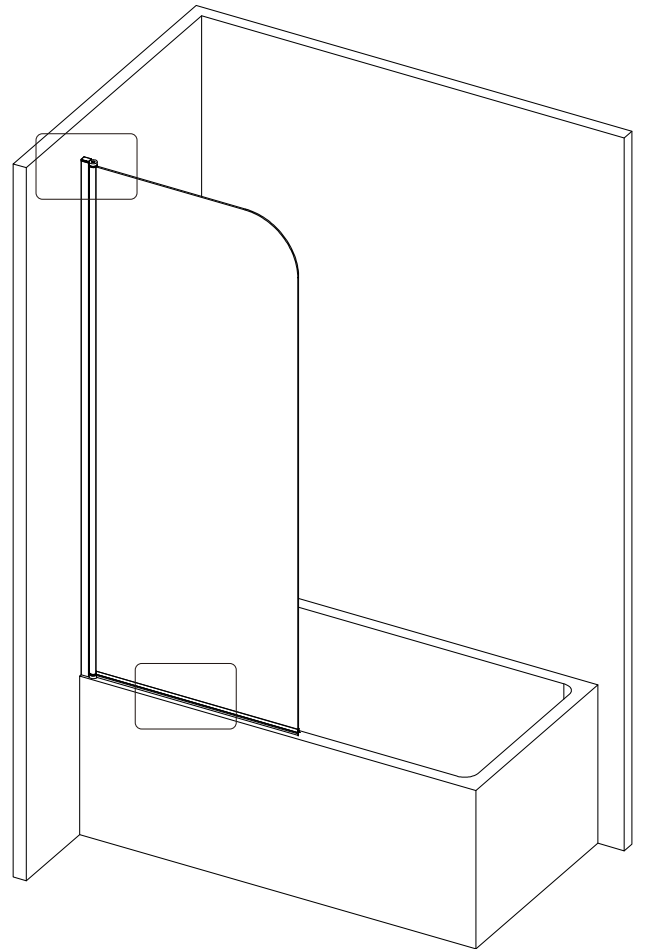
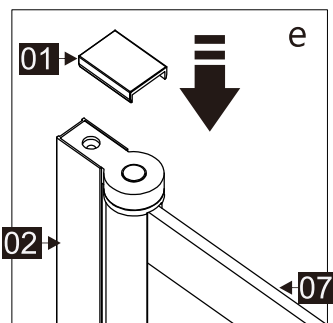
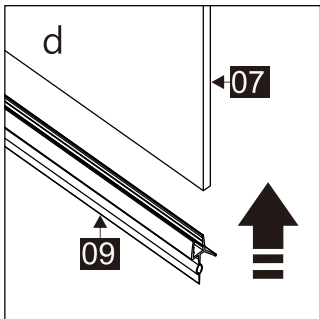
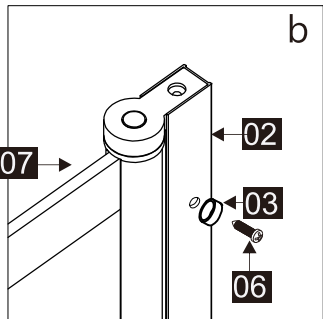
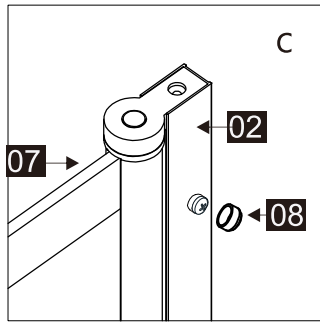
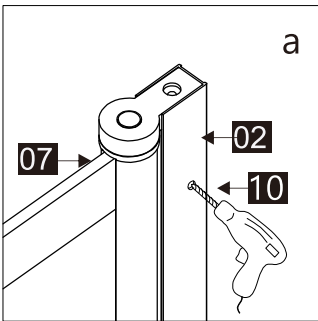
In consideration of the influence of walls and tiles, the actual installation size will be smaller than the size declared on the website, but it will not affect the normal usage. The adjustment shall be subject to the manual instructions.



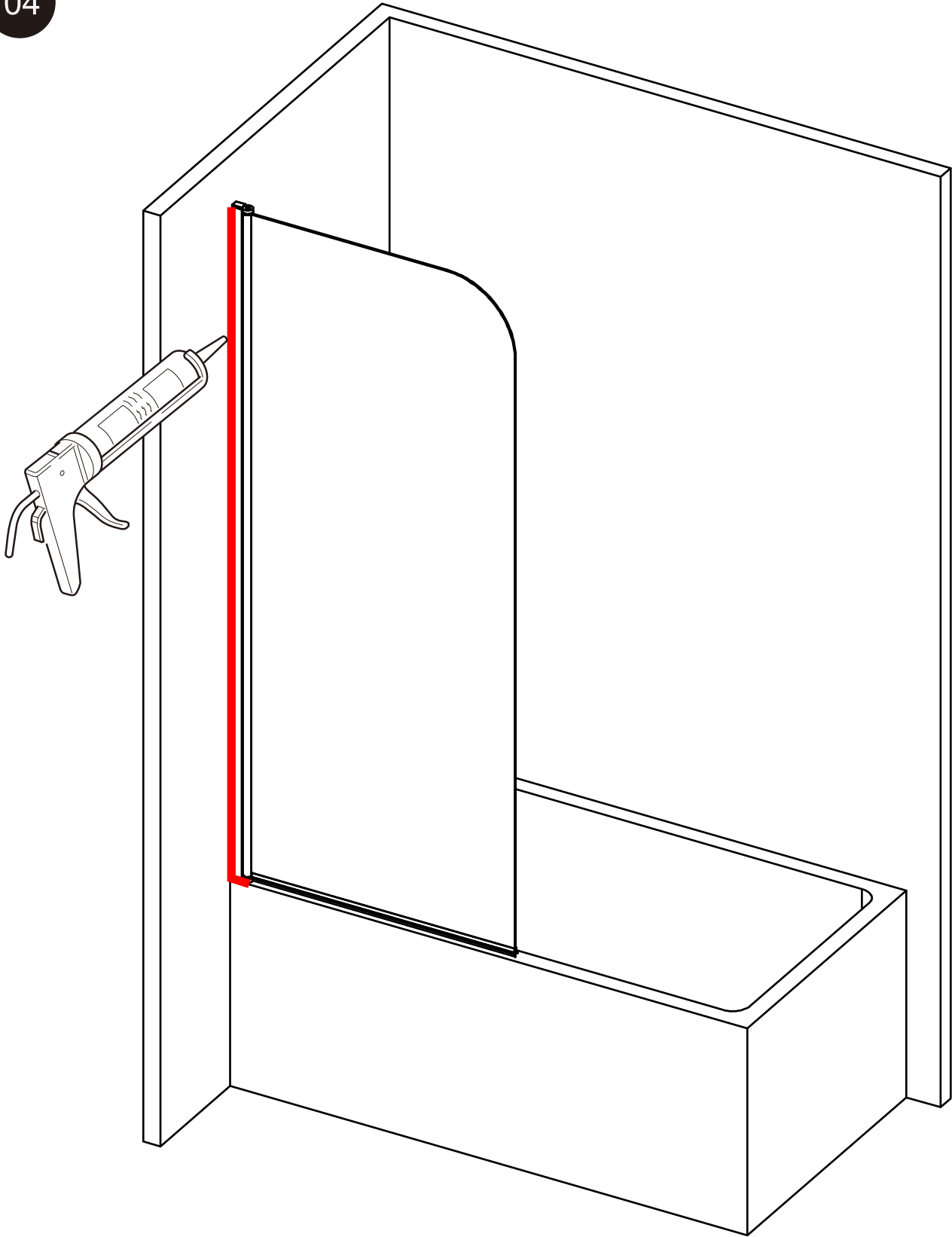
02



03



04



24 h 