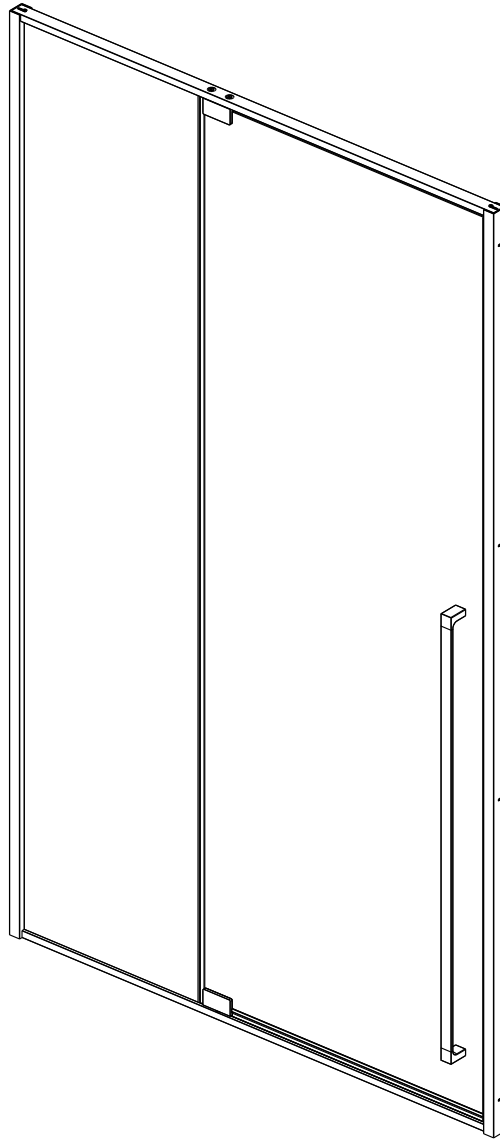


Installation Manual



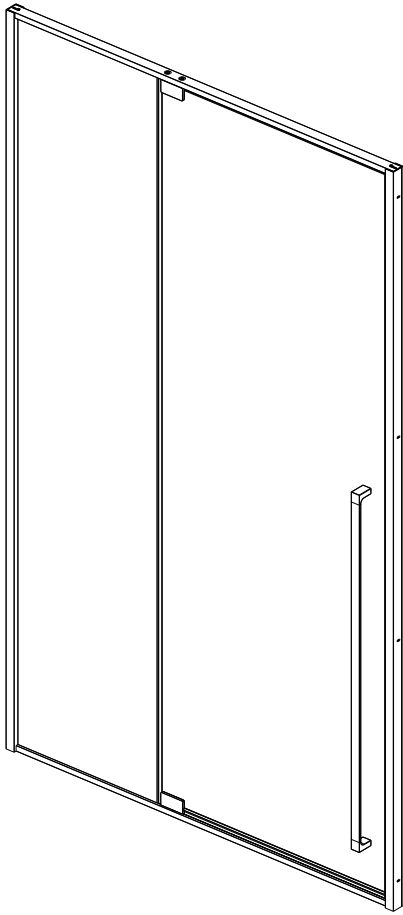
Apply for following models:

**41328/41329/41330/41331
41332/41333/41334/41335
41336/41337/41338/41339
41340/41341/41342/41343
41344/41345/41346/41347
41348/41349/41350/41351
41352/41353/41354/41355
41356/41357/41358/41359
41360/41361/41362/41363
41364/41365/41366/41367**

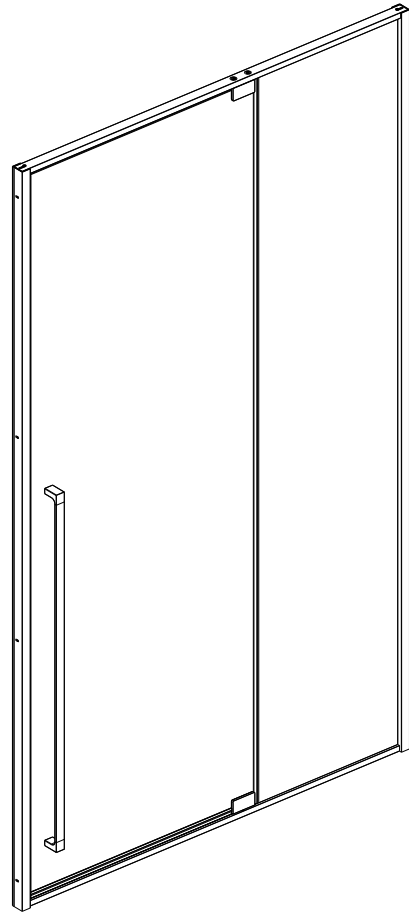
Please keep this page for your online registration.

No. FIENSEL05V1.0





L



R

41328	41336	41344	41352	41360	1000
41329	41337	41345	41353	41361	1100
41330	41338	41346	41354	41362	1200
41331	41339	41347	41355	41363	1400
41332	41340	41348	41356	41364	1500
41333	41341	41349	41357	41365	1600
41334	41342	41350	41358	41366	1700
41335	41343	41351	41359	41367	1800

◆ General Information

Please inspect the product immediately upon receipt for transit damage, missing packs/parts or manufacturing fault. Damage reported later cannot be accepted. Please handle the product with care avoiding knocks and shock loading to all sides and edges of the glass.

Notes: Safety glass can not be re-worked.

Please read these instructions carefully before start of installation.

Special care should be taken when drilling walls to avoid hidden pipes or electrical cables.

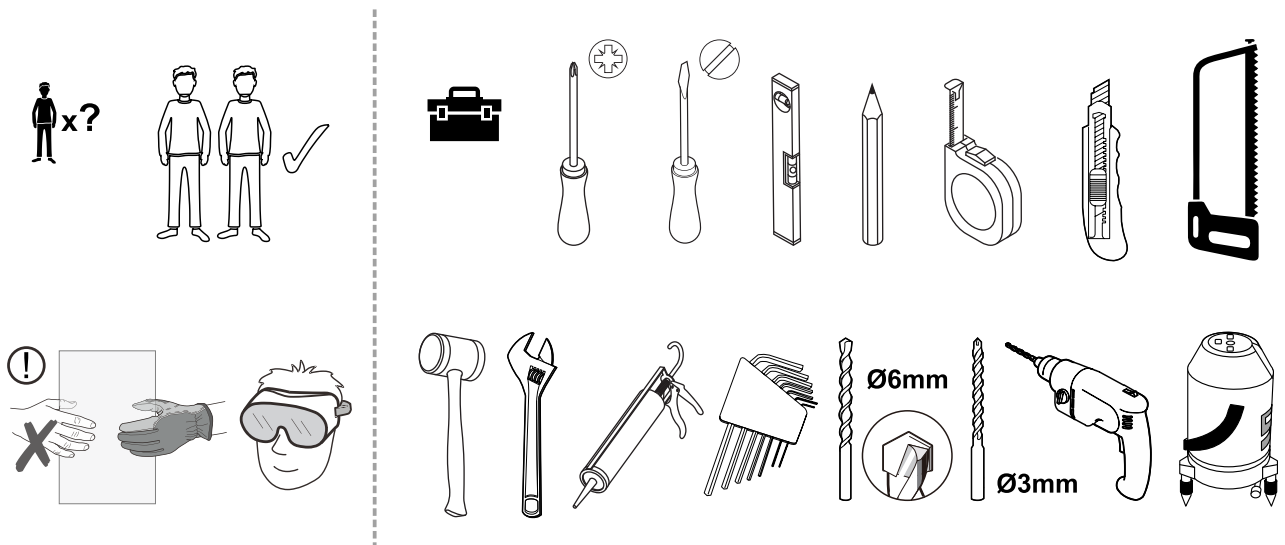
Note: This product is heavy and may require two people to install.

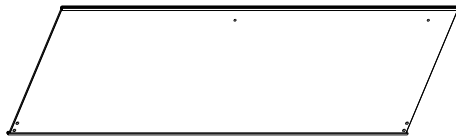
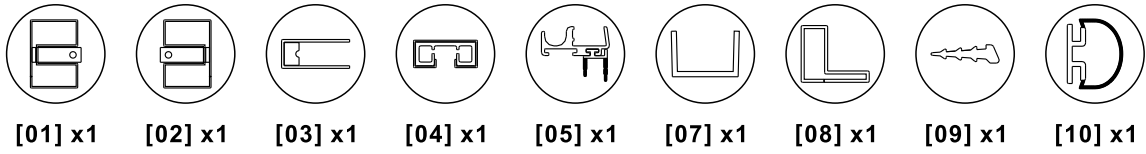
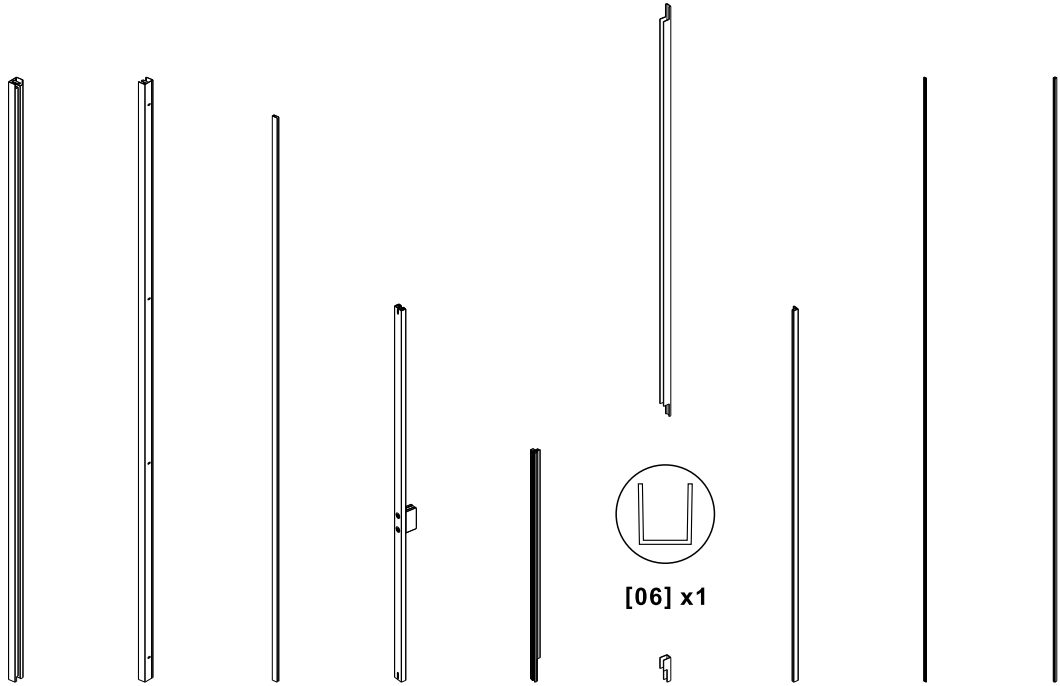
Aftercare instructions

After use, your shower should be cleaned with soap and water. This is particularly important in hard water districts where insoluble lime salts may be deposited and allowed to build up. Cleaners of a gritty or abrasive nature should not be used. Care should be taken to avoid contact with strong chemicals such as organic solvents and strippers.

Glass cleaners can be used but with caution, if in doubt contact the manufacturer of the cleaner in question.

Please keep these instructions for aftercare and customer service details.

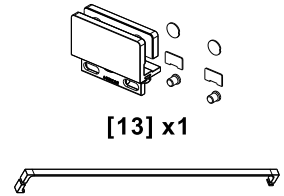




[11] x1



[12] x1



[13] x1

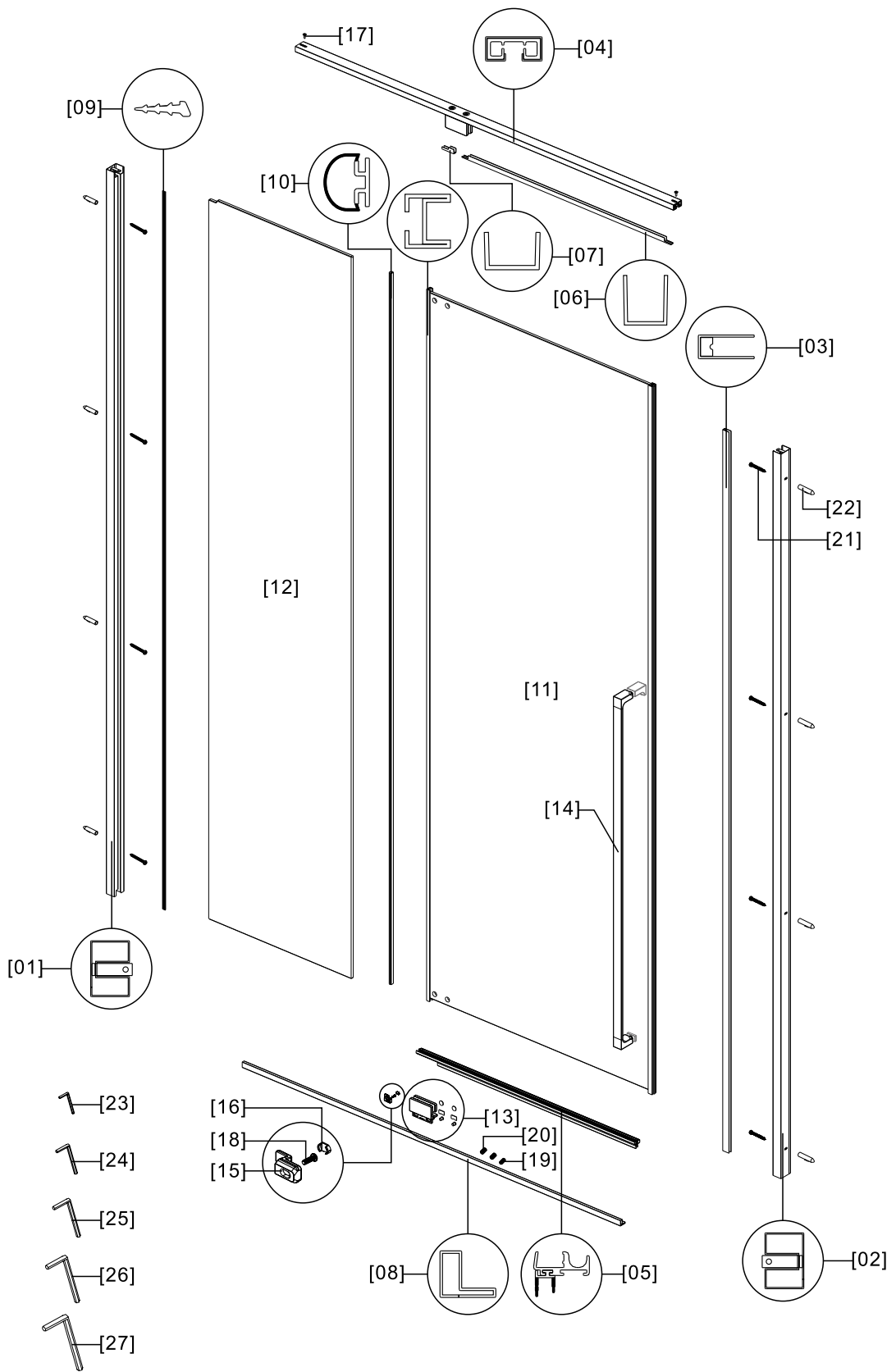
[14] x1

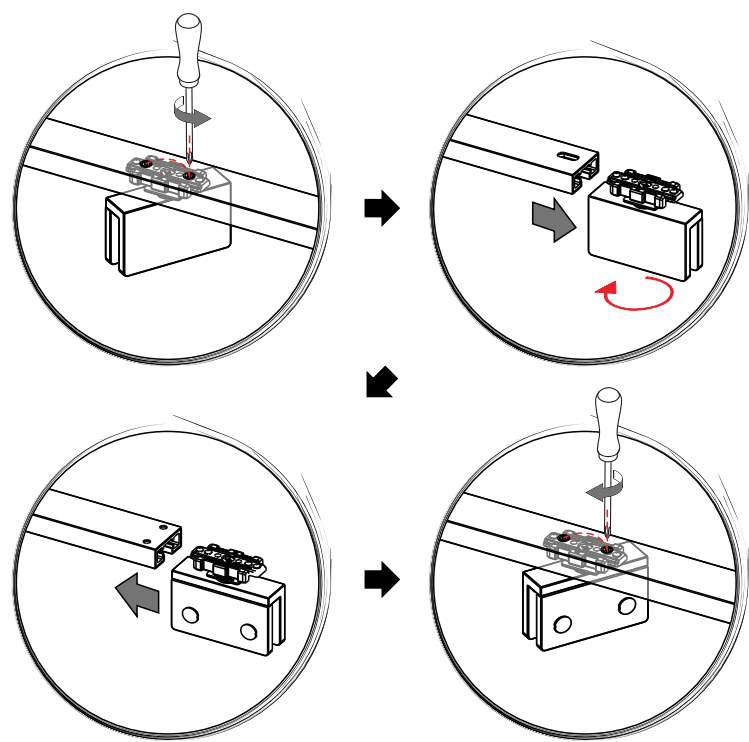
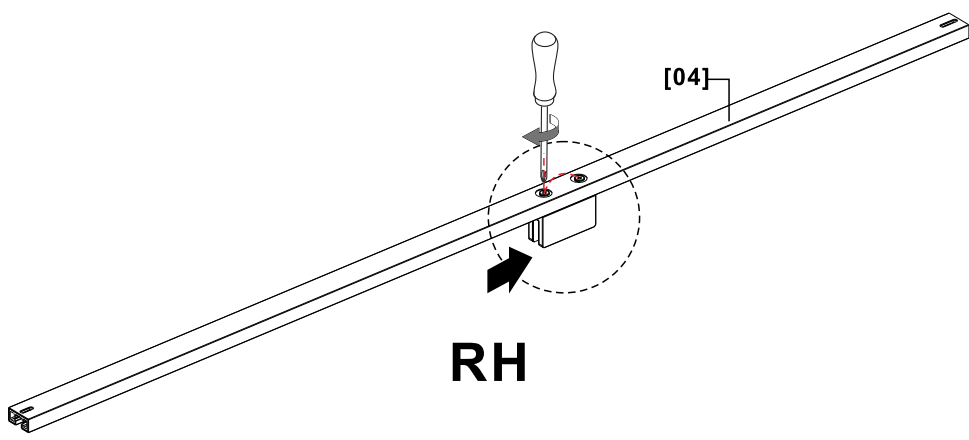
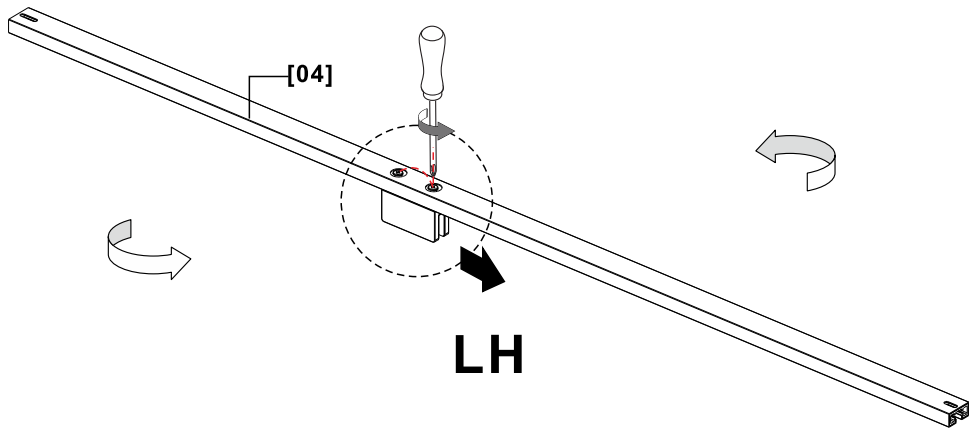


[15] x1 [16] x1 [17] x2 (M4x10) [18] x1 (M4x8) [19] x1 (M4x5) [20] x2 (M6x5) [21] x8 (ST4x35)



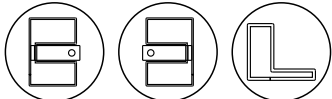
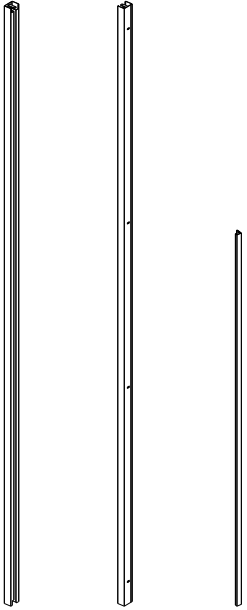
[22] x8 [23] x1 (2MM) [24] x1 (2.5MM) [25] x1 (3MM) [26] x1 (4mm) [27] x1 (5mm)



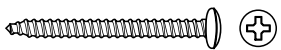




01



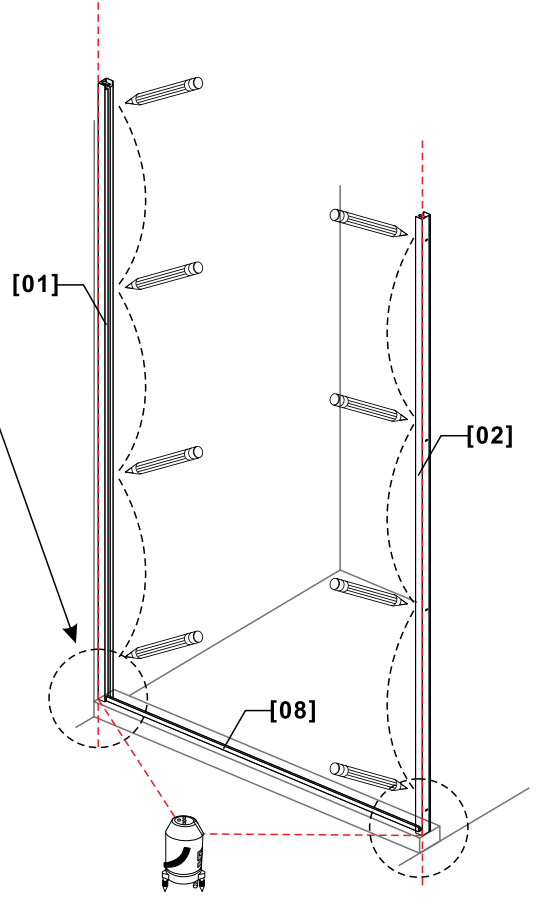
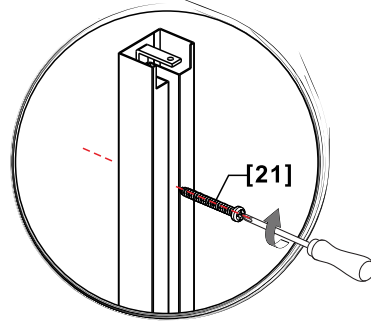
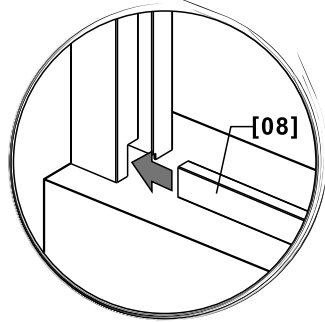
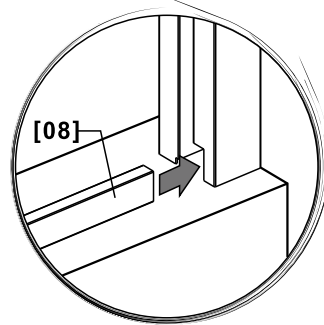
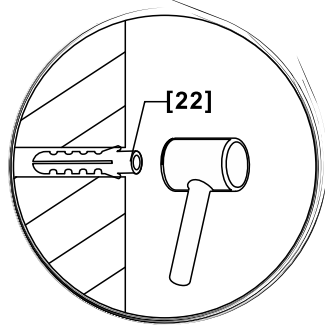
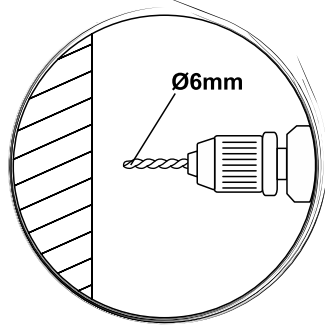
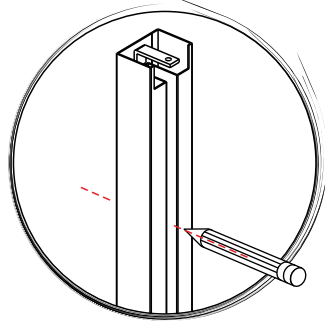
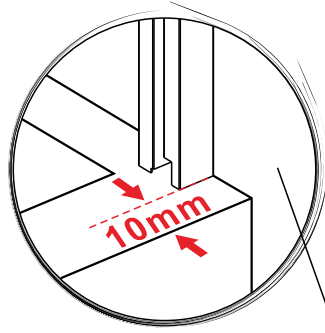
[01] x1 [02] x1 [08] x1



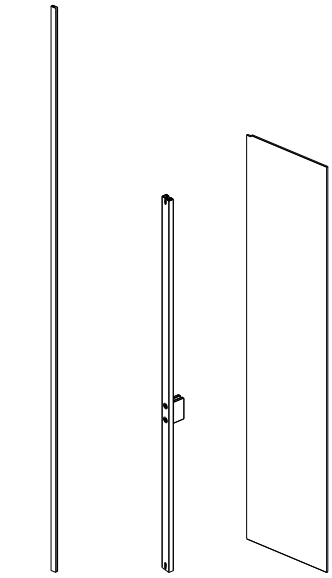
[21] x8 (ST4x35)



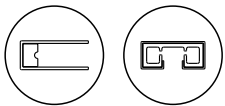
[22] x8



02

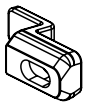


[12] x1



[03] x1

[04] x1



[15] x1



[16] x1



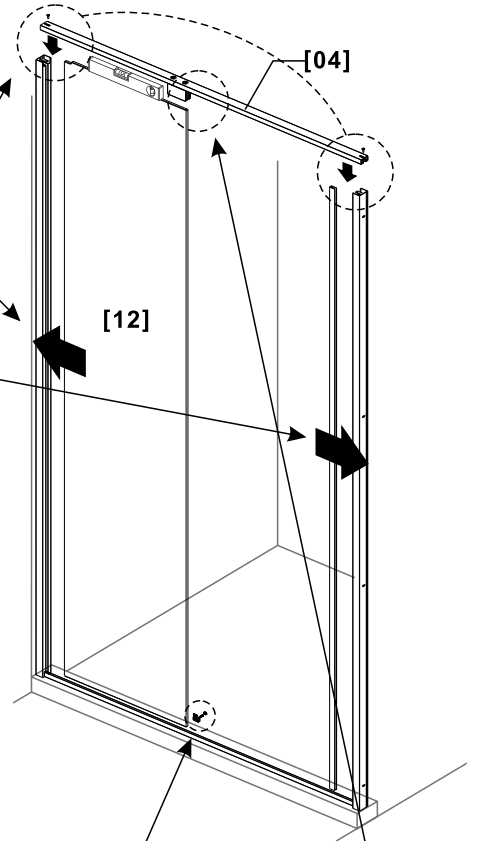
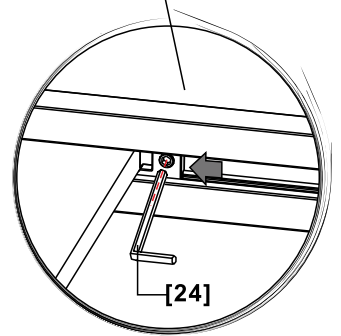
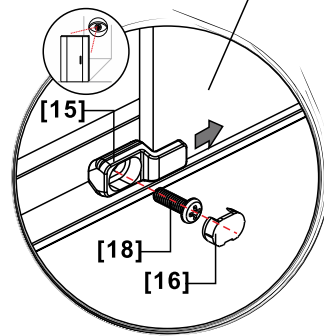
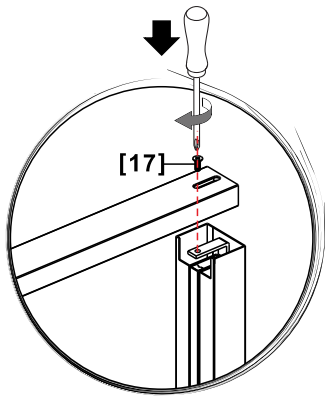
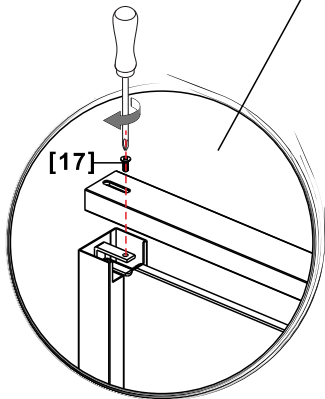
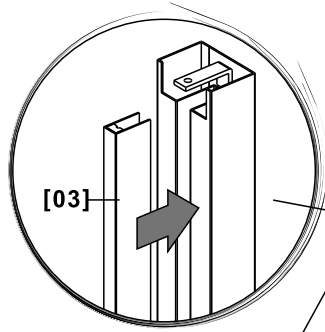
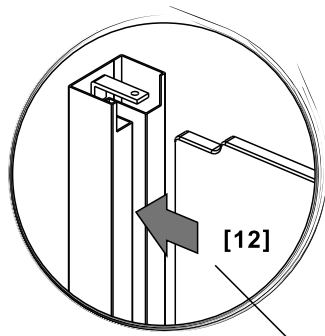
[17] x2 (M4x10)



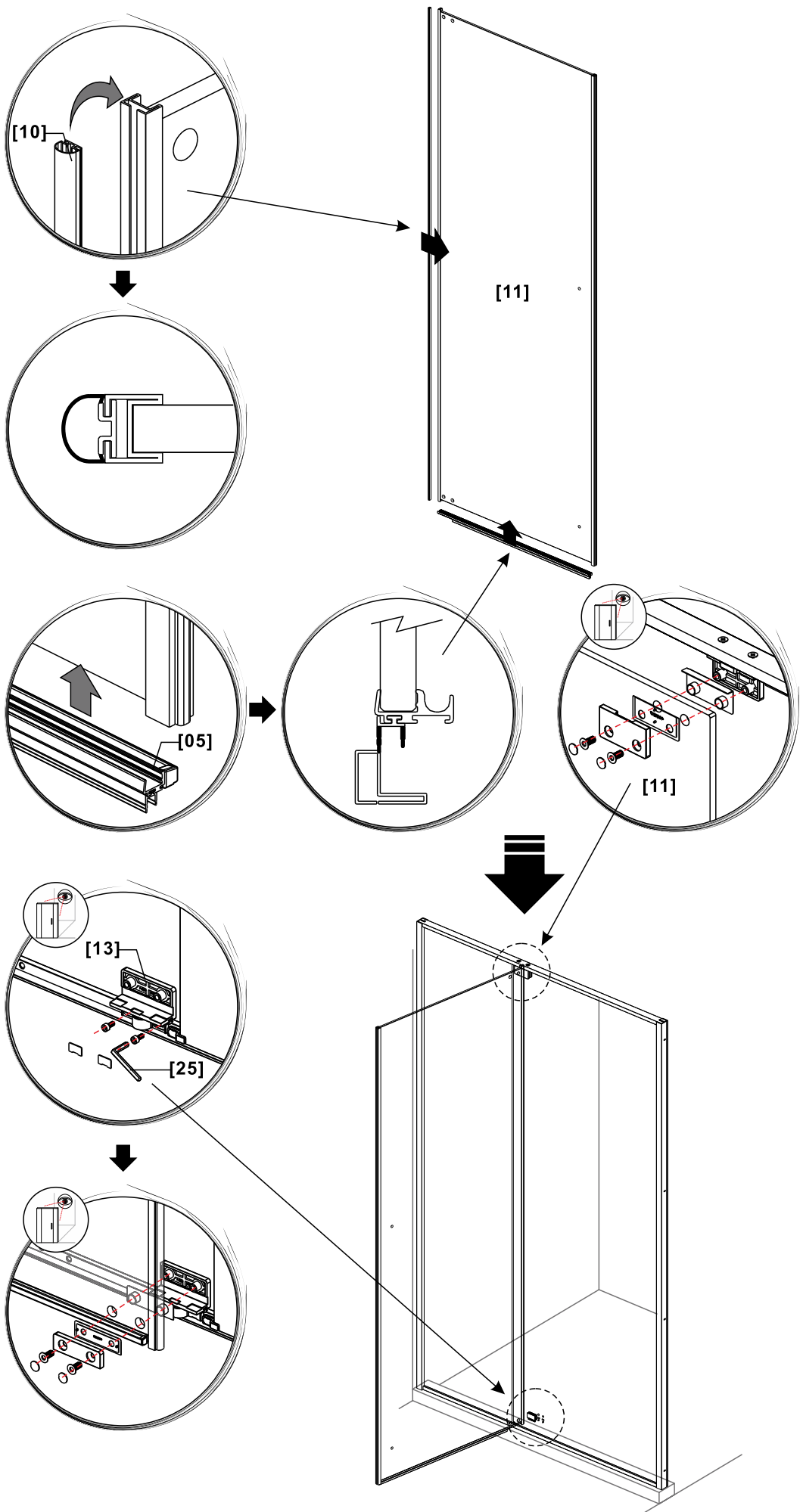
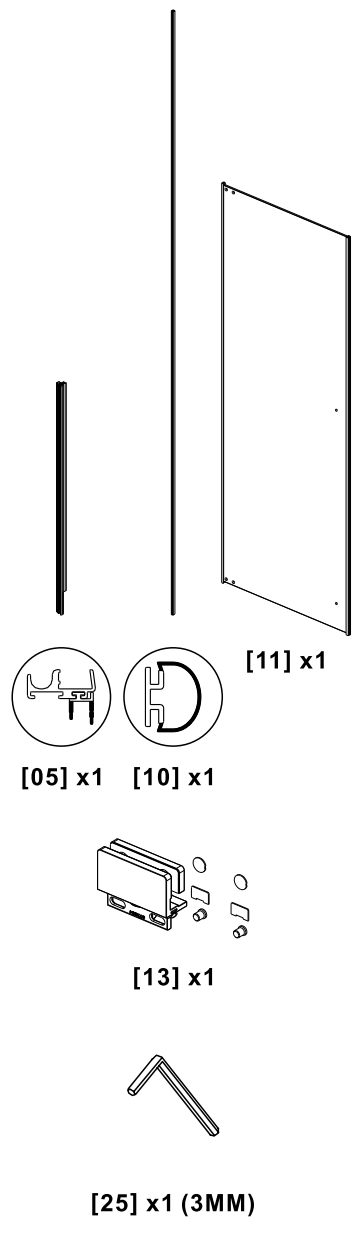
[18] x1 (M4x8)



[24] x1 (2.5MM)



03



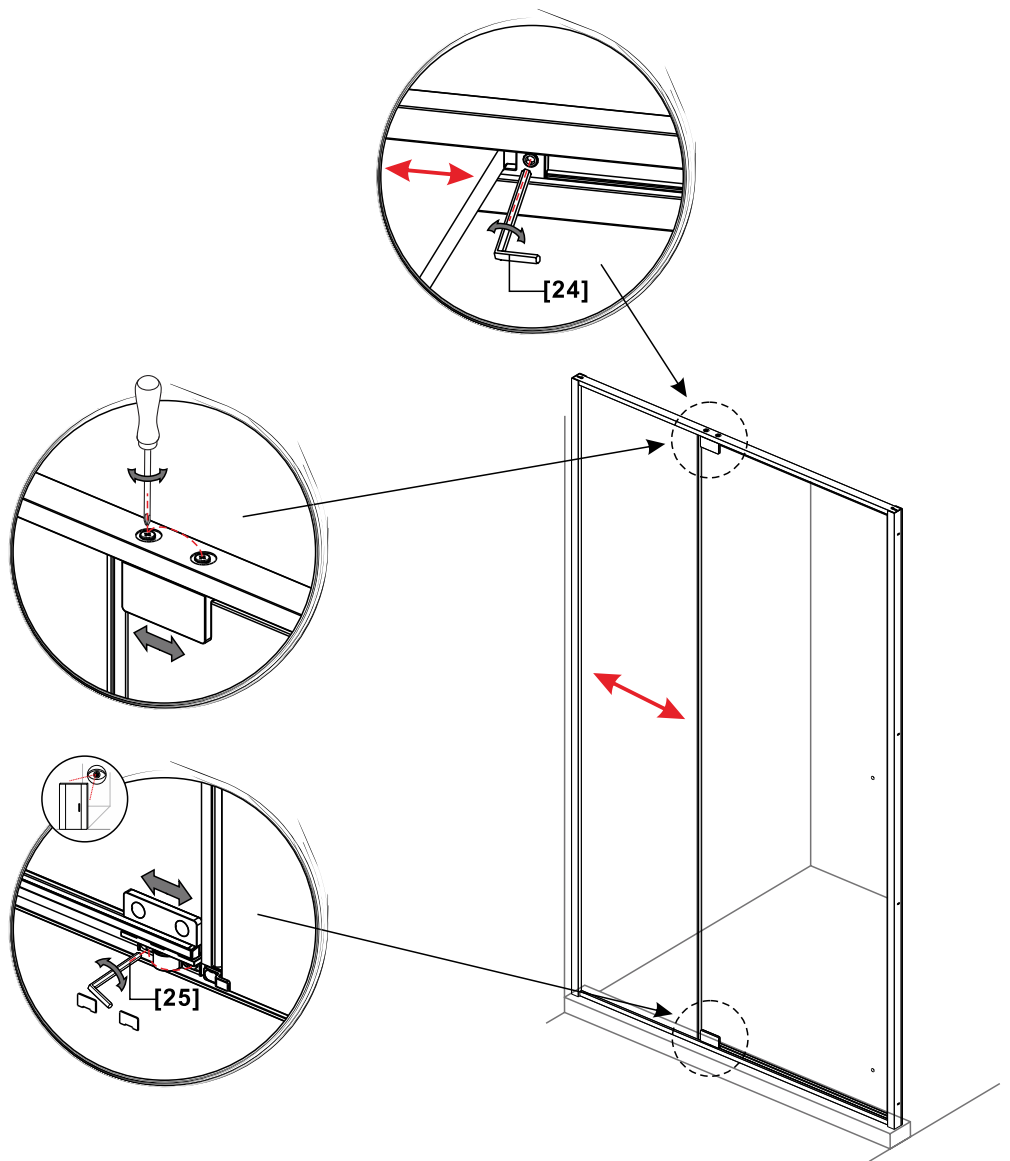
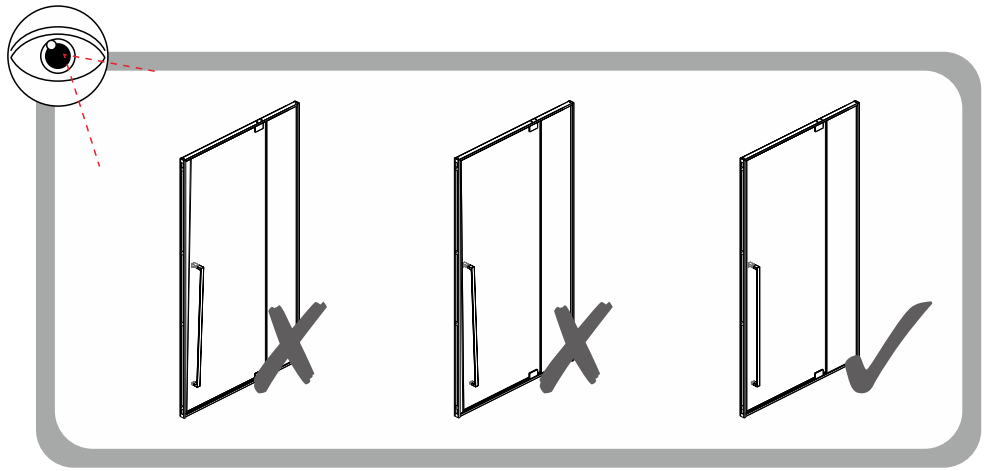
04



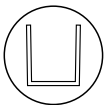
[24] x1 (2.5MM)



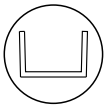
[25] x1 (3MM)



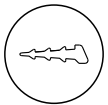
05



[06] x1



[07] x1



[09] x1



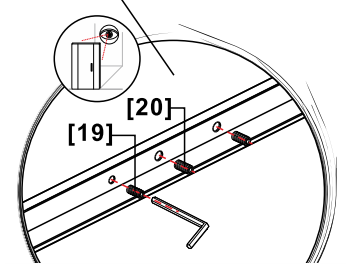
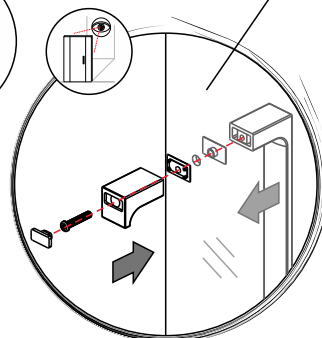
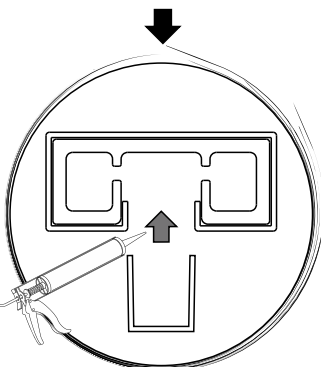
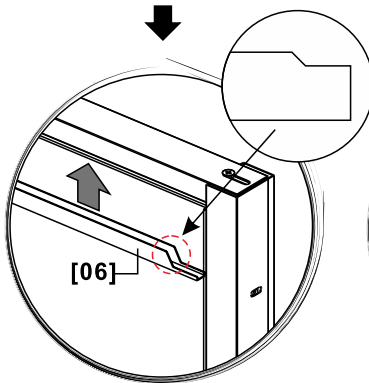
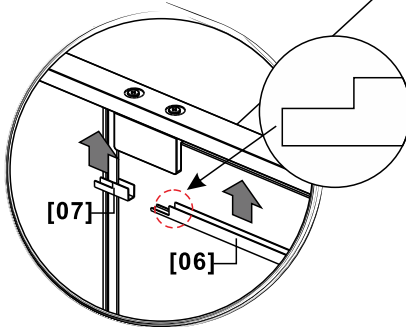
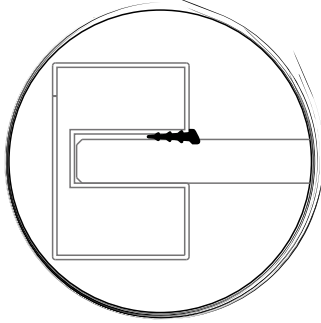
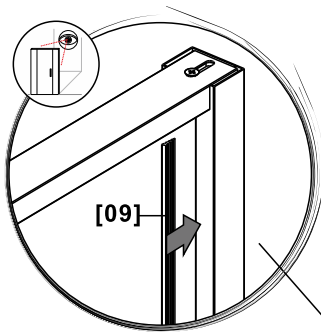
[14] x1



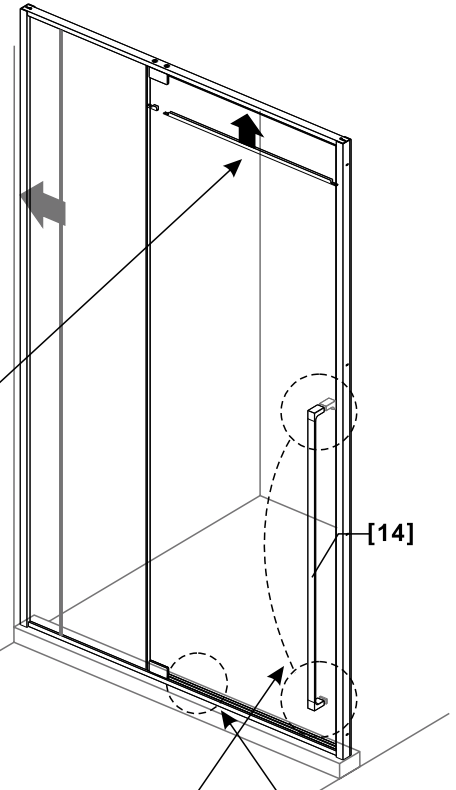
[19] x1 (M4x5)



[20] x2 (M6x5)



Tighten the screw until flush with the bottom profile, no need to fully tighten.



06

