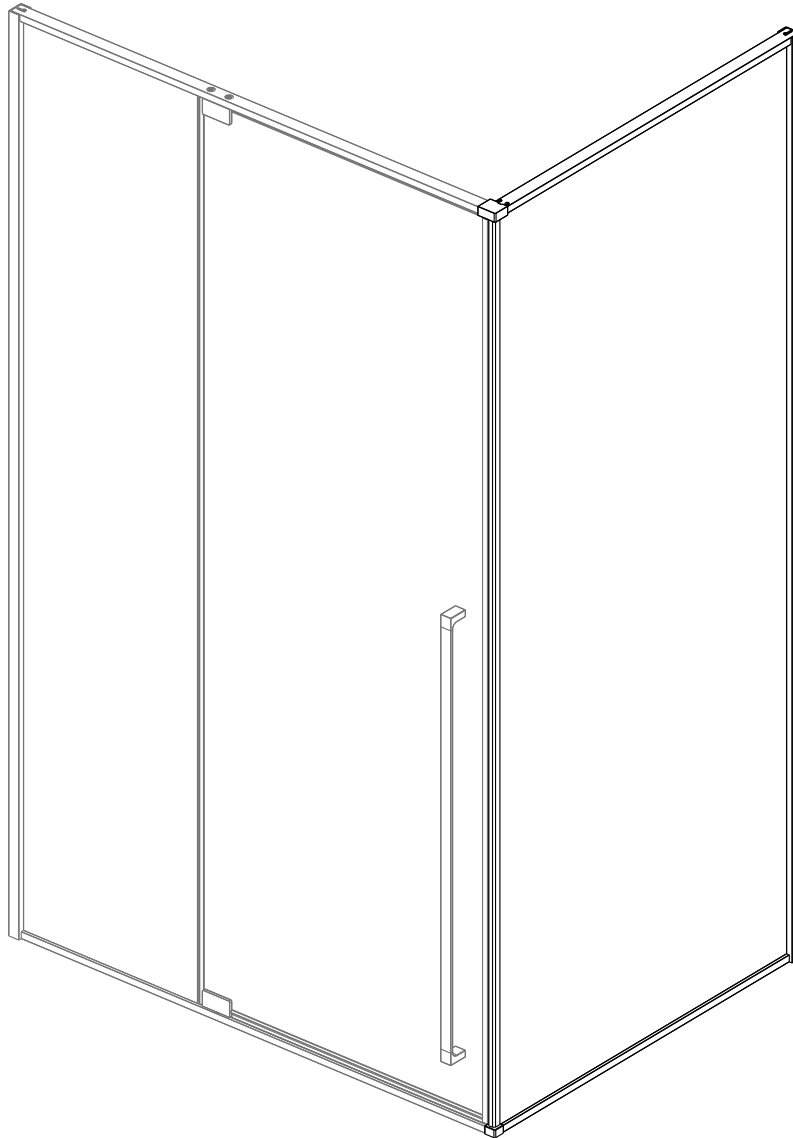


Installation Manual



Apply for following models:

41396/41397/41398/41399
41400/41401/41402/41403
41404/41405/41406/41407
41408/41409/41410

Please keep this page for your online registration.

No. FIENSEL06V1.0





L

R

41396	41399	41402	41405	41408	700
41397	41400	41403	41406	41409	800
41398	41401	41404	41407	41410	900

◆ General Information

Please inspect the product immediately upon receipt for transit damage, missing packs/parts or manufacturing fault. Damage reported later cannot be accepted. Please handle the product with care avoiding knocks and shock loading to all sides and edges of the glass.

Notes: Safety glass can not be re-worked.

Please read these instructions carefully before start of installation.

Special care should be taken when drilling walls to avoid hidden pipes or electrical cables.

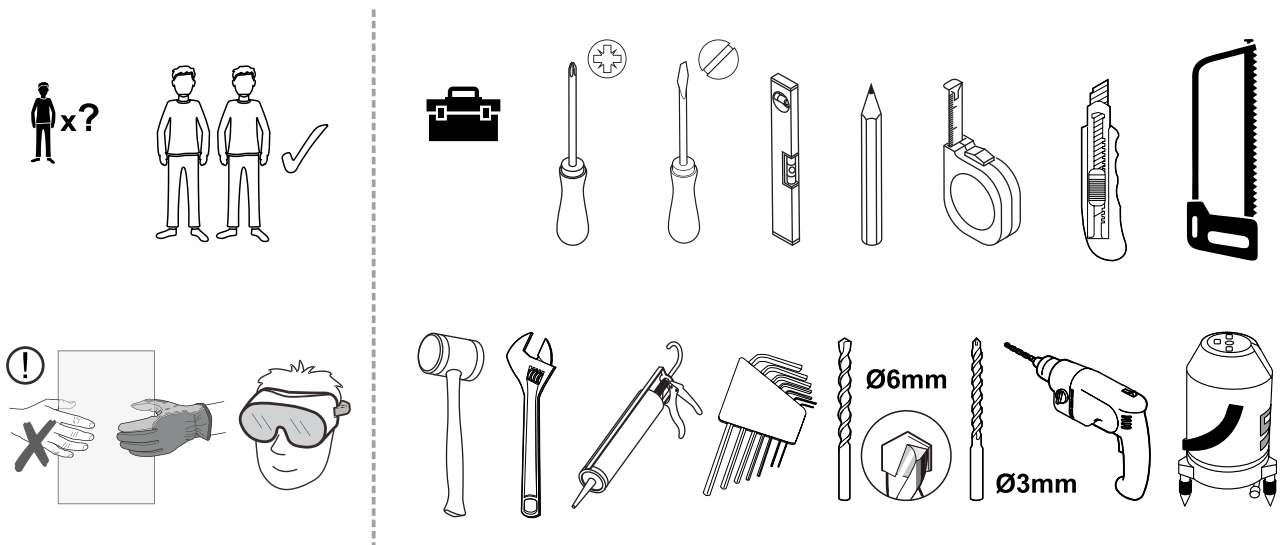
Note: This product is heavy and may require two people to install.

Aftercare instructions

After use, your shower should be cleaned with soap and water. This is particularly important in hard water districts where insoluble lime salts may be deposited and allowed to build up. Cleaners of a gritty or abrasive nature should not be used. Care should be taken to avoid contact with strong chemicals such as organic solvents and strippers.

Glass cleaners can be used but with caution, if in doubt contact the manufacturer of the cleaner in question.

Please keep these instructions for aftercare and customer service details.

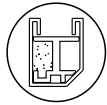
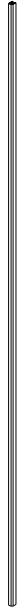




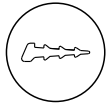
[01] x1



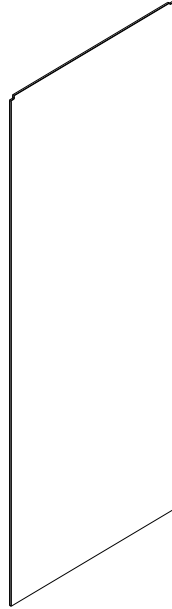
[02] x1



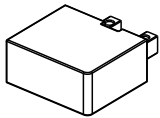
[03] x1



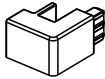
[08] x1



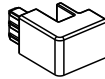
[04] x1



[05] x1



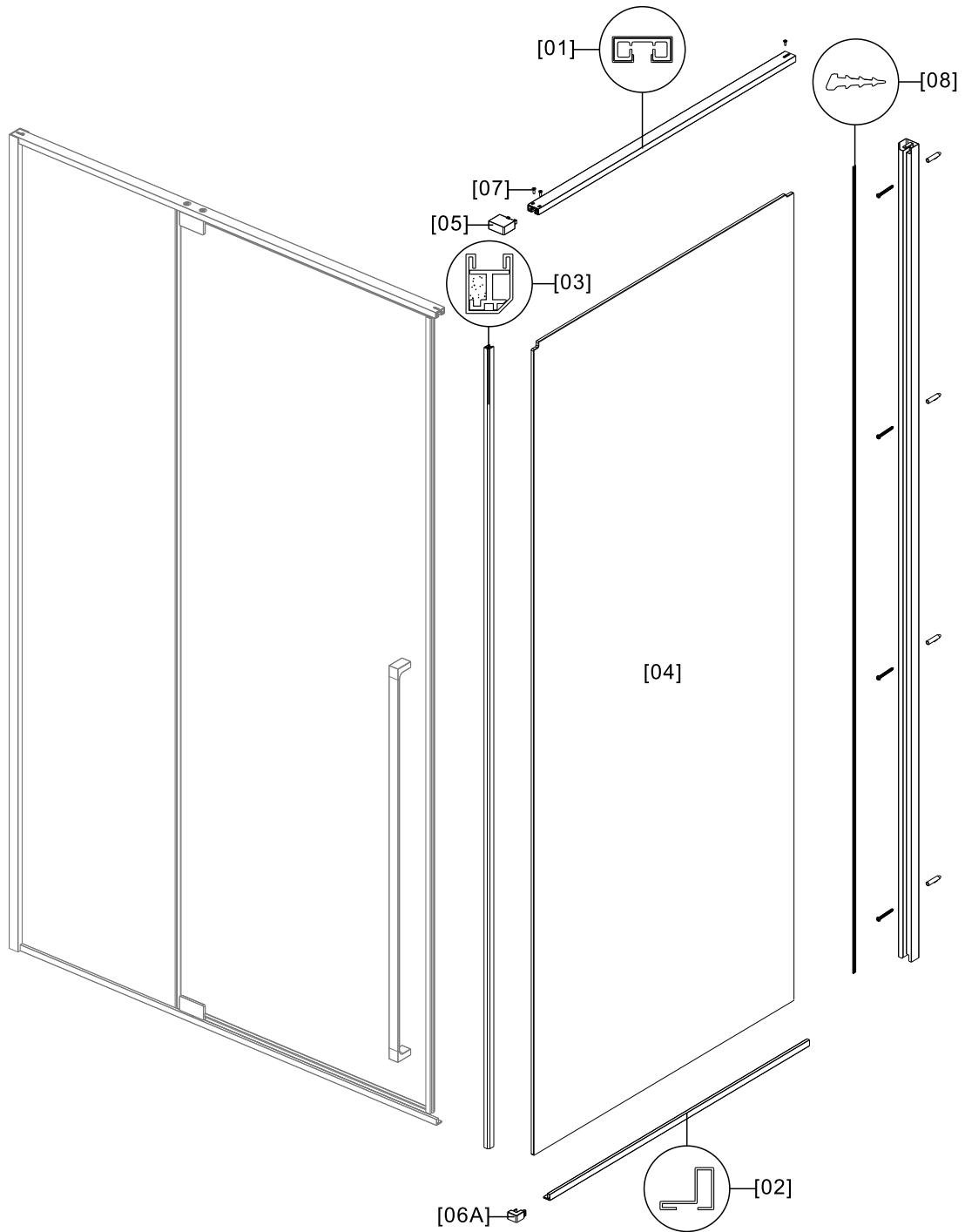
[06A] x1



[06B] x1



[07] x2 (M4x12)



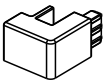
ITEM	DESCRIPTION	700mm (41396/41399/41402/ 41405/41408)	800mm (41397/41400/41403/ 41406/41409)	900mm (41398/41401/41404/ 41407/41410)
1	8mm Upper Inner Profile (Side)	653	753	853
2	8mm Lower Press Strip (Side)	660	760	860
3	8mm 90° Magnetic Suction Profile	1965	1965	1965
4	Side Fixed Glass	663*1993*8	763*1993*8	863*1993*8
5	Upper Corner Joint	49.6*42.6*19.6	49.6*42.6*19.6	49.6*42.6*19.6
6A	Lower Corner Joint - R	35.9*24.9*17.1	35.9*24.9*17.1	35.9*24.9*17.1
6B	Lower Corner Joint - L	35.9*24.9*17.1	35.9*24.9*17.1	35.9*24.9*17.1
7	Cross Recessed Countersunk Head Machine Screw	M4*12	M4*12	M4*12



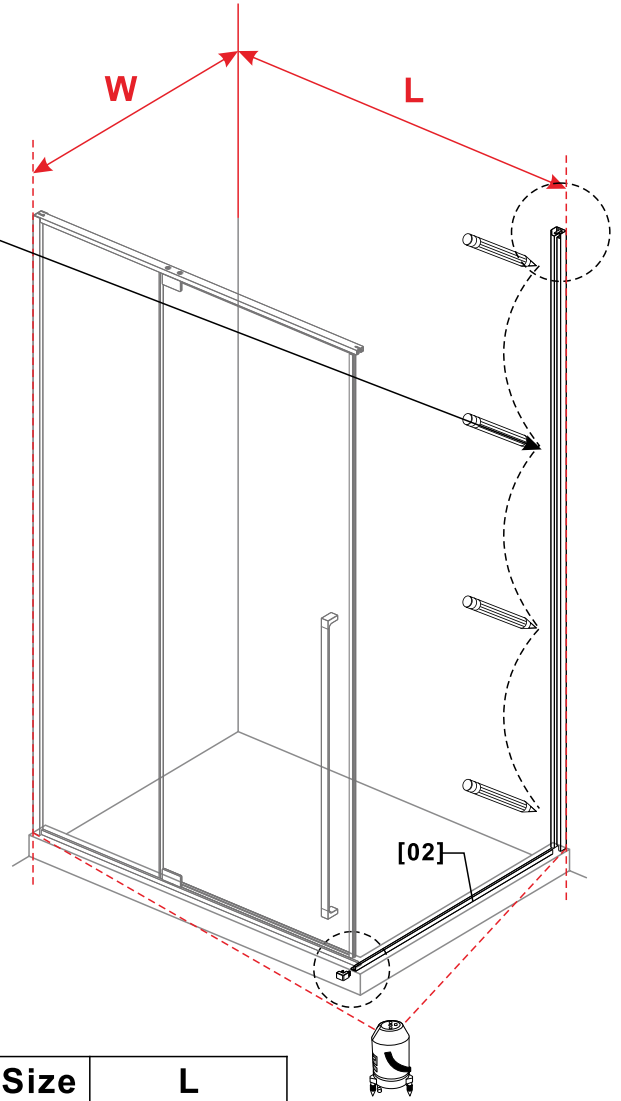
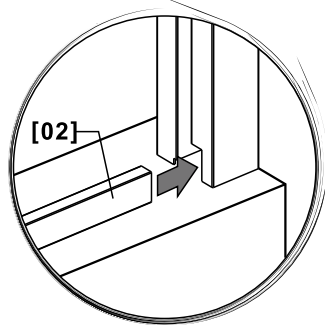
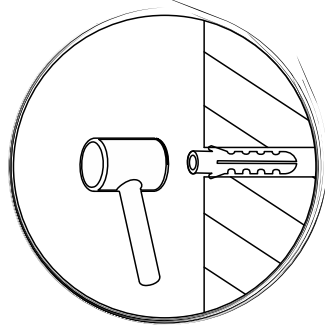
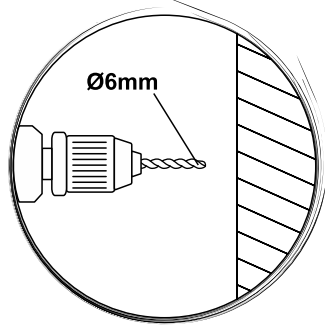
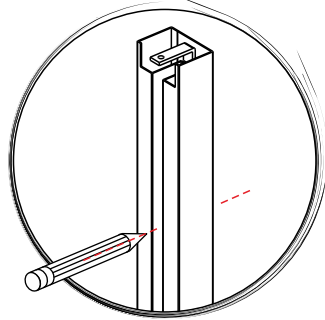
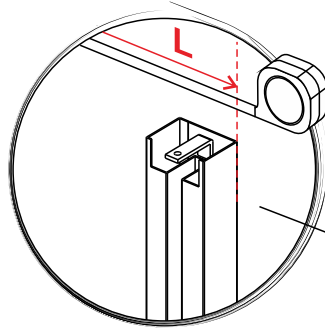
01



[02] x1

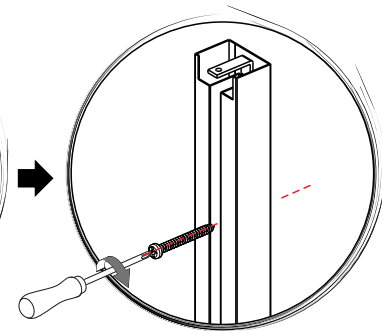
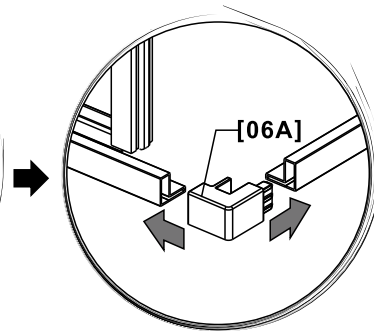


[06A] x1

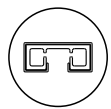
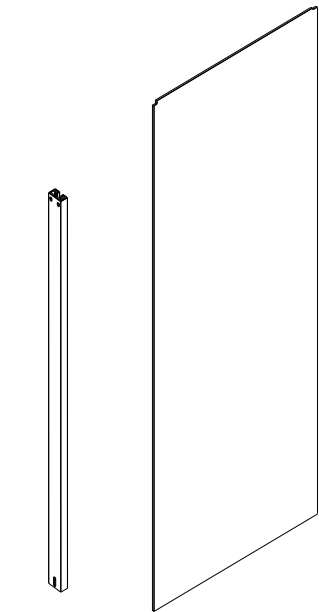


Size	L
1000	990-1005
1100	1090-1105
1200	1190-1205
1400	1390-1405
1500	1490-1505
1600	1590-1605
1700	1690-1705
1800	1790-1805

Size	W
700	690-705
800	790-805
900	890-905

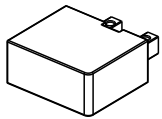


02



[01] x1

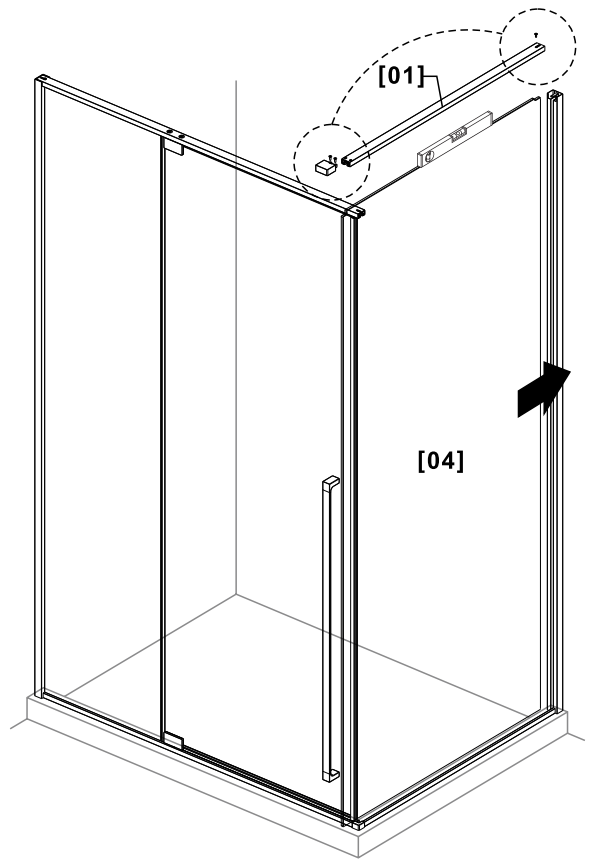
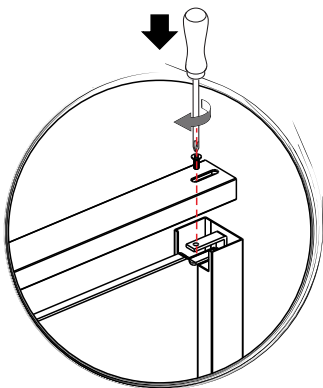
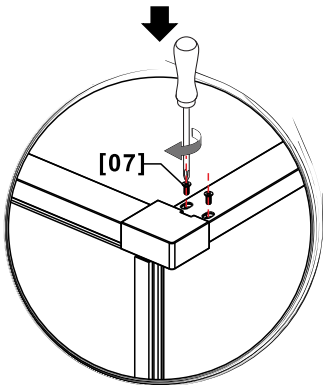
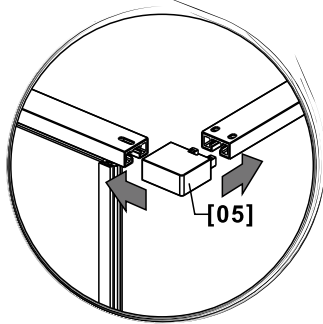
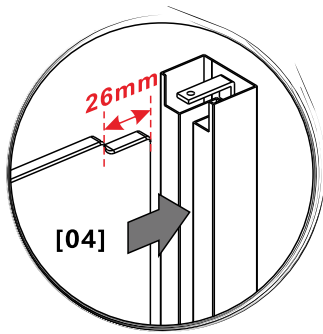
[04] x1



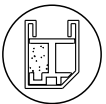
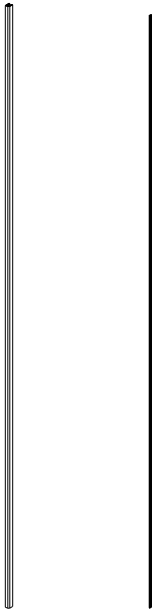
[05] x1



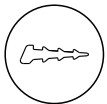
[07] x2 (M4x12)



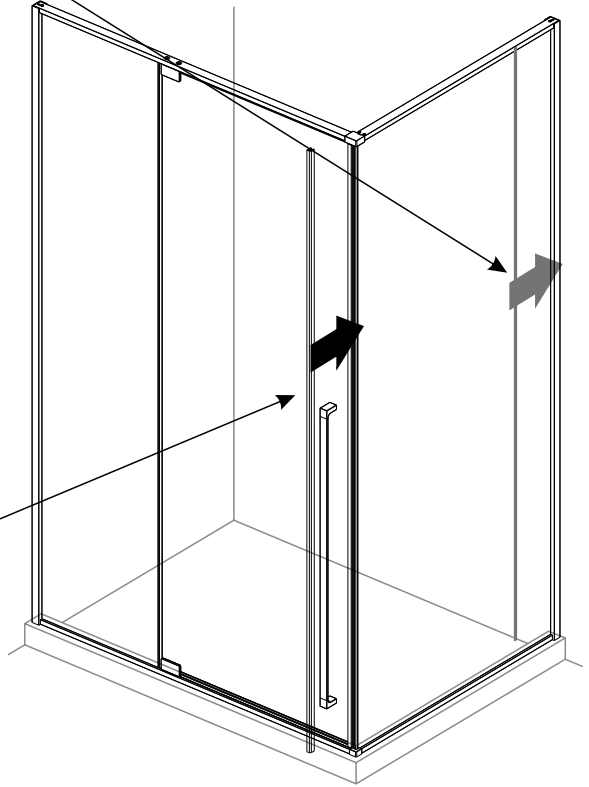
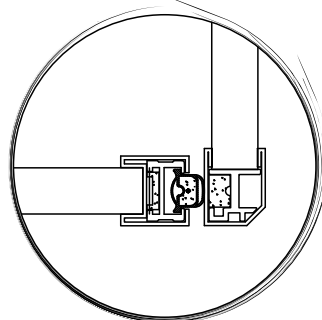
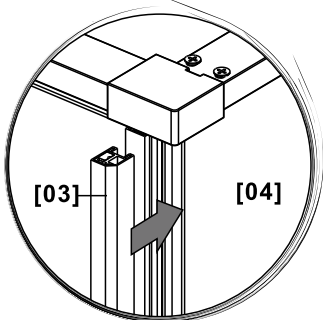
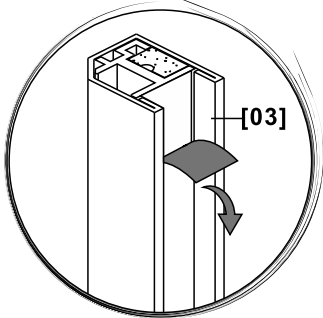
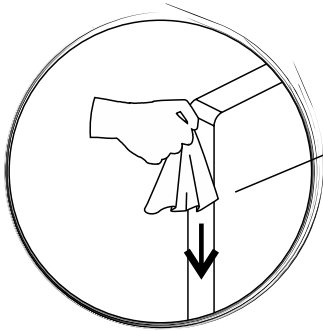
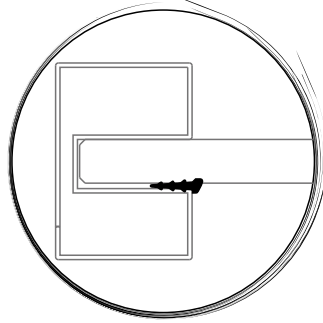
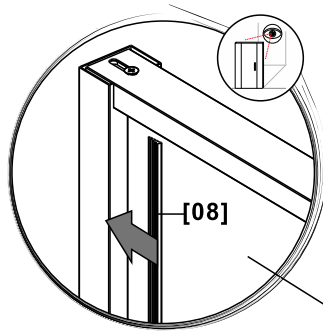
03



[03] x1



[08] x1



04

