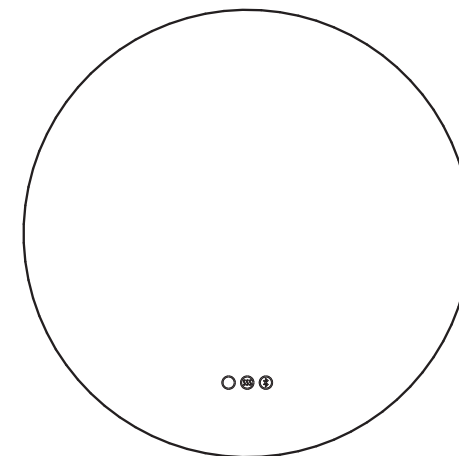
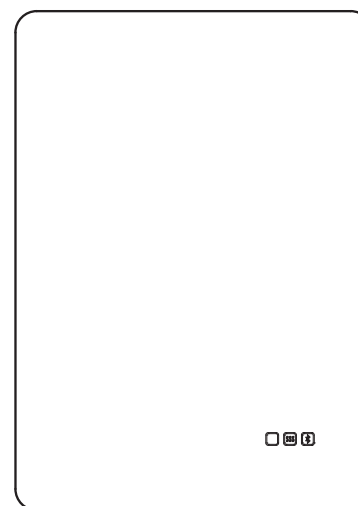


Installation Manual



Apply for all electric mirrors with color change/triple switch (with defogger ,bluetooth function)

Please keep this page for your online registration.

FIFUMCC02V2.0

Content

Important Notes	3
Getting Started	5
Installing Electric Mirrors	6
Operating instruction	8

Important Notes

Electrical Safety and Standards

- . Products are manufactured to class II and do not require an earth connection (see Wiring Diagram).
- . Mains power supply must be switched off prior to starting electrical installation.
- . If there are only two wires coming from your power supply, fitting can be wired to an unearthed circuit.
- . All electrical products should be fitted by a qualified electrician in accordance with national wiring regulations (BS61).
- . Before drilling, ensure there are no hidden cables or pipes in the wall.
- . Products are for in door use only.
- . Moisture must not come into contact with the electrical components.
- . Products rated ip44 can be installed in bathroom zone 2 only (see Bathroom Zones Diagram).

Compliance

Products in this manual comply with the following safety standards: BS EN 60598-1: 2008+ A11: 2009, EN60598-2-1: 1989.

Other Safety Notes

- . Work from a suitable platform when operating at heights.
- . Wear suitable eye protection when drilling.
- . Be careful when using power tools near water.

Wall Types

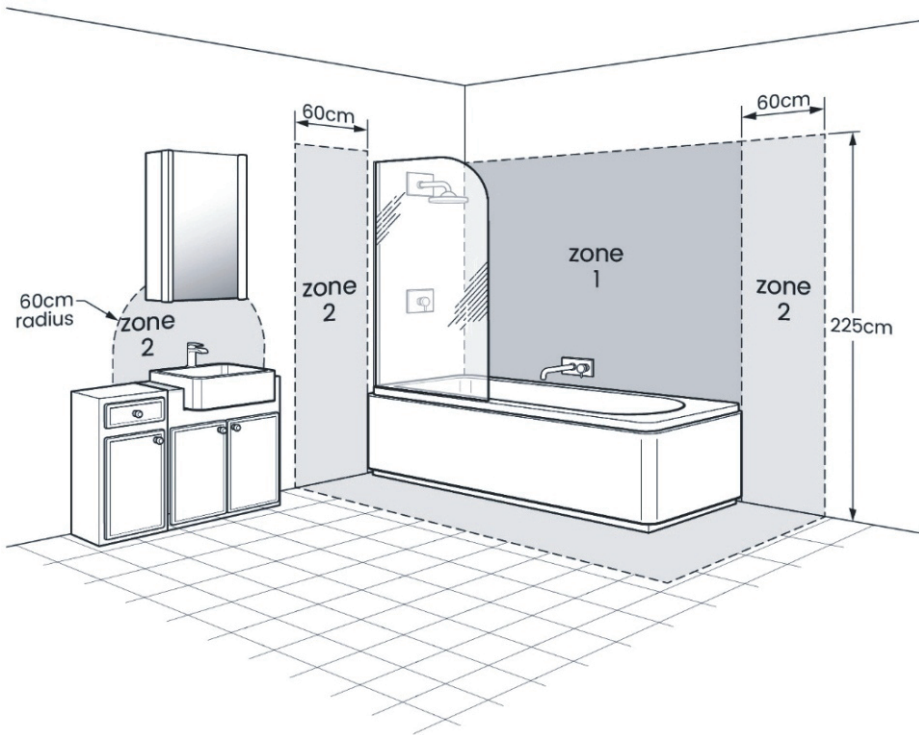
- . Fixings supplied are generally for solid walls.
- . For dry stud walls, purchase suitable fixings.
- . For advice on suitable wall fixings, contact your local DIY store.
- . If fitting on tiles, use a ceramic drill bit and insert wall plugs below the tile.

Please place the product in a well ventilated environment to avoid oxidation caused by long-term humidity.

Wirng Diagram



Bathroom Zones Diagram




Getting Started

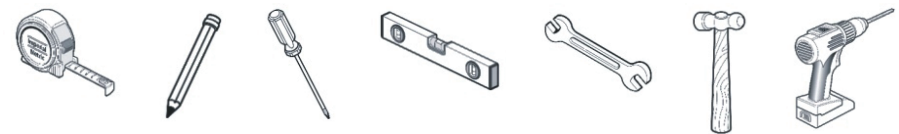
⚠ Read the **Important Notes** on pages 2 and 3 before starting.

Fixtures

Fixtures are provided for certain mirror types. Examples of fixtures are provided below.

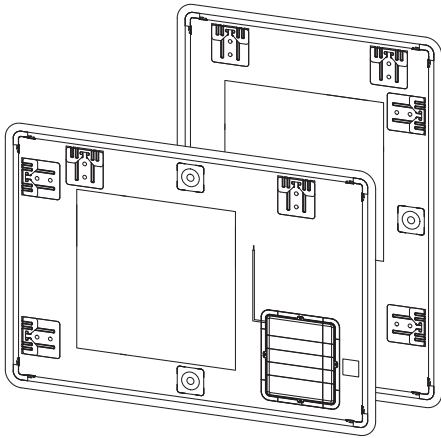
	Recommended max load	Wall types suitable for	
		Brick	Wood
 Screw and raw plug	20kg	√	√

Tools Required

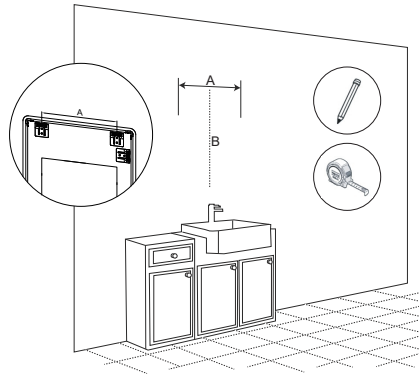


Installing Electric Mirrors

- 1 Choose the orientation of the mirror (Vertical/Horizontal).



- 2 Take measurements and mark wall.



A= Distance between strap hangers
B= Centre line from A

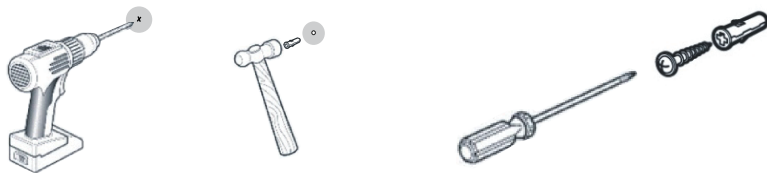
- 4 Make the electrical connections



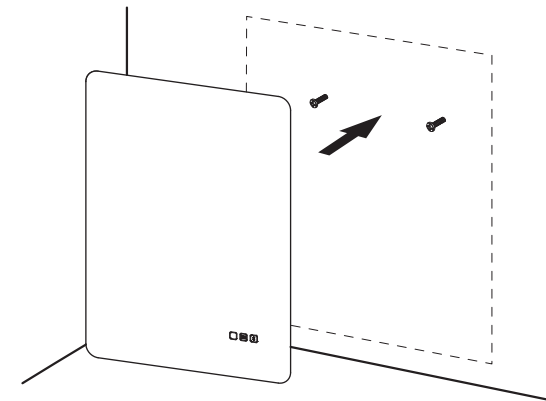
Wiring Diagram



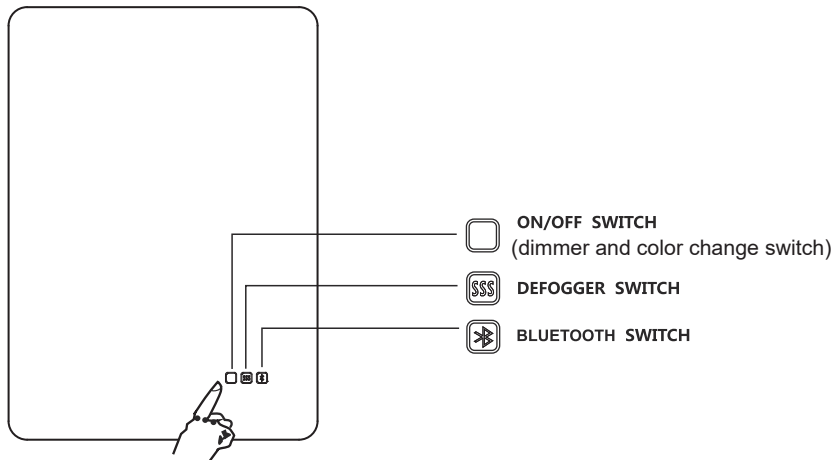
- 3 Drill holes based on the fastening points marked and attach fastenings to the wall.



- 5 Place mirror on the screws fitted and switch on.

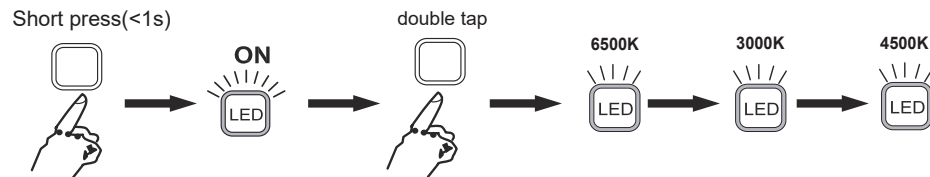


Operating Instruction

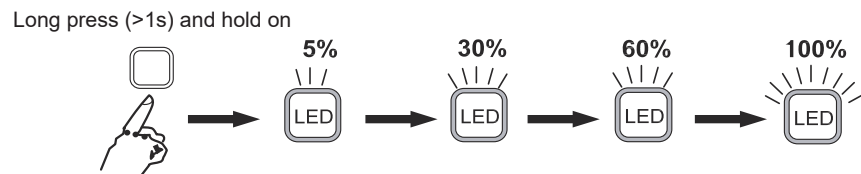


ON/OFF SWITCH

- Short press ON/OFF switch (by less than 1 second), the LED lights will be turned on. Then double tap to change colors (3000K/4000K/6500K).

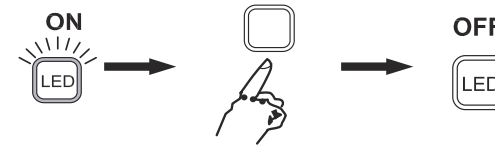


- Long press the ON/OFF SWITCH and hold on, the DIMMER function will be activated. The brightness can be adjusted from 5%-100%.



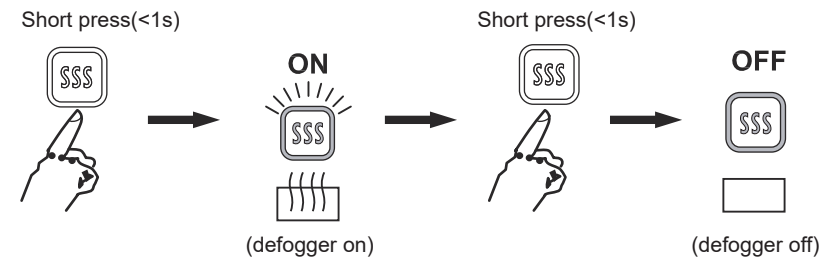
Important Notes: the switch is with Memory function, it will keep last setting of your luminance and on/off status.

- In Standby Mode - Hold the touch sensor to turn off the On/Off illuminated circle.



DEFOGGER SWITCH

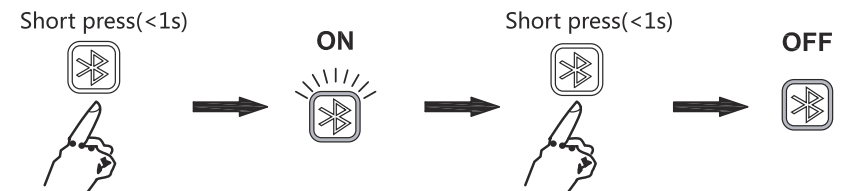
- Short press ON/OFF switch (by less than 1 second), the Anti-fog pad will be turned on.



Important Notes: Anti-fog function automatically turns off after 1 hour.

BLUETOOTH

- Short press ON/OFF switch (by less than 1 second), the BLUETOOTH will be turned on. Turn on Bluetooth on your phone or pad and search for "Mirror Multimedia" to connect. Once connected, you can play music from your device.



Important Notes: Bluetooth supports one device only. Please disconnect or forget the current device before connecting another.