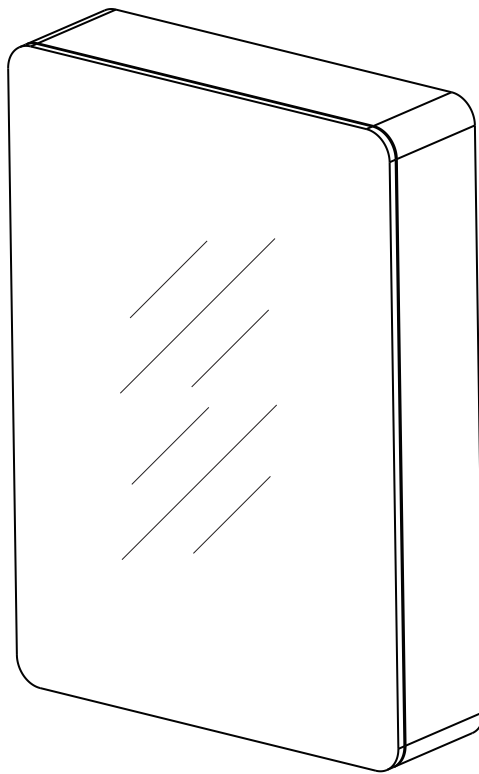
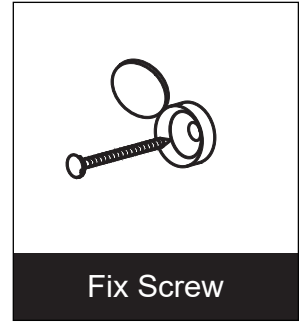
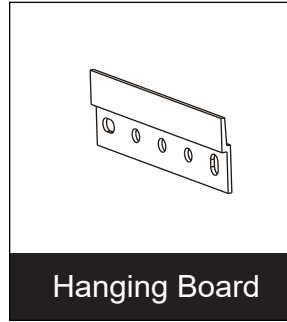
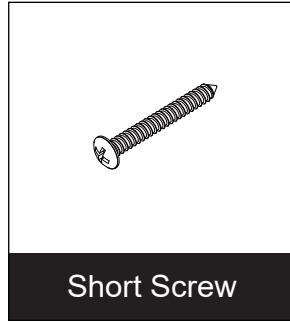
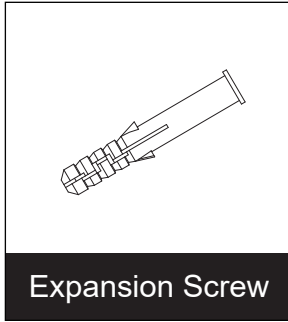


Mirror Cabinet

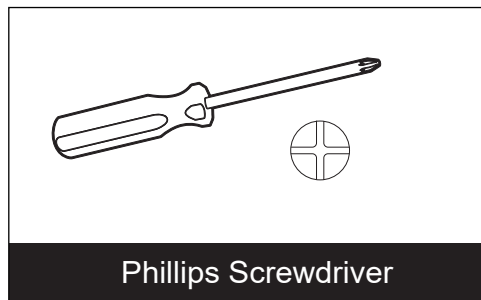
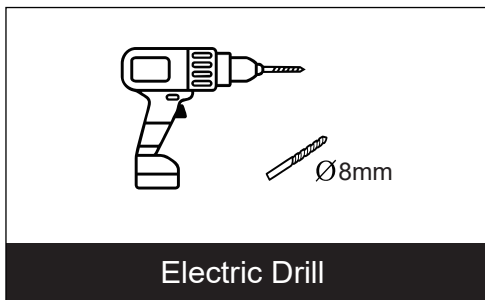
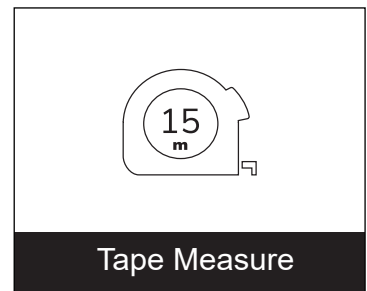
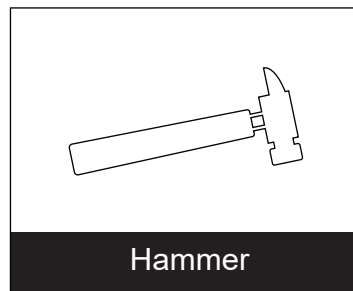
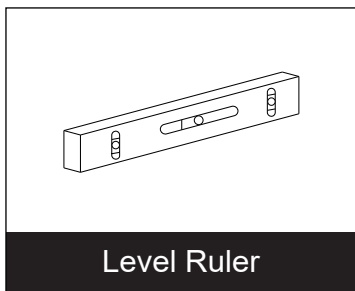
INSTALLATION MANUAL



ACCESSORIES LIST



TOOLS REQUIRED



BEFORE INSTALLATION

To ensure the best experience, please read carefully and follow the instructions provided below before assembling and installing the product.

1. Important safety Instructions :

- Assemble the product by two or more adults to ensure proper installation.
- Make sure that the fixing location can support the weight of the entire fixture (e.g. solid stone or brick walls).
- To prevent injury, the mirror must be installed according to the instructions provided

2.Pre-assembly:

- Inspect the product immediately upon receipt for any transit damage or missing parts.
- Please do not remove the plastic corner guards and transparent film on the mirror until the installation is finished.

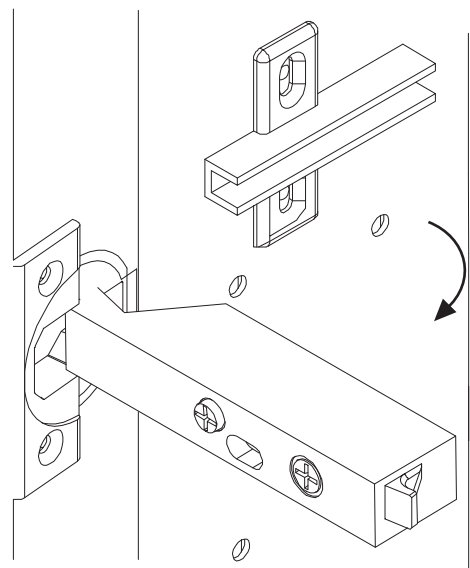
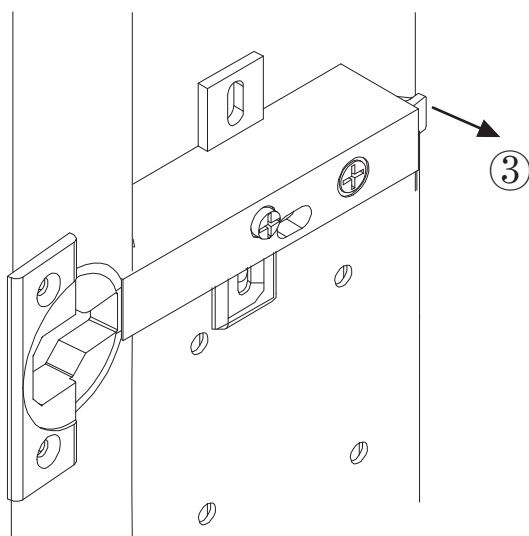
3.Before Installation:

- Please check and make sure that the mirror is functioning properly.

INSTRUCTIONS

Preparing the cabinet - Removing the doors

1. Carefully place the cabinet upright on the floor on the protective polystyrene sheet.
2. Open the door to gain access to the door hinges. Be careful not to damage the mirror door.
3. Pull the latch at back of the bottom hinge to unclip it from the cabinet and rest the door somewhere safe.
4. Repeat the process on the other door.

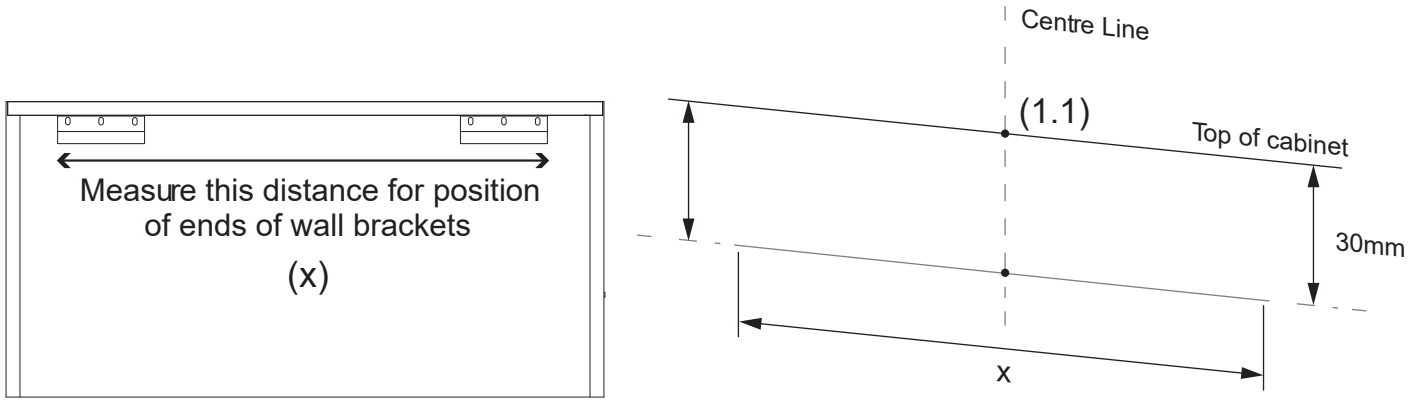


wall mounted

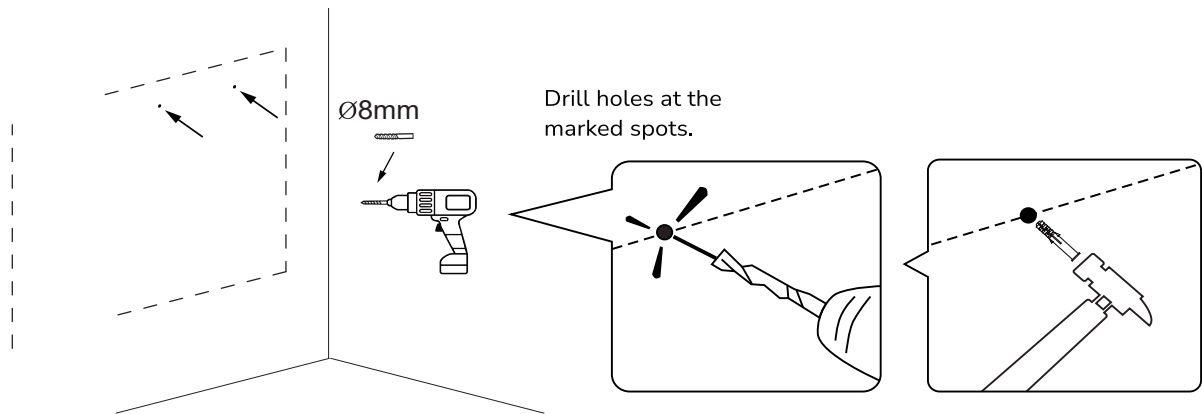
1.1 – Using a pencil, mark on the wall where you wish the centre of the top surface of the cabinet to be .

1.2 – Measure 30mm vertically below this point and make a mark.

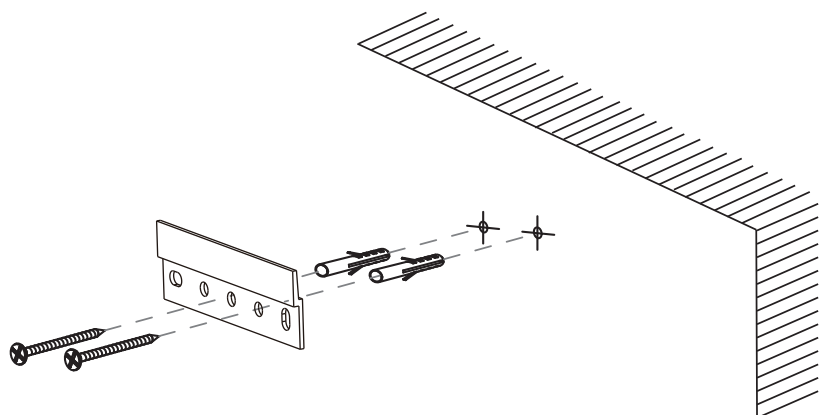
1.3 – Using a spirit level, draw a line of distance X centred on this point and parallel with the floor.



1.4 - Use an electric drill to punch holes at the marked spots, and Then install the expansion screw with a hammer.



1.5 - Screw the two brackets to the wall.

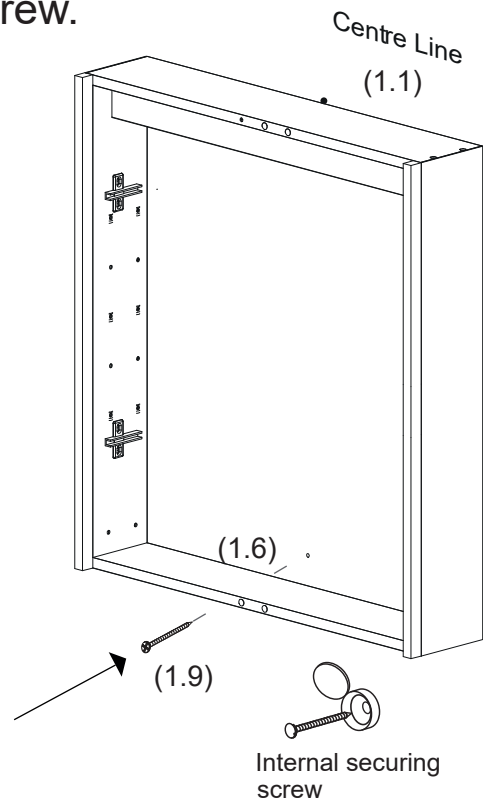


1.6 - When the cabinet is level, mark the hole on the lower section of the cabinet backboard. Take the cabinet off the wall.

1.7 - Drill and fit the wall plug into the hole just marked.

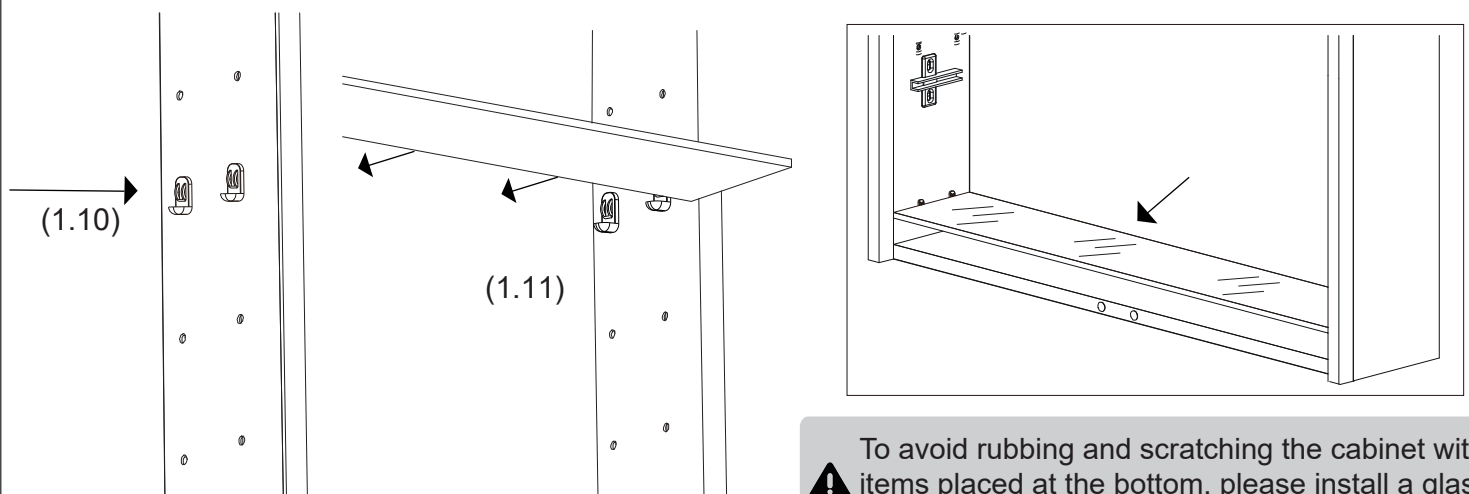
1.8 - Bring the cabinet close to the wall. Hanging on a wall bracket.

1.9 - Screw in the internal securing screw.



1.10- Insert the glass storage plate clip into the holes on both sides of the aluminum plate.

1.11- Slide the glass storage panel into the storage panel clamp.

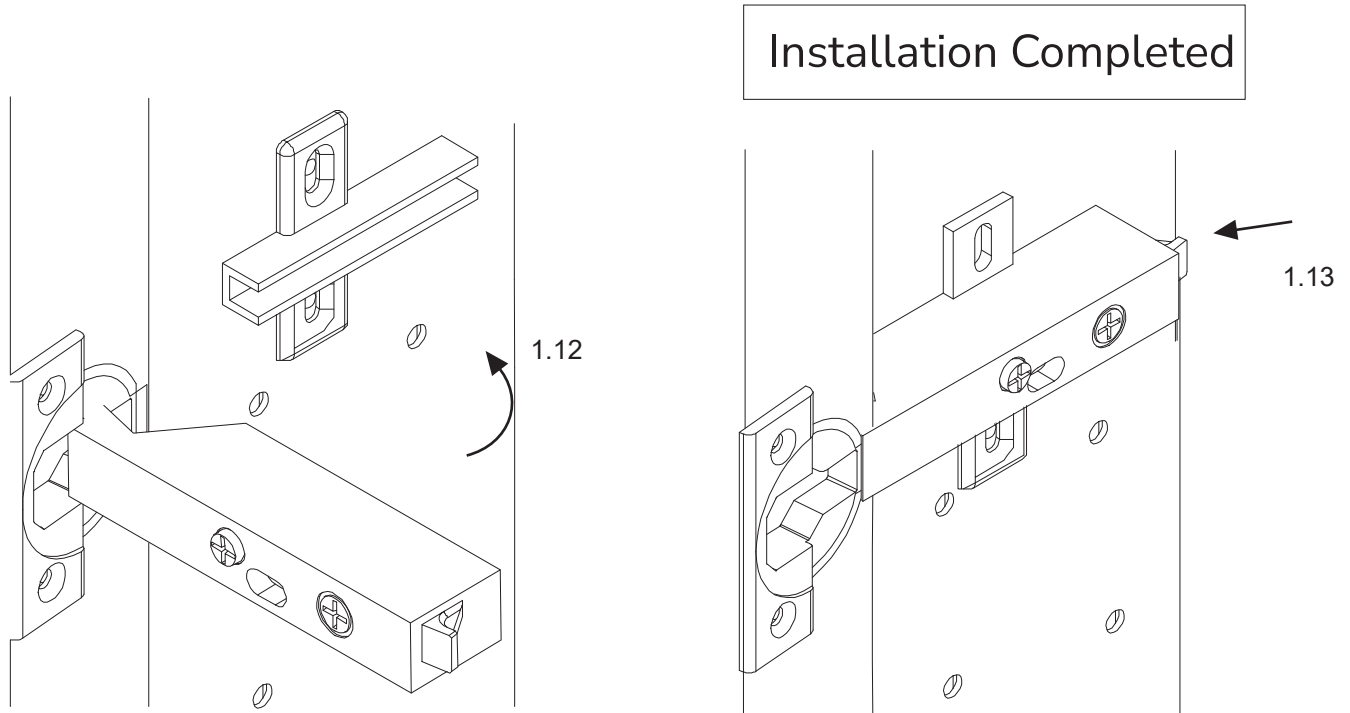


! To avoid rubbing and scratching the cabinet with items placed at the bottom, please install a glass storage panel at the bottom

1.12 – Align the door hinges with the cabinet hinge brackets.

1.13 – Clip the bottom door hinge back on to the cabinet hinge bracket by sliding the door hinge onto the hinge bracket and pulling on the latch on the rear of the door hinge.

1.14 – Repeat steps 1.12 to 1.13 for the other door.



Adjustment method of cabinet door

- Adjust the cabinet doors using the adjustment screws on the hinges. As shown below.

