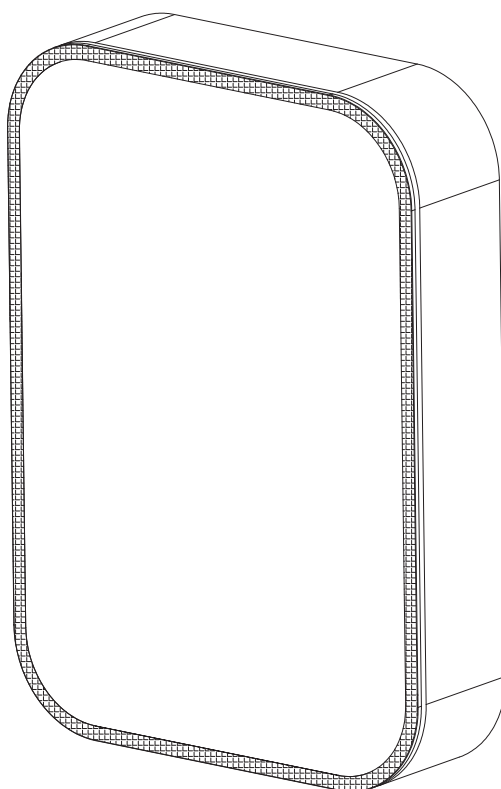


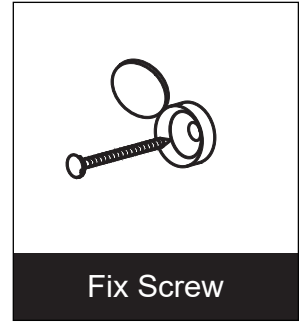
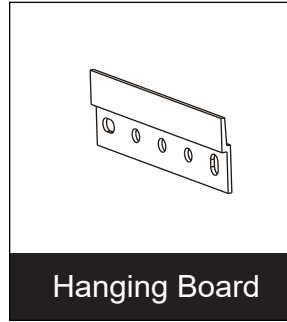
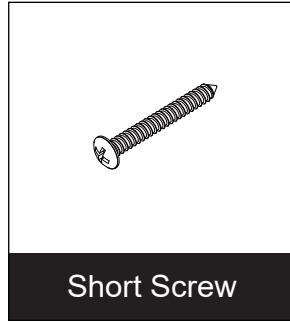
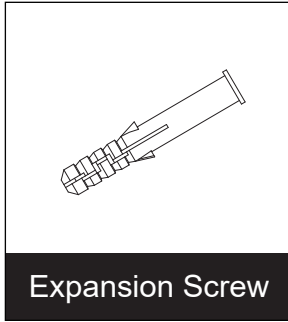
LED Mirror Cabinet

INSTALLATION MANUAL

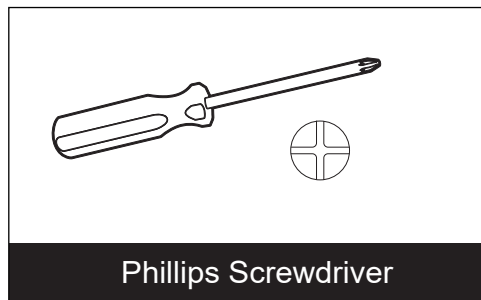
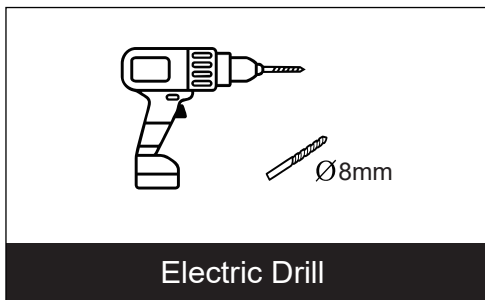
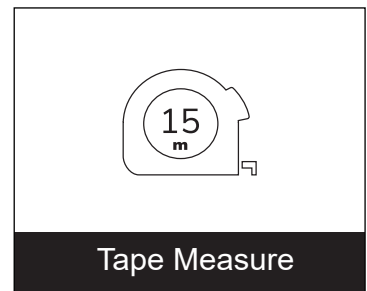
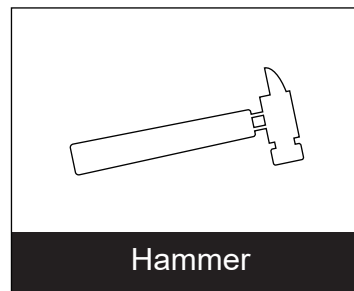
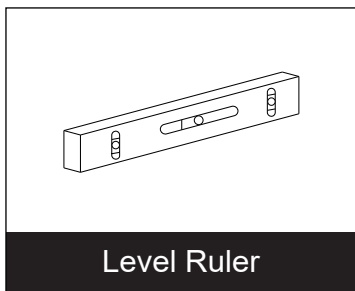


FIFUMCR20V1.0

ACCESSORIES LIST



TOOLS REQUIRED



BEFORE INSTALLATION

To ensure the best experience, please read carefully and follow the instructions provided below before assembling and installing the product.

1. Important safety Instructions :

- Assemble the product by two or more adults to ensure proper installation.
- To connect the wires to electrical junction box, consultation with a qualified technician or electrician is highly recommended.
- Disconnect power before installing, adding, or changing any components.
- Make sure that the fixing location can support the weight of the entire fixture (e.g. solid stone or brick walls).

- To prevent injury, the mirror cabinet must be installed according to the instructions provided

2.Pre-assembly:

- Inspect the product immediately upon receipt for any transit damage or missing parts.
- The voltage for your product should be between 220V and 240V.
- Please do not remove the plastic corner guards and transparent film on the mirror cabinet until the installation is finished.

3.Before Installation:

- Please check and make sure that the mirror cabinet is functioning properly.

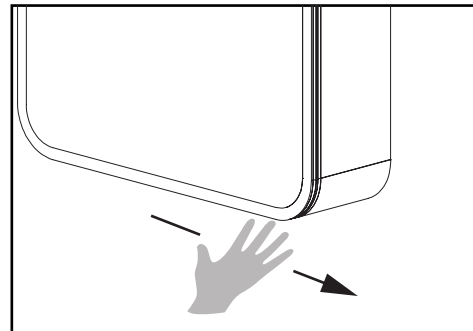
• IR Switch for Light& Demister

Operating Instructions

The System cabinet comes with LED lighting, which is controlled via an IR sensor located on the underside of the product. The lighting can be controlled as detailed below:

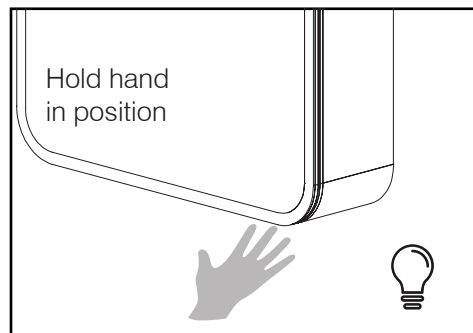
Turn Mirror ON/OFF

To turn the product on/off, slowly wave your hand in front of the IR sensor (about 5~10cm).



Change LED colour

1. When the product is OFF
2. Hold your hand in front of the IR sensor (about 5~10cm) to adjust the colour temperature.
3. Remove hand from IR sensor once desired colour temperature is achieved.



Warm Natural Cool
White → White → White
3000K 4000K 6500K

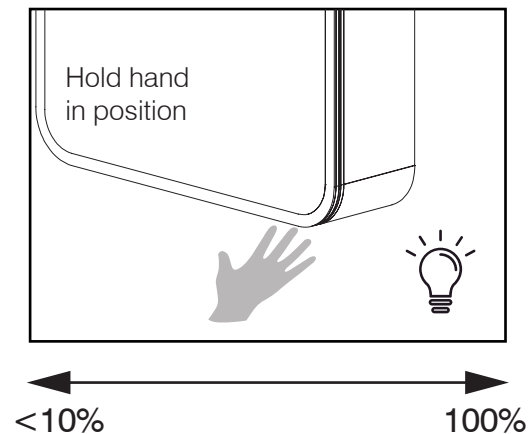
Note: When the cabinet is switched on/off the colour temperature will be memorised.

INSTRUCTIONS

Change LED intensity

1. When the product is turned on
2. Place your hand in front of the IR sensor (about 5~10cm) to adjust the brightness.
3. Once the desired brightness is reached, remove your hand from the IR sensor.

Note: When the cabinet is switched on/off the brightness will be memorised.

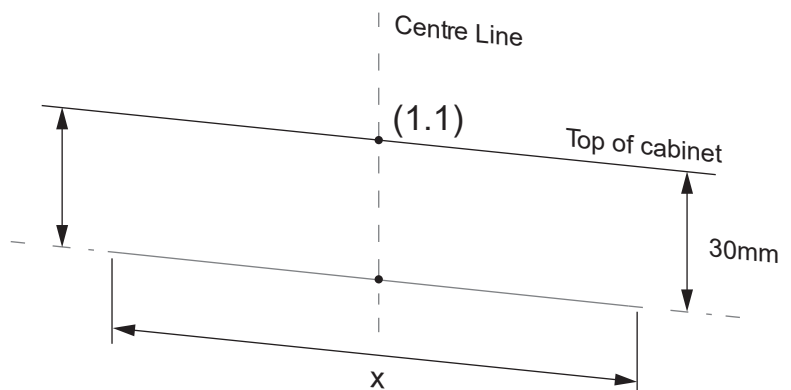
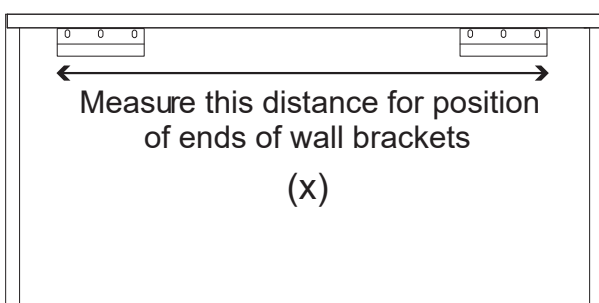


• Anti-fog

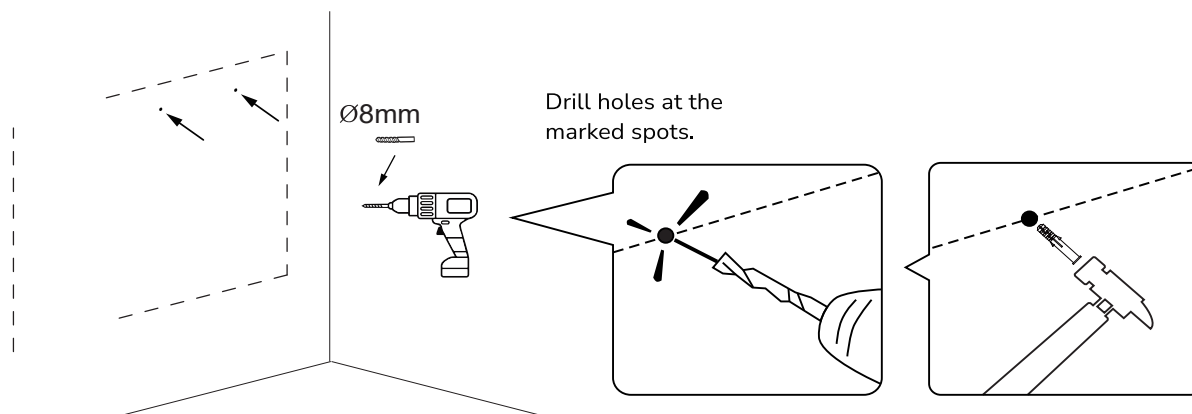
- The anti-fog function helps resist the troubling fog and keep a clear reflection image. To save energy, it will automatically turn off after one hour.

wall mounted

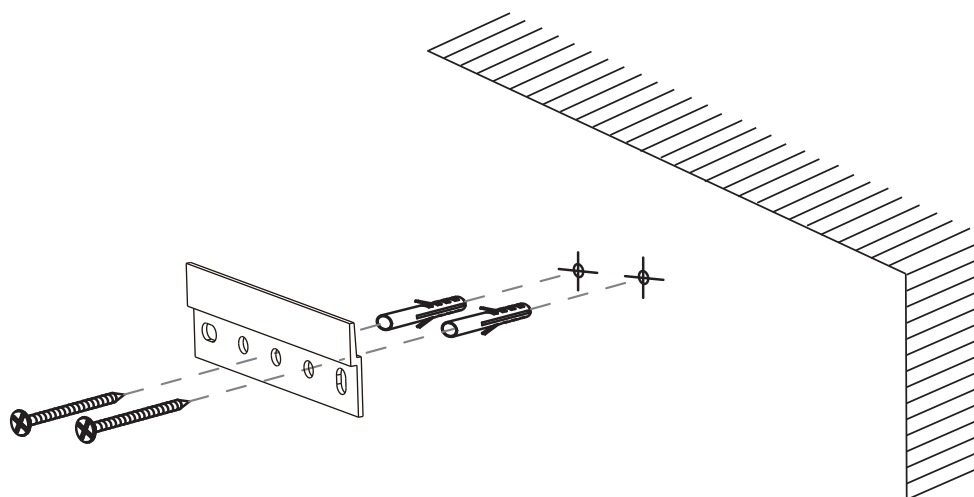
- 1.1 – Using a pencil, mark on the wall where you wish the centre of the top surface of the cabinet to be .
- 1.2 – Measure 30mm vertically below this point and make a mark.
- 1.3 – Using a spirit level, draw a line of distance X centred on this point and parallel with the floor.



1.4 - Use an electric drill to punch holes at the marked spots, and Then install the expansion screw with a hammer.

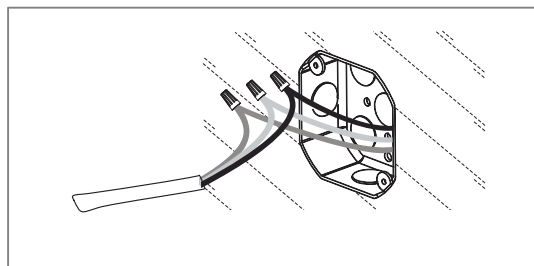


1.5 - Screw the two brackets to the wall.



1.6 - Connect the power cord to the standard circuit board by hard connection

Brown wire---power supply L (LIVE)
Blue wire---power supply N (NEUTRAL)
Green wire---power supply E (EARTH)



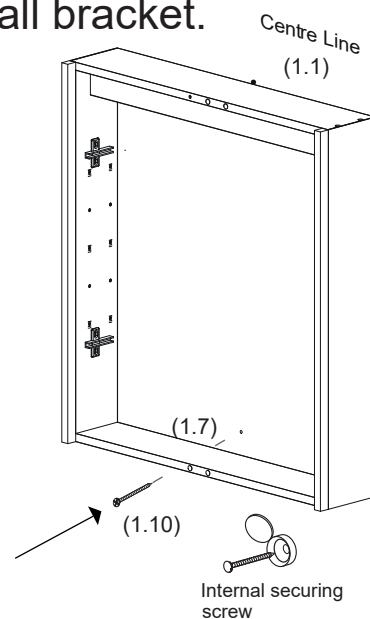
! REMINDER: Please make sure the power is cut off before installation.

1.7 - When the cabinet is level, mark the hole on the lower section of the cabinet backboard. Take the cabinet off the wall.

1.8 - Drill and fit the wall plug into the hole just marked.

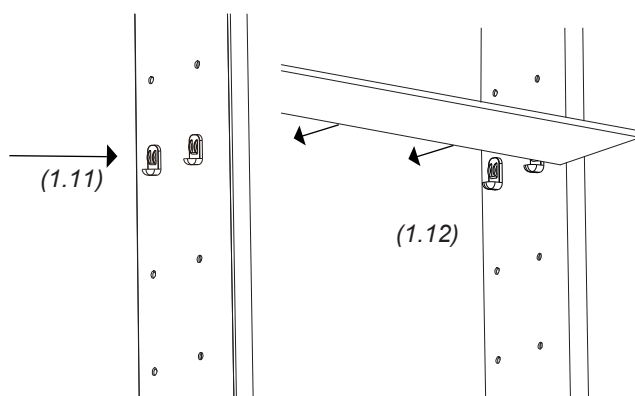
1.9 - Bring the cabinet close to the wall. Hanging on a wall bracket.

1.10 - Screw in the internal securing screw.



1.11- Insert the glass storage plate clip into the holes on both sides of the aluminum plate.

1.12- Slide the glass storage panel into the storage panel clamp.



Adjustment method of cabinet door

- Adjust the cabinet doors using the adjustment screws on the hinges. As shown below.

