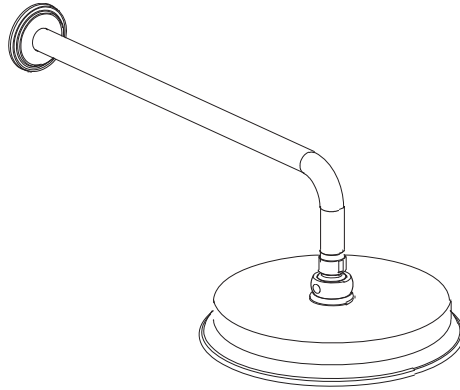


Installation Manual



Apply for following models

21116,21117,21118

Please keep this page for your online registration.

No. FISHTBK10V1.0



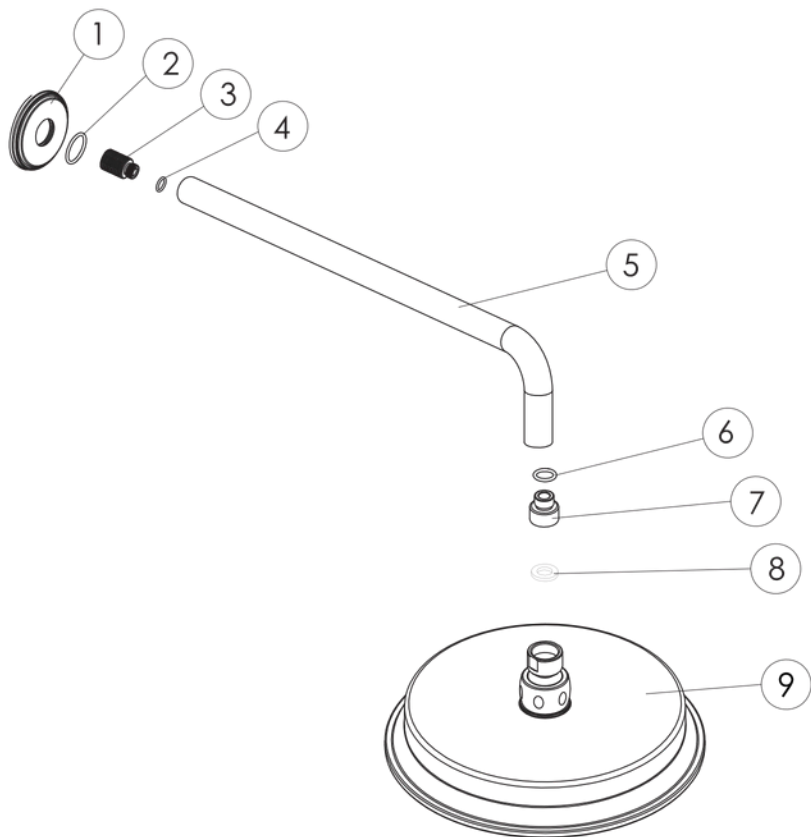
TECHNICAL DATA

	Scope of Use	Recommended Range	Proper Use
Dynamic Pressure(bar)	Min 1bar	$1\text{bar} \leq P \leq 5\text{bar}$	
Static Pressure(bar)	Max 10bar	--	
Hot Water Temperature(°C)	$T \leq 90^{\circ}\text{C}$	$55^{\circ}\text{C} \leq T \leq 65^{\circ}\text{C}$	
Cold Water Temperature(°C)	$T \leq 25^{\circ}\text{C}$	$T \leq 25^{\circ}\text{C}$	

TOOLS YOU MIGHT NEED



PTFE Tape



NO.	DESCRIPTION
1	Cover
2	O ring
3	Joint
4	O ring
5	Shower arm
6	Joint
7	Washer
8	Shower head
9	

INTRODUCTION

WARNING

Before installing the new mixer it is essential that you thoroughly flush through the supply pipes in order to remove any remaining swarf, solder or other impurities.

Failure to carry out this simple procedure could cause problems or damage to the workings of the mixer.

These hints have been prepared for your guidance, you must exercise due care at all times. We do not accept responsibility for any problems that may occur through incorrect installation.

This product should only be fitted by a qualified plumber to NVQ (National Vocational Qualification) or SNVQ (Scottish National Vocational Qualification) Level 3. Should the installation be completed by a non-qualified person then the guarantee may be considered invalid.

For a claim made under our warranty written confirmation of your installers credentials can be required. For further information or to find a qualified installer in your area please visit the Institute of Plumbers website - www.ciphe.org.uk

CLEANING

CARE OF YOUR SHOWER VALVE

We recommend cleaning the valve with a soft damp cloth.

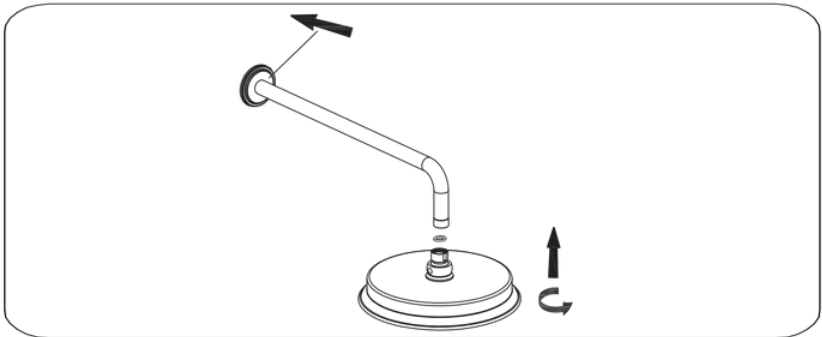
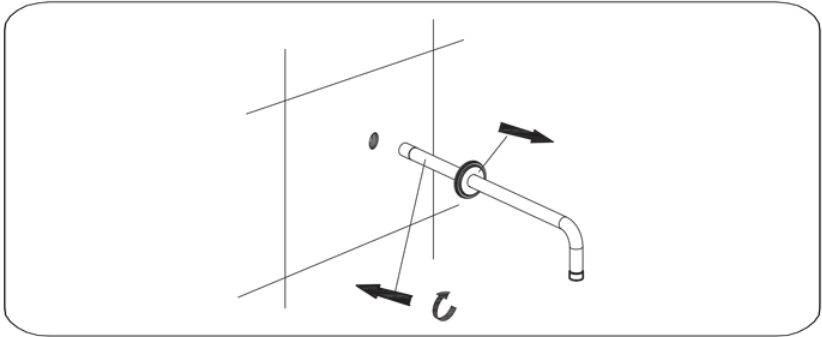
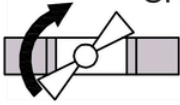
We strongly advise against the use of ALL cleaning products.

INSTALLATION PROCEDURE

1



SHUT INLET VALVE



OPEN INLET VALVE

