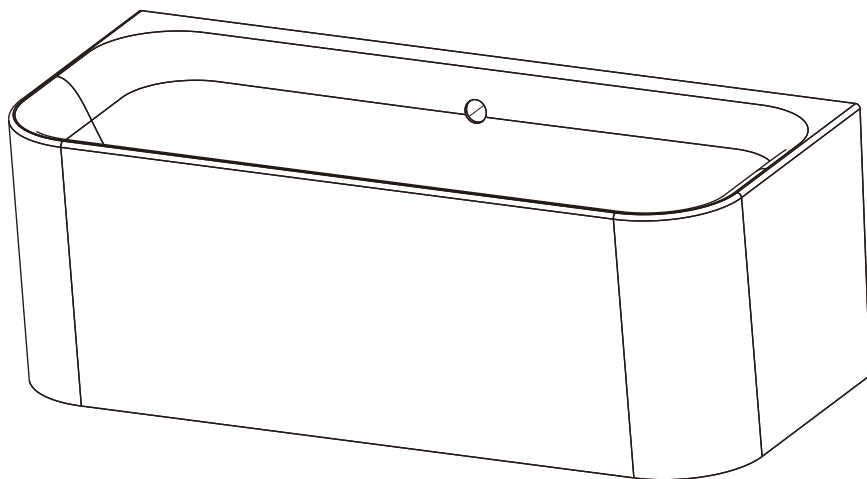


Installation Manual



Apply for below freestanding bath
51041 & 51042 & 51043

Please keep this page for your online registration.

No. FIBABRB01V2.0





CAUTION

- Risk of personal injury. Bath tubs can be extremely heavy. Obtain sufficient help to carefully lift or move the bath tub.
- Risk of property damage. Make sure that a watertight seal exists on all bath drain connections.

TOOLS

YOU MIGHT NEED



BEFORE INSTALLATION

- Before installation check that all fittings have been supplied.
- Assembled bath on a mat to protect against damage to bath surface.
- This product requires a two person lift-use proper lifting techniques.
- This installation guide recommends a bath waste be fitted to the bath prior to installation- if any doubt about Installation and waste connection
- please consult a qualified tradesmen
- Follow each step in turn.

IMPORTANT:All installations must comply with council and local authority by-laws. It is the responsibility of the installer to ensure that the waste is made watertight by means of silicone sealant or caulking compound.

NOTE:Bath can be installed after the wall & floor tiling is completed. Bath drain supplies should be arranged preliminarily according to the selected bath.

WARNING

Ensure the floor where the bath will sit is level



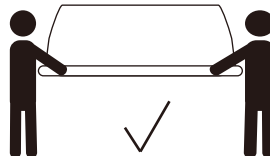
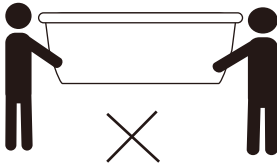
CAUTION

The waste & overflow is supplied with the product, however other items required such as a waster trap and connectors are not supplied and must be purchased separately.

Because of the technical features of the product it should only be used with the waste & overflow supplied

Handgrips for this product are not available.

The bathtub must be carried upside down, do not lift or support the bath by the sides

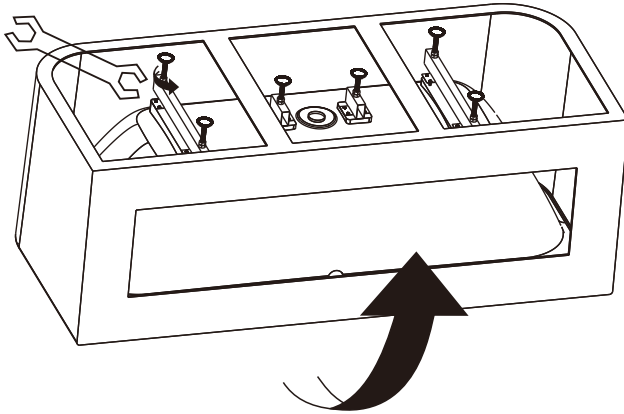


Prior to installing the bath should be checked for damage as we recommend all work is to be carried out by a qualified person.

INSTALLATION PROCEDURE

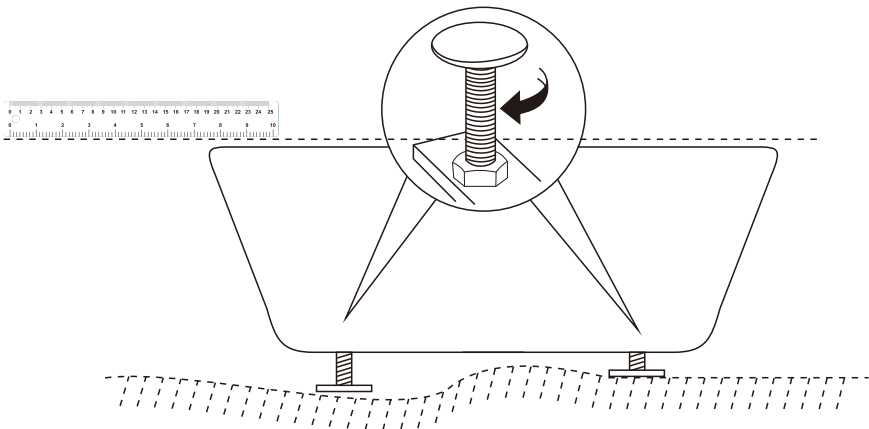
1

Place the bath upside down on a dust sheet or soft cloth so notto soratch the surface. Level the feet on the base of the bath and lock them into place.



2

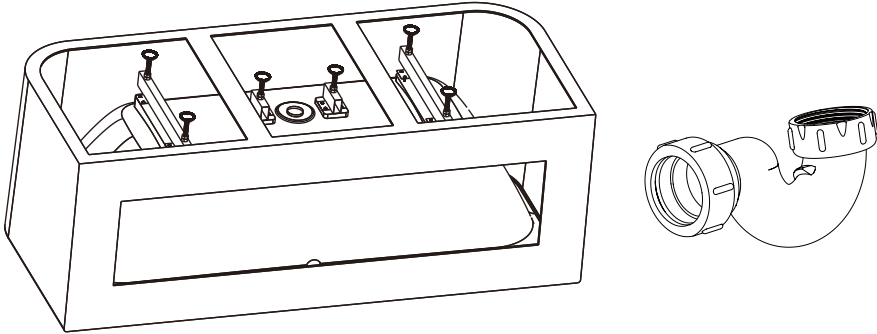
Turn the bath over and temporarily place in what will be final position in the bathroom. Check along the top of the bath using a spirit level and adjust the feet if necessary and lock into place.



INSTALLATION PROCEDURE

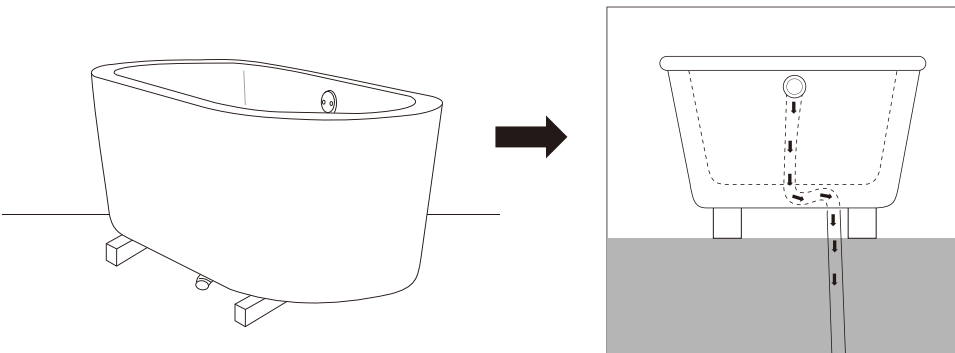
3

Turn the bath upside down and fit either a P trap or S trap (not supplied) to the bath waste dependant on the household waste pipe configuration.



4

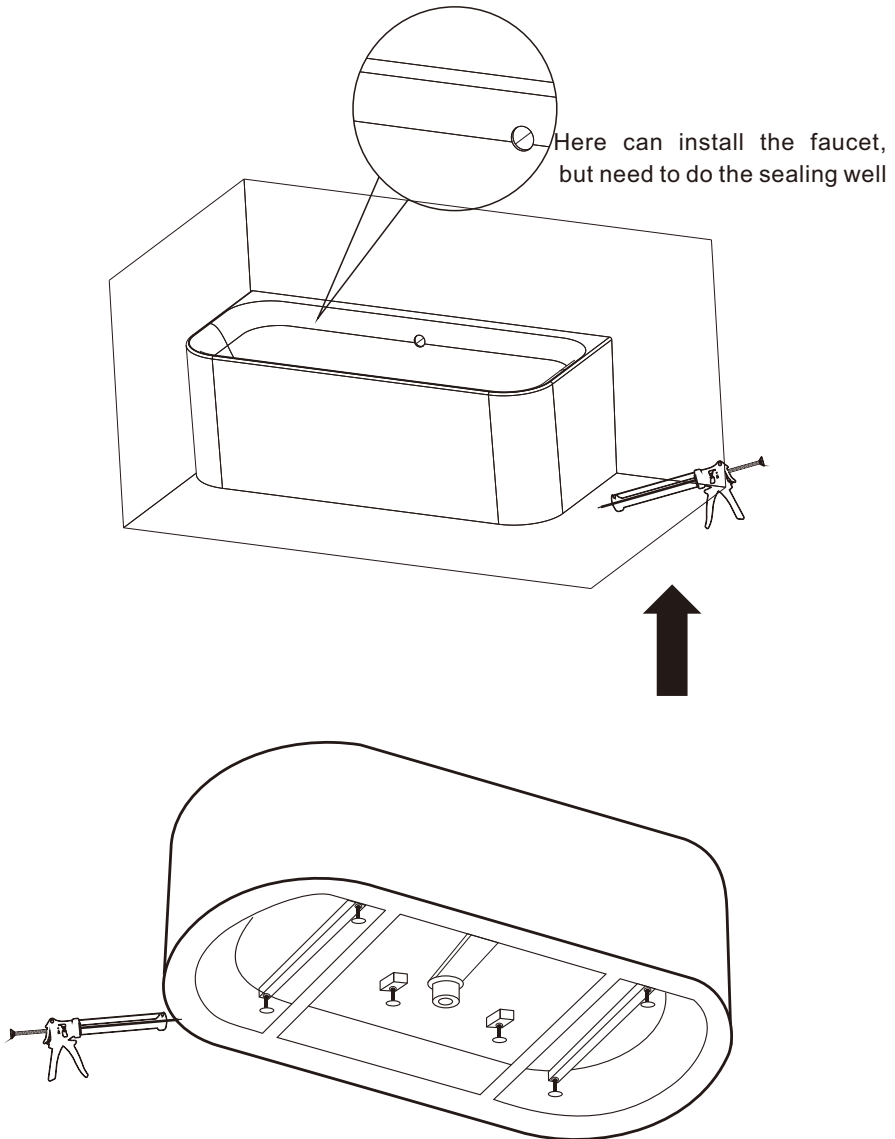
Turn the bath the right way up and rest on two blocks (ideally 4"x4") in position to gain access underneath to attach the household pipework."



INSTALLATION PROCEDURE

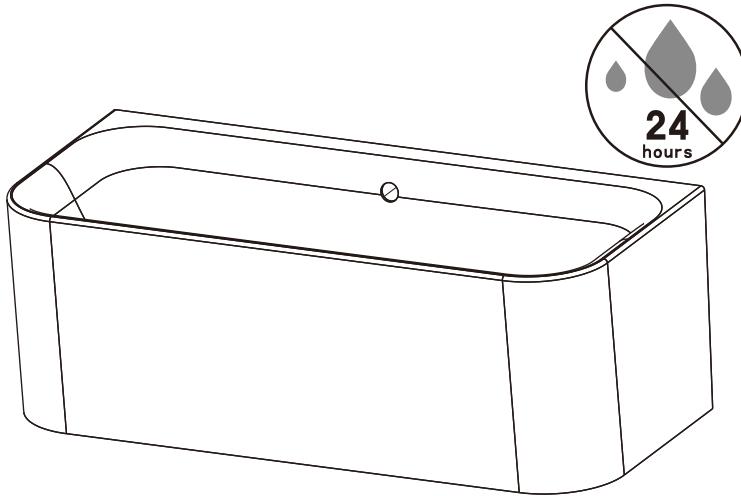
5

Once the waste option has been chosen and attached to the household pipework water should be poured through the waste to check for leaks. Once this has been done apply silicon to the underside of the bath to complete the look.



6

Please allow 24 hours for the silicon to dry off before use. The installation guide includes options for waste connection: The final decision about installation and waste connection should be taken by a qualified person.



AFTER INSTALLATION

Run water into the bath and check connections for leaks

CARE & CLEANING

- Use a soft cloth or sponge for cleaning. Do not use any scouring pads like pot cleaners etc. as this will dull the surface
- Use mild soap and water for everyday use.
- Do not use any abrasive cleaning materials.
- Do not use any disinfectants, aerosol cleaners, ammonia concentrates etc.
- Every few months give your bath a light polish with LIBRA acrylic polish to restore the original sheen.