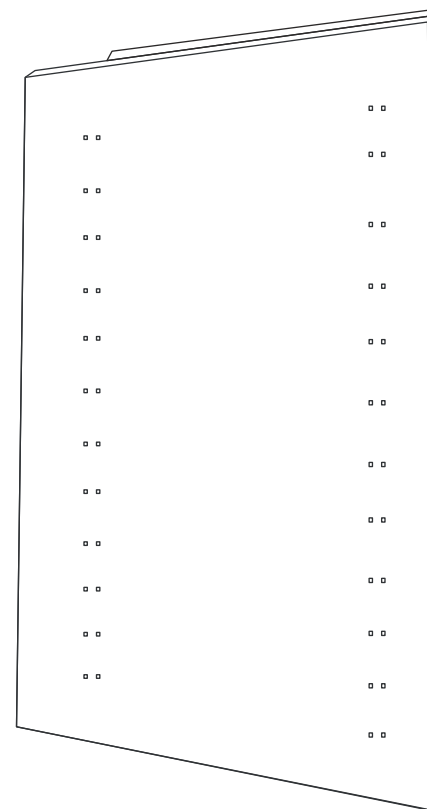


Installation Manual



Apply for all electric mirrors with color change/triple switch

Please keep this page for your online registration.

FIFUMCW04V1.0

Important Notes

Electrical Safety and Standards

- Products are manufactured to class II and do not require an earth connection (see Wiring Diagram).
- Mains power supply must be switched off prior to starting electrical installation.
- If there are only two wires coming from your power supply, fitting can be wired to an unearthed circuit.
- All electrical products should be fitted by a qualified electrician in accordance with national wiring regulations (BS61).
- Before drilling, ensure there are no hidden cables or pipes in the wall.
- Products are for in door use only.
- Moisture must not come into contact with the electrical components.
- Products rated ip44 can be installed in bathroom zone 2 only (see Bathroom Zones Diagram).

Compliance

Products in this manual comply with the following safety standards: BS EN 60598-1: 2008+ A11: 2009, EN60598-2-1: 1989.

Other Safety Notes


- Work from a suitable platform when operating at heights.
- Wear suitable eye protection when drilling.
- Be careful when using power tools near water.

Wall Types

- Fixings supplied are generally for solid walls.
- For dry stud walls, purchase suitable fixings.
- For advice on suitable wall fixings, contact your local DIY store.
- If fitting on tiles, use a ceramic drill bit and insert wall plugs below the tile.





Please place the product in a well ventilated environment to avoid oxidation caused by long-term humidity.

Getting Started

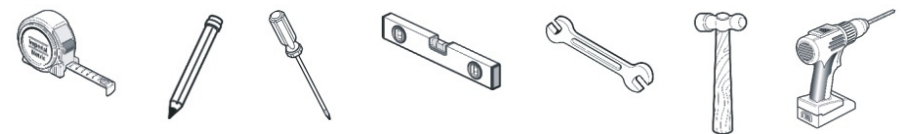
 Read the *Important Notes* on pages 2 and 3 before starting.

Fixtures

Fixtures are provided for certain mirror types. Where fixtures are not included, you will need to purchase suitable ones depending on your wall type. Examples of fixtures are provided below.

	Recommended max load	Wall types suitable for		
		Brick	Plasterboard	Wood
 Double picture hook	5kg	X	√	√
 Screw and raw plug	20kg	√	X	X
 Hanging hook	40kg	√	X	√
 Plasterboard fastenings	15kg	X	√	X

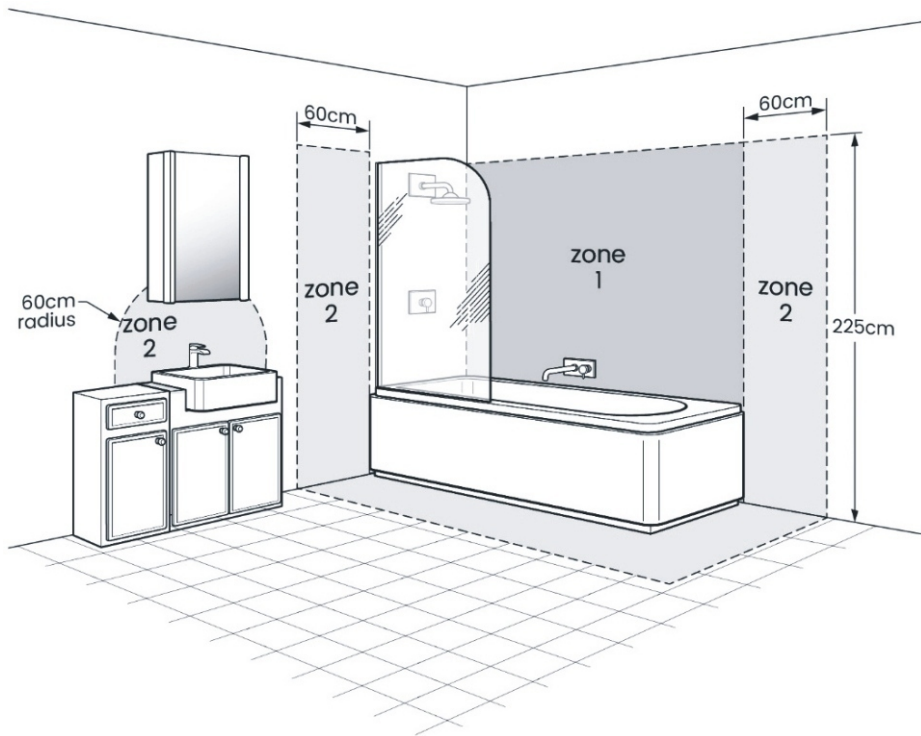
Tools Required



Wiring Diagram



Bathroom Zones Diagram



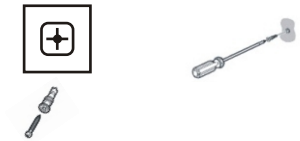
Installing Electric Mirrors

- 1 Follow steps 1-2 for battery operated mirrors (page 6).
Note: Ensure you check the bracket type supplied before taking measurements and drilling holes.

Note: Ensure you check the bracket type supplied before taking measurements and drilling holes.



Hooks for Type 1



Screws for Type 2

- 2 Make the electrical connections.



Wiring Diagram

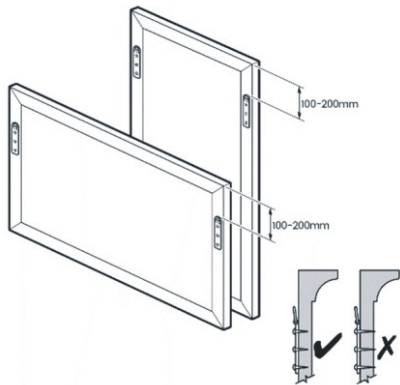


- 3 Place mirror on the brackets fitted and switch on.



Installing Framed Mirrors

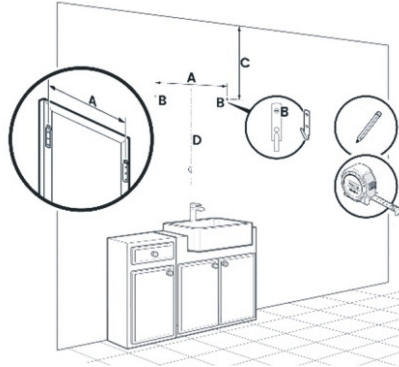
- 1** Choose the orientation of the mirror (landscape/portrait) and attach strap hangers (if not already attached).



Notes:

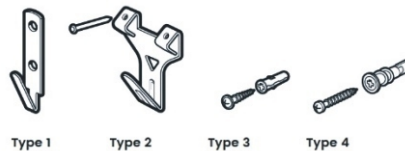
- Ensure you use the above measurements for the flattest finish.
- Ensure you choose screws for hangers that will not go through the frame when tightened.

- 2** Take measurements and mark wall.



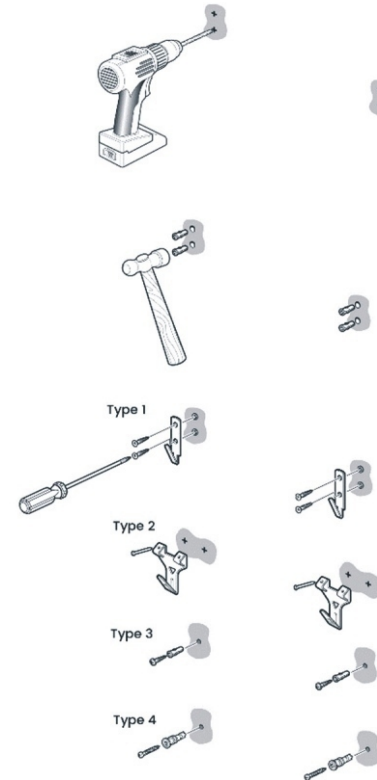
- A = Distance between strap hangers
 B = Fastening points
 C = Distance from top to strap hangers
 D = Centre line from A

- 3** Establish exact fastening points (B) by marking two small lines from D (D_1 & $D_2 = \frac{1}{2}$ length A). Then use the fastening types to mark the exact points.



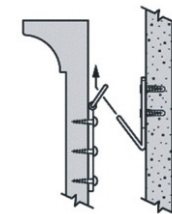
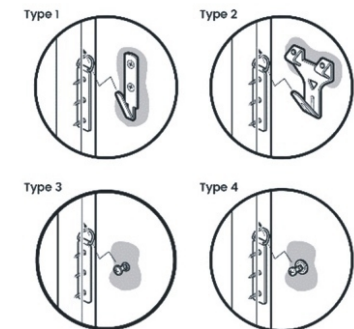
Note: These are just examples of fastening types. Others can be used.

- 4** Drill holes based on the fastening points marked (B) and attach fastenings to the wall.

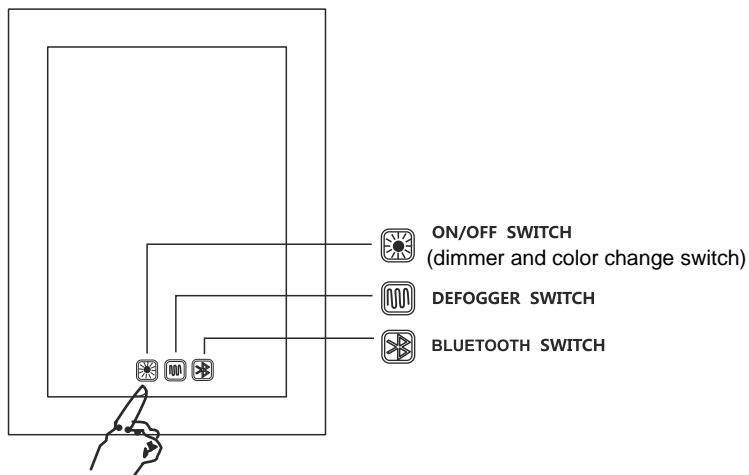


- 5** Place the mirror on the wall (one hook/screw at a time).
 a) Slip hanger ring over the hook/screw and slowly release mirror's weight from that side.
 b) Repeat for the other side.

Ensure the strap hangers are on each hook securely before releasing the weight of the mirror.



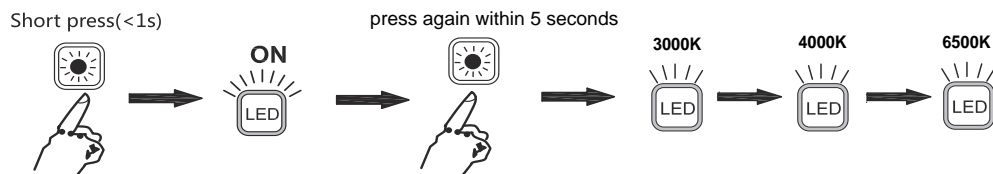
Operating Instruction



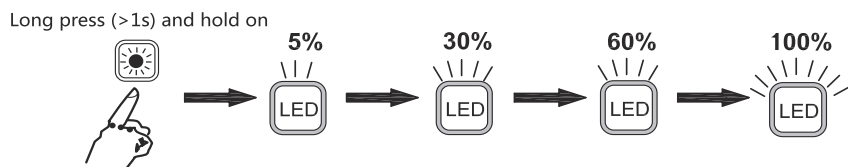
ON/OFF SWITCH

- Short press ON/OFF switch (by less than 1 second), the LED lights will be turned on. Then press again within 5 seconds to change colors (3000K/4000K/6500K).

Our mirror has been designed with a 1.5 seconds delay to maximum or minimum brightness when the light is turned on or off to protect your eyes.

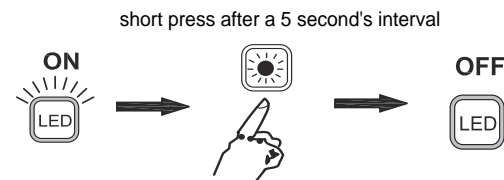


- Long press the ON/OFF SWITCH and hold on, the DIMMER function will be activated. The brightness can be adjusted from 5%-100%.



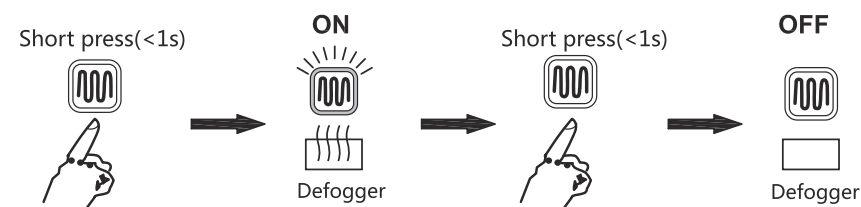
Note: the switch is with Memory function, it will keep last setting of your luminance and on/off status.

- Short press the ON/OFF switch after a 5 second's interval, the light will be turned off



DEFOGGER SWITCH

- When the led light is on, press DEFOGGER SWITCH and the indicating light will be on and Anti fog pad starts working. Press the DEFOGGER SWITCH again and the indicating light will be off and Anti fog pad stops working. Please note the DEFOGGER SWITCH can be turned on or off only when the LED light is switched on. Defogger can't be switched on if led light is off.



BLUETOOTH

- Press BLUETOOTH SWITCH, the indicating light will be on and bluetooth starts working. Press the BLUETOOTH SWITCH again and the bluetooth will be off.

