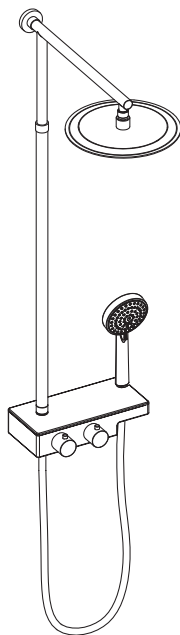
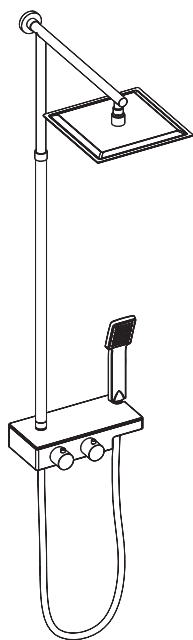


Installation Manual



Apply for following models

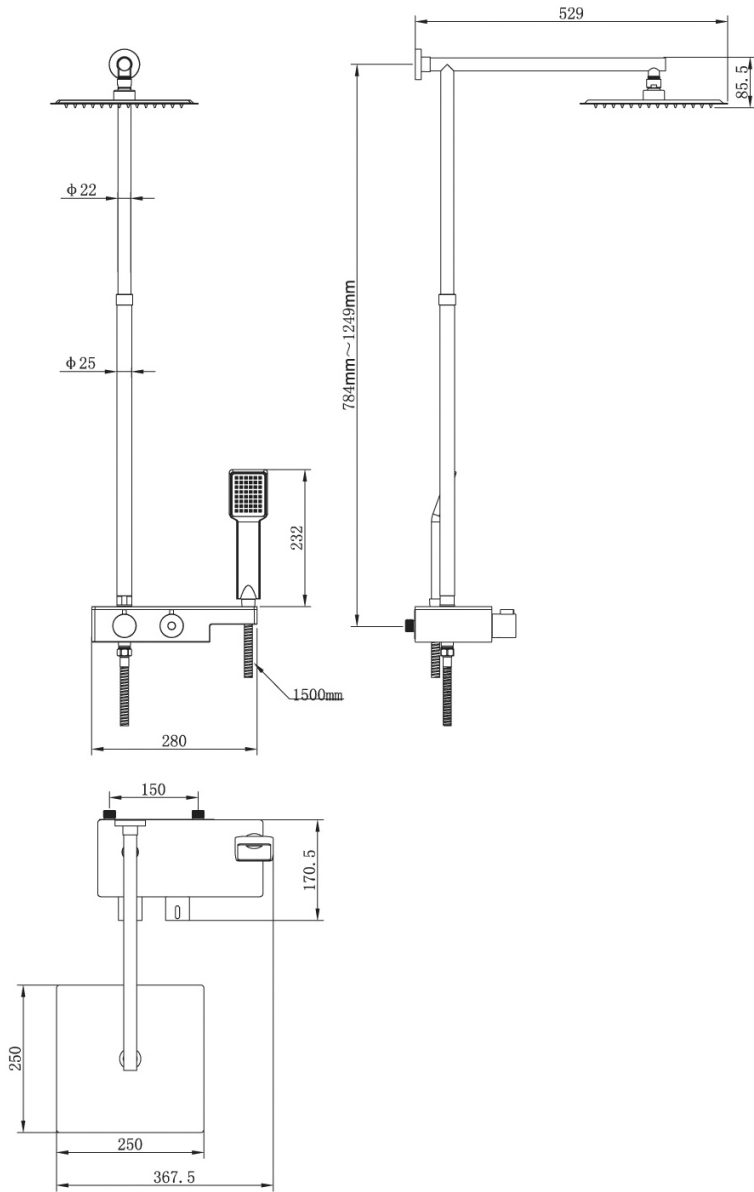
23012/23013

Please keep this page for your online registration.

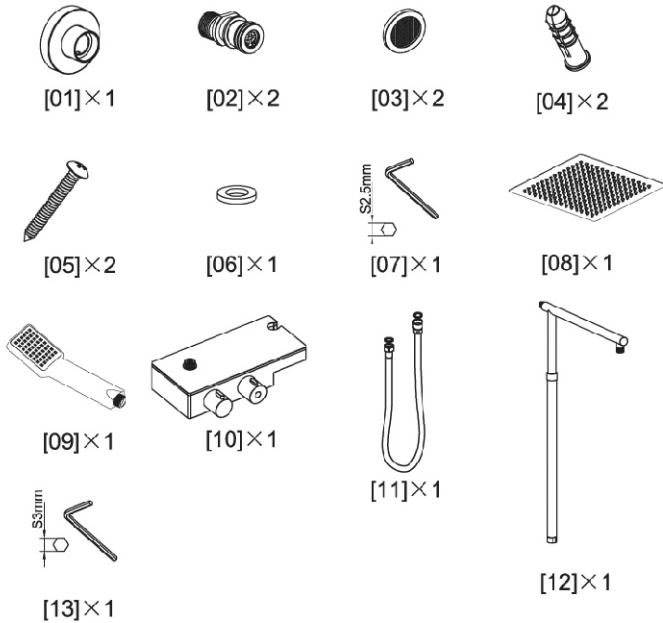
No. FISHTBX05V1.0



Contents	Page
Dimension Picture	03
Spare Parts List	04
Tool List	05
Temperature Condition For Mixer	05
Installation	05-11
Operation	12
Temperature Setting	13
Trouble Shooting	14

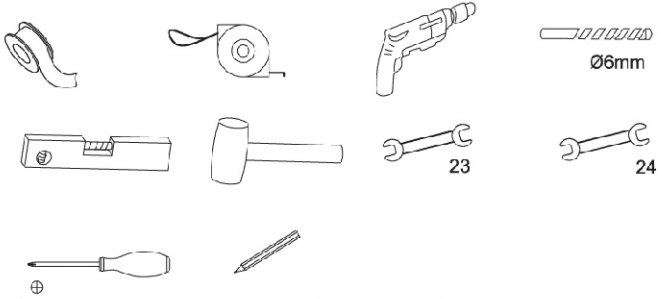


Spare parts list



ARTICLE	DESCRIPTION	QTY
1	Wall Bracket	1
2	Pipe Connectors	2
3	Flat Mesh Washer	2
4	Wall Plug	2
5	Screw	1
6	Flat Washer	1
7	Allen Key (2.5mm)	1
8	Fixed Shower Head	1
9	Hand Held Shower Head	1
10	Mixer Body	1
11	Shower hose	1
12	Riser Rail	1
13	Allen Key (3mm)	1

Tool list

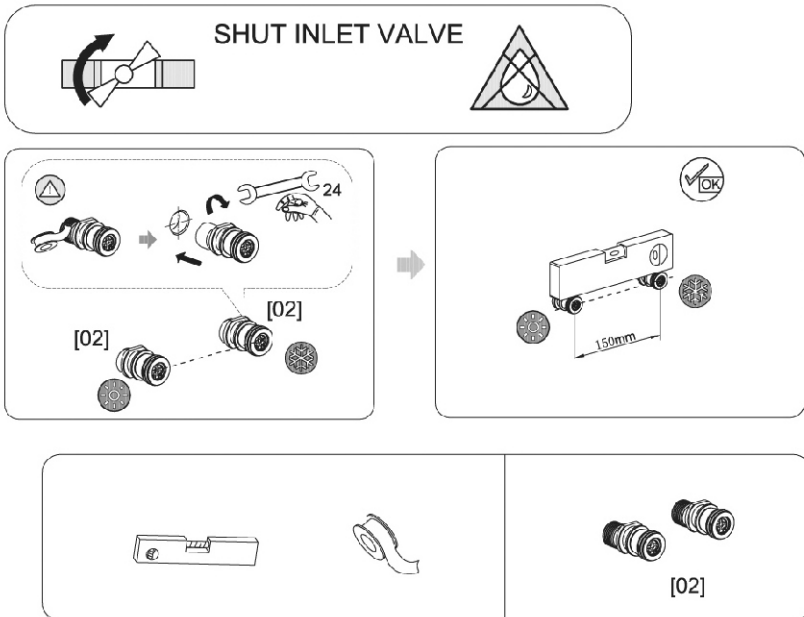


Conditions of use for thermostatic mixer valves

	Low Pressure	High Pressure
Max Static Pressure (Bar)	10	10
Flow Pressure Hot&Cold(Bar)	0.1-1.0	0.5-5.0
Hot Supply Temperature(°C)	55-65	55-65
Cold Supply Temperature(°C)	Equal to or less than 25	Equal to or less than 25

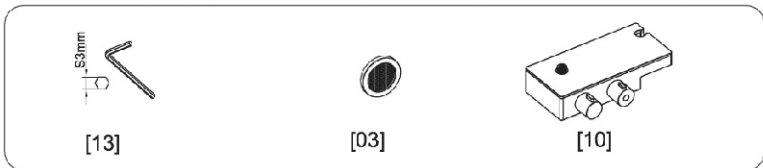
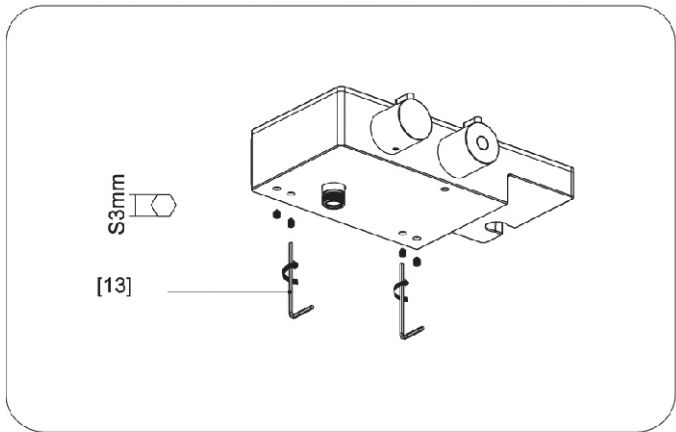
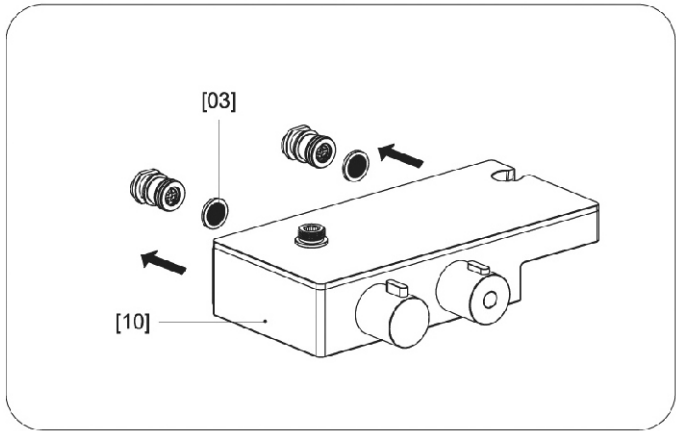
Installation

Step ①

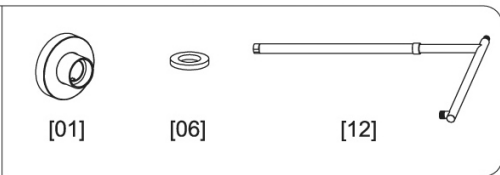
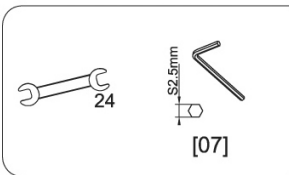
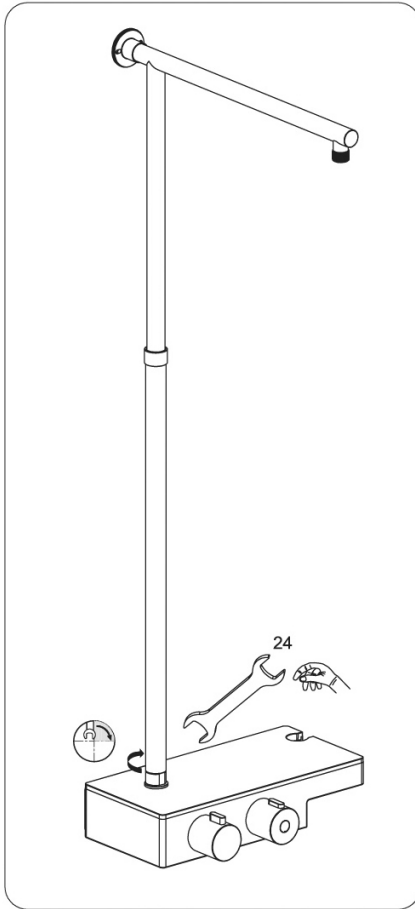
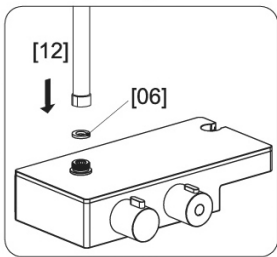
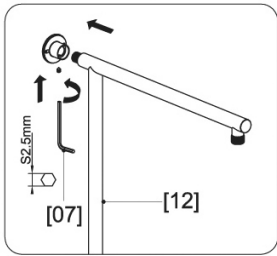
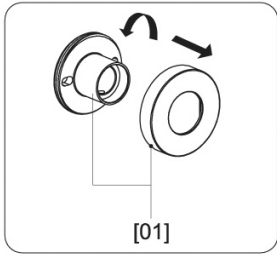


2

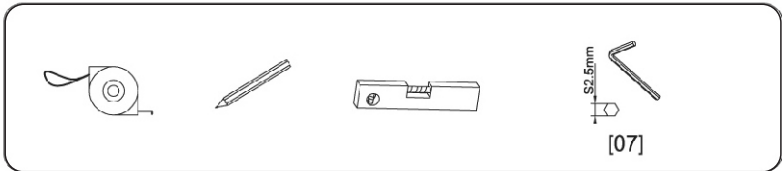
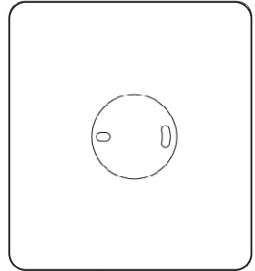
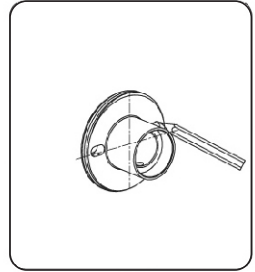
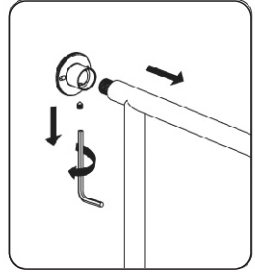
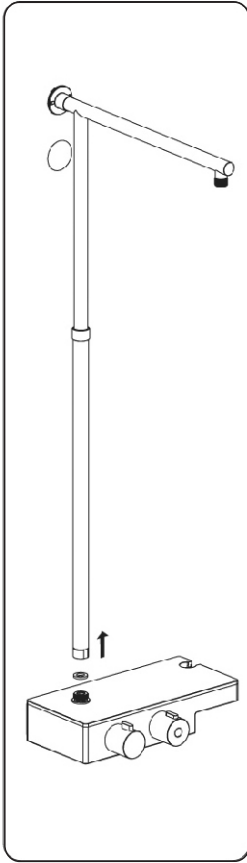
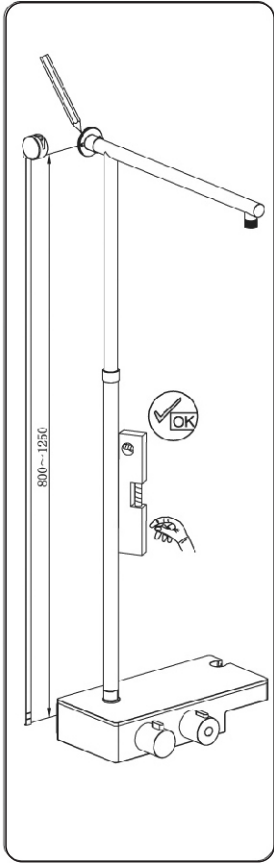
Pipework should be flushed through before attaching the mixer body to prevent debris from going into the mixer



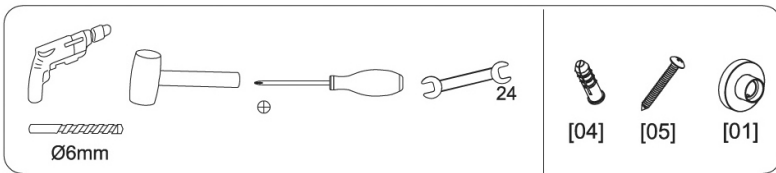
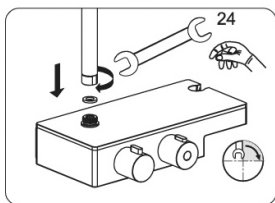
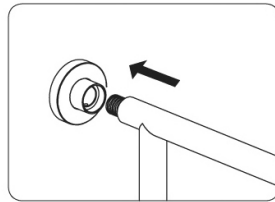
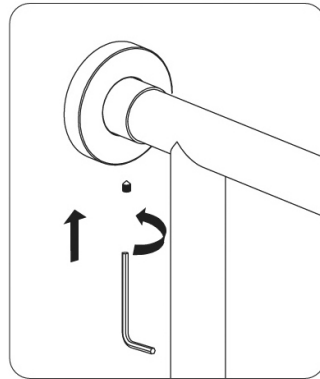
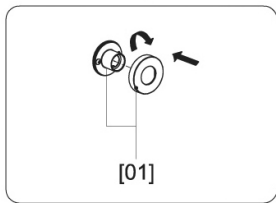
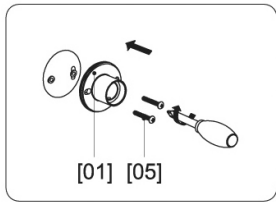
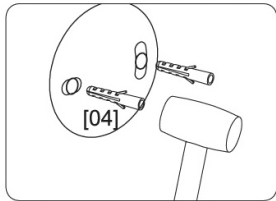
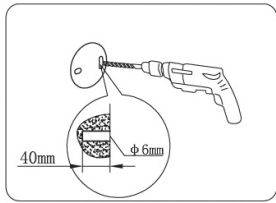
3

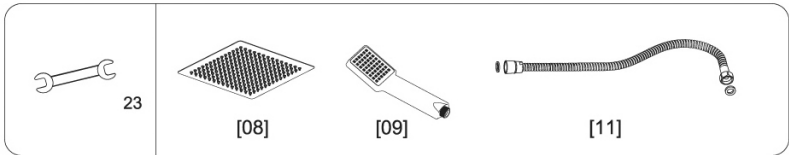
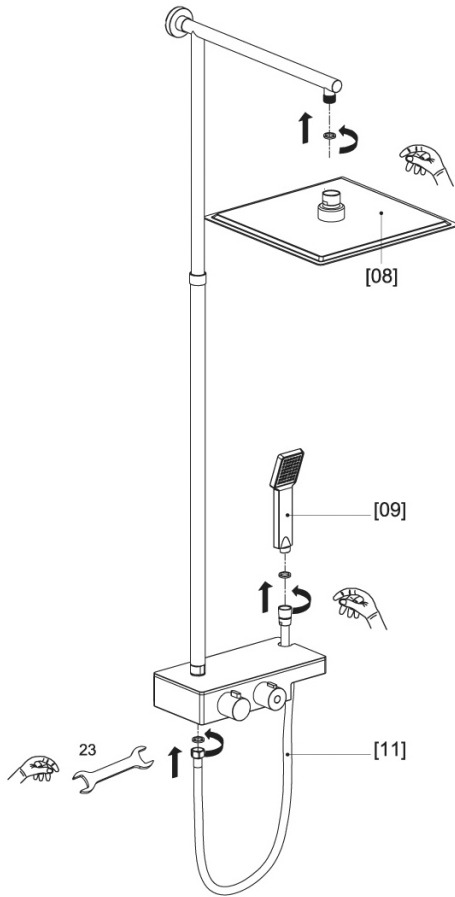


4

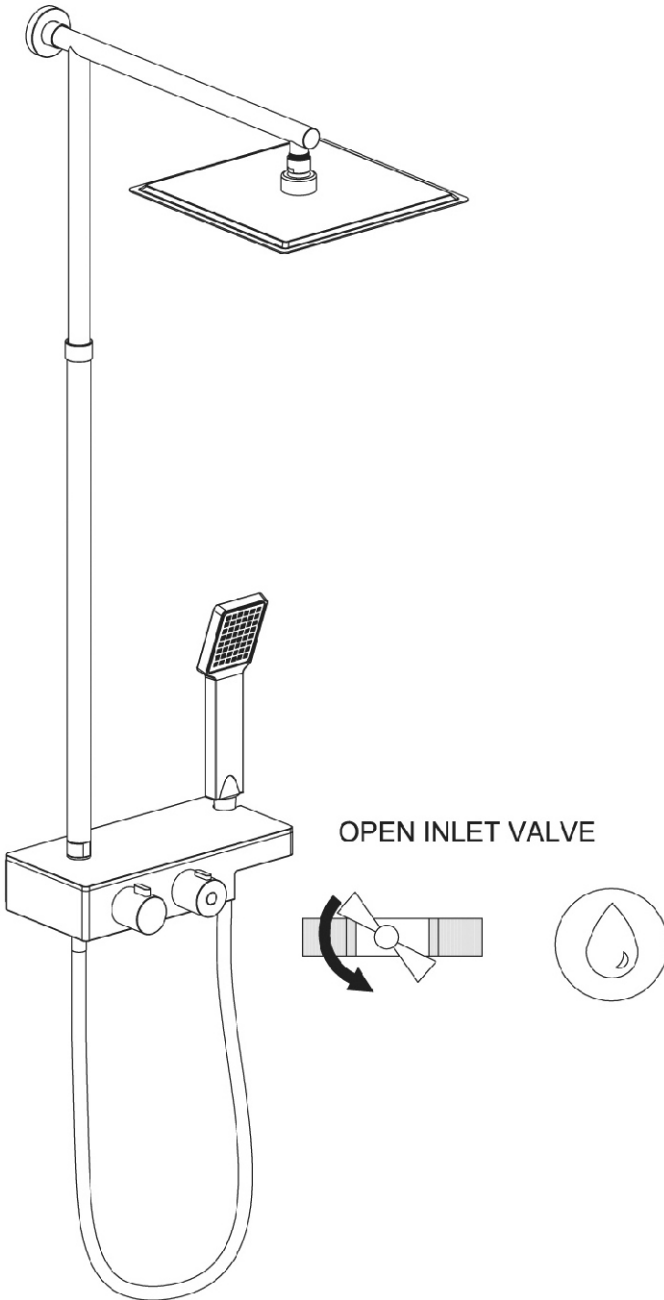


5



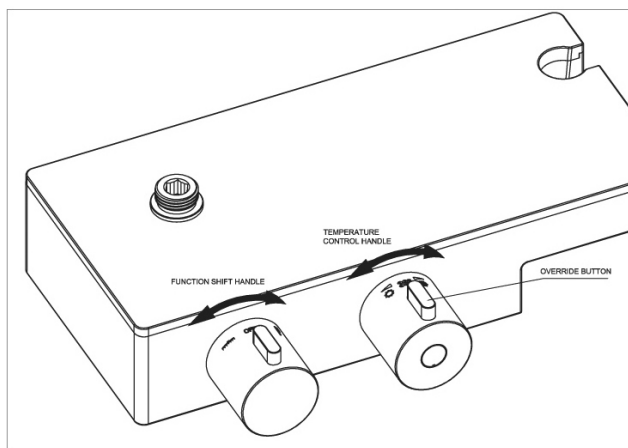


7



OPERATION

Turn the Function shift handle to turn on top head shower or handle shower and to increase/decrease the flow of water. Turn the Temperature control handle to increase/decrease the temperature. Push down on the Override button and turn the handle towards you to override the set temperature.



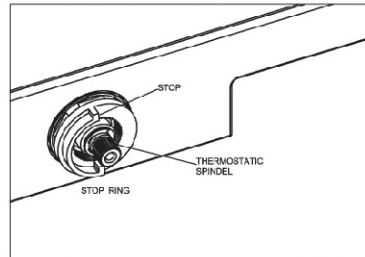
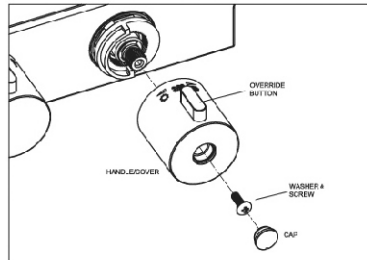
TEMPERATURE SETTING

Removing the handle - pull off the cap and remove the washer & screw, pull off the handle/cover.

Rotate the exposed thermostatic spindle (clockwise for cold, and anti-clockwise for hot) until the maximum desired showering temperature is set (38°C - suggested maximum "pre-set" temperature).

Then line up the button on the top of the handle/cover with the stop on the stop ring itself. Push the handle/cover onto the splines, tighten the screw, refit the cap.

The thermostat is now set to its new temperature and can only be increased or decreased by repeating this process.



TROUBLE SHOOTING

SYMPTOM	SOLUTION
After installation the shower/bath runs HOT or COLD and will not mix.	Hot and cold supplies are plumbed the wrong way round.
Shower/bath will not run hot enough when first installed.	Maximum temperature needs adjusting, see 'temperature setting'.
Cold water tracking through the valve into the hot water system.	Check and clean the filters.
Very low flow or no flow (gravity).	Check hot and cold feeds (the valve will shut down if either the hot or cold supply fails).

This product should only be fitted by a qualified plumber to NVQ (National Vocational Qualification) or SNVQ (Scottish National Vocational Qualification) Level 3. Should the installation be completed by a non-qualified person then the guarantee may be considered invalid.

For a claim made under our warranty written certification of your installers credentials can be required. For further information or to find a qualified installer in your area please visit the Institute of Plumbers website - www.iphe.org.uk