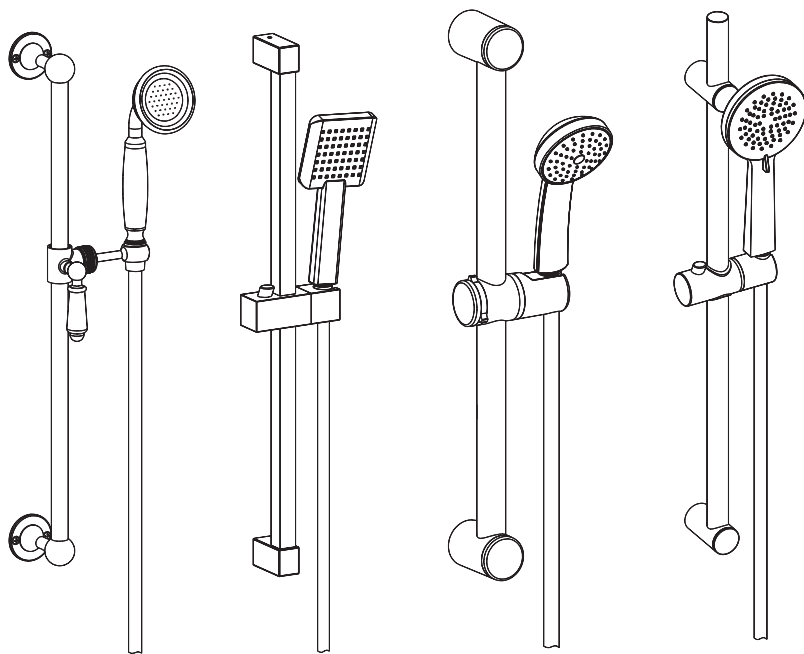


# Installation Manual



Apply for following models

**21082/21083/21084/21085**

Please keep this page for your online registration.

No. FISHTBX12V1.0

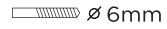


# TOOLS

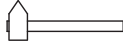
YOU MIGHT NEED



Electric Drill



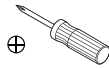
Drill Bit



Hammer



Pencil



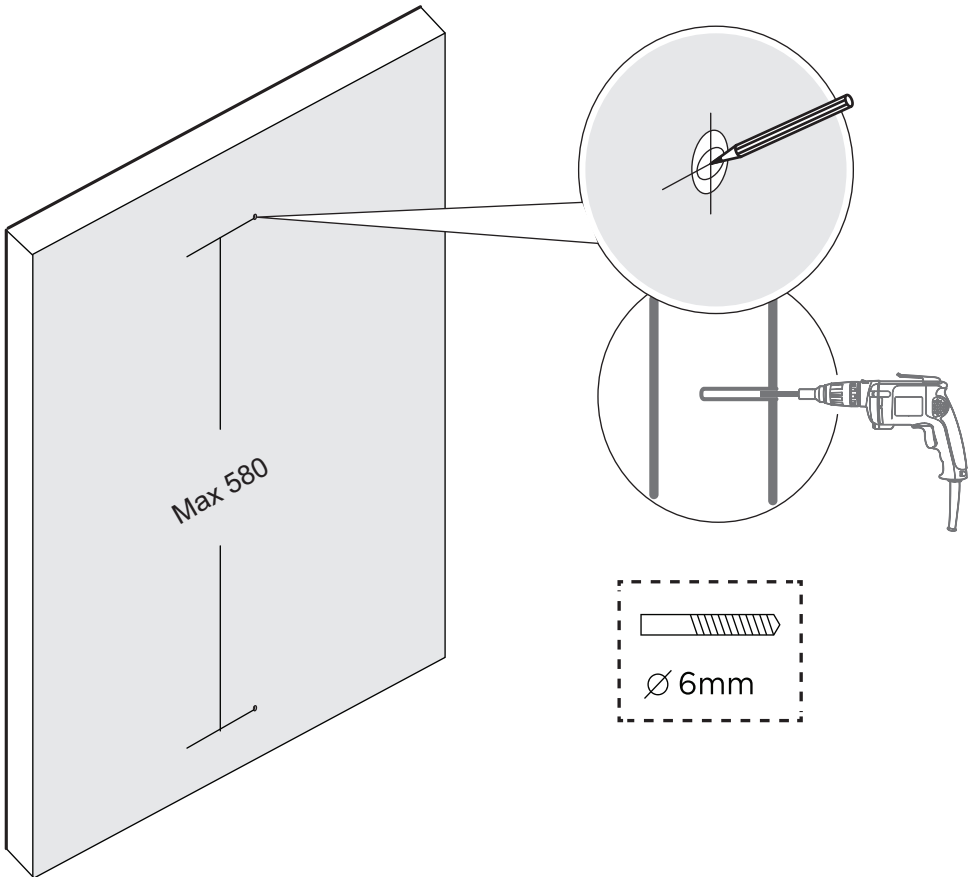
Cross Head  
Screwdriver



Spirit Level

# INSTALLATION PROCEDURE

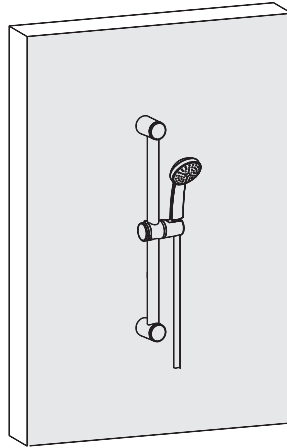
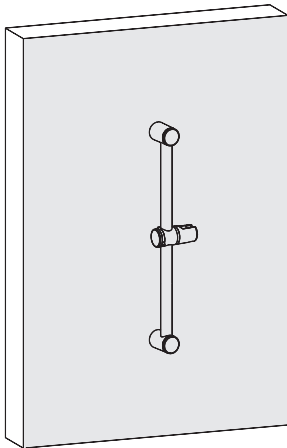
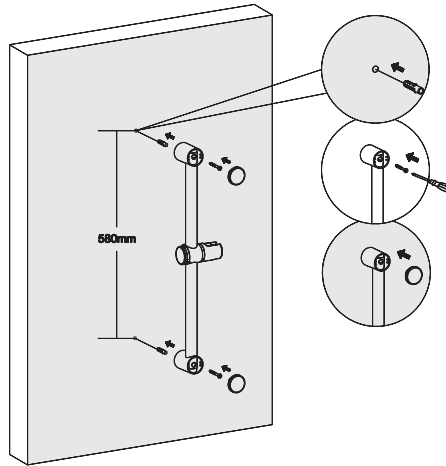
- 1 Mark up the two holes at 580mm (centre to centre). Once you have done this drill the two holes and place in the two wall plugs.



# INSTALLATION PROCEDURE

**2**

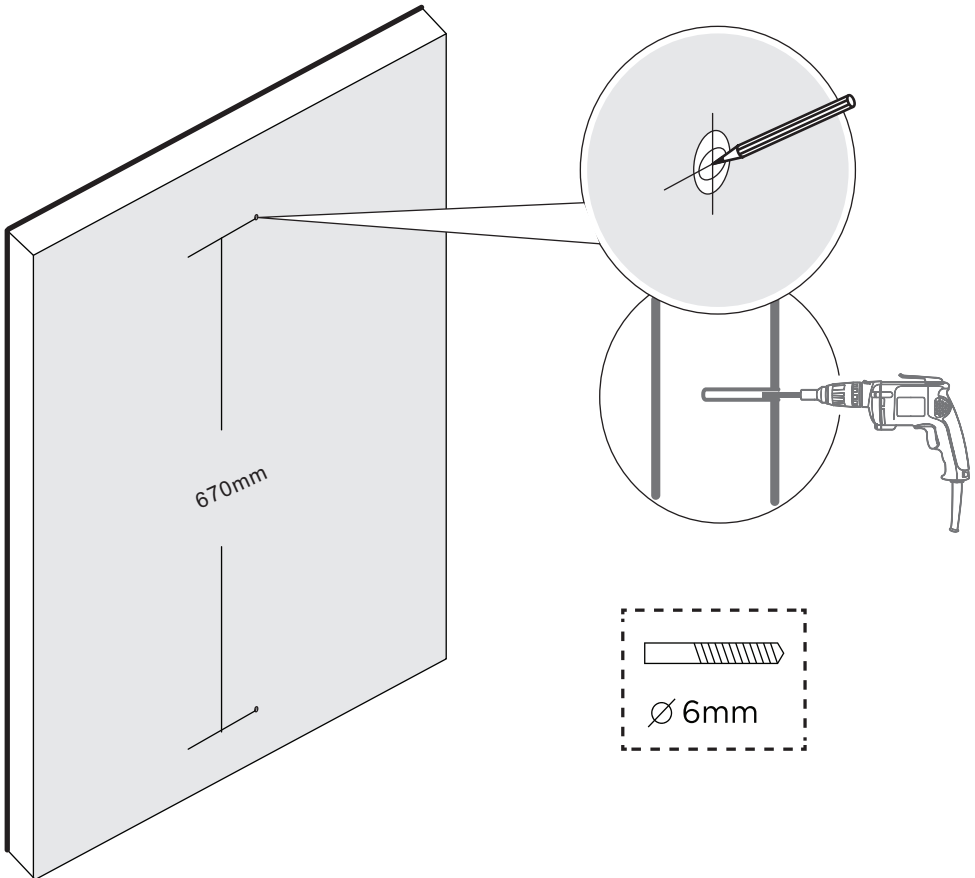
Remove the end caps. Fasten the up bracket on the wall with the screws provided. Once the bracket is fixed attach the rail. To do this put the rail into the hole of the down bracket, then go through the up bracket. Next, use the grub screws to lock the rail and bracket into the wall. Once tight and secure place the cover caps back onto the rail.



**21082**

# INSTALLATION PROCEDURE

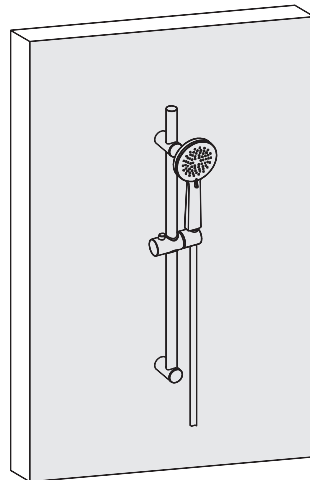
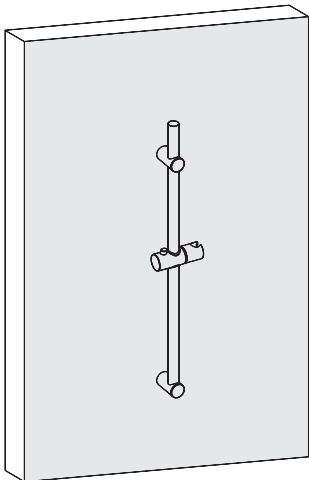
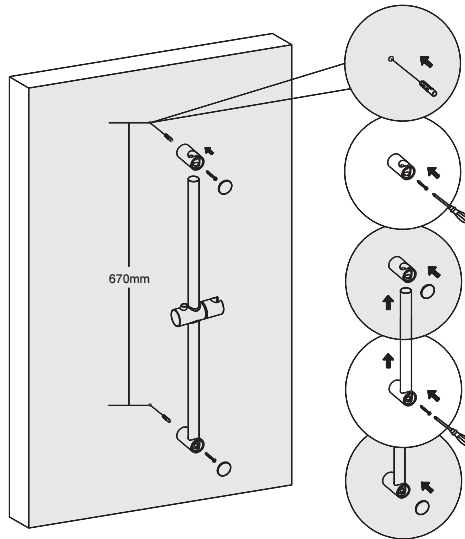
- 1 Mark up the two holes at 670mm (centre to centre). Once you have done this drill the two holes and place in the two wall plugs.



# INSTALLATION PROCEDURE

2

Remove the end caps. Fasten the up bracket on the wall with the screws provided. Once the bracket is fixed attach the rail. To do put rail into the hole of down bracket, then go through the up bracket. Next, use the grub screws to lock the rail and bracket into the wall. Once tight and secure place the cover caps back onto the rail.

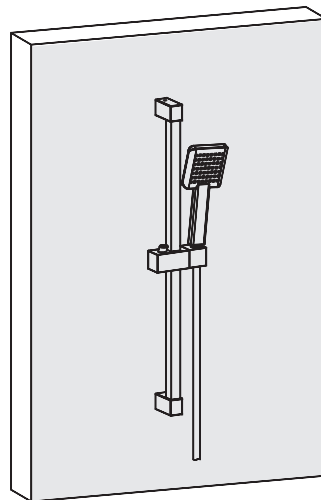
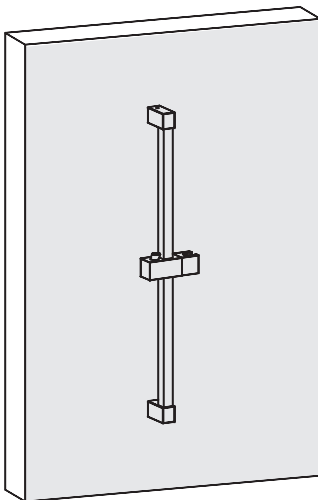
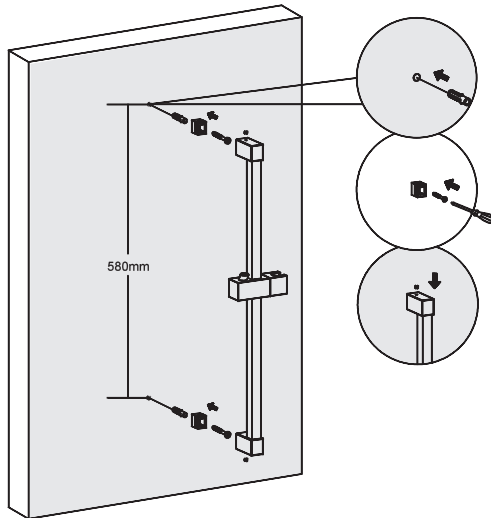


21083

# INSTALLATION PROCEDURE

1

Remove the end caps. Take out bracket. Mark up brackets's distance at 580 mm (centre to centre). Once you have done this drill two holes and place in the two wall plugs.

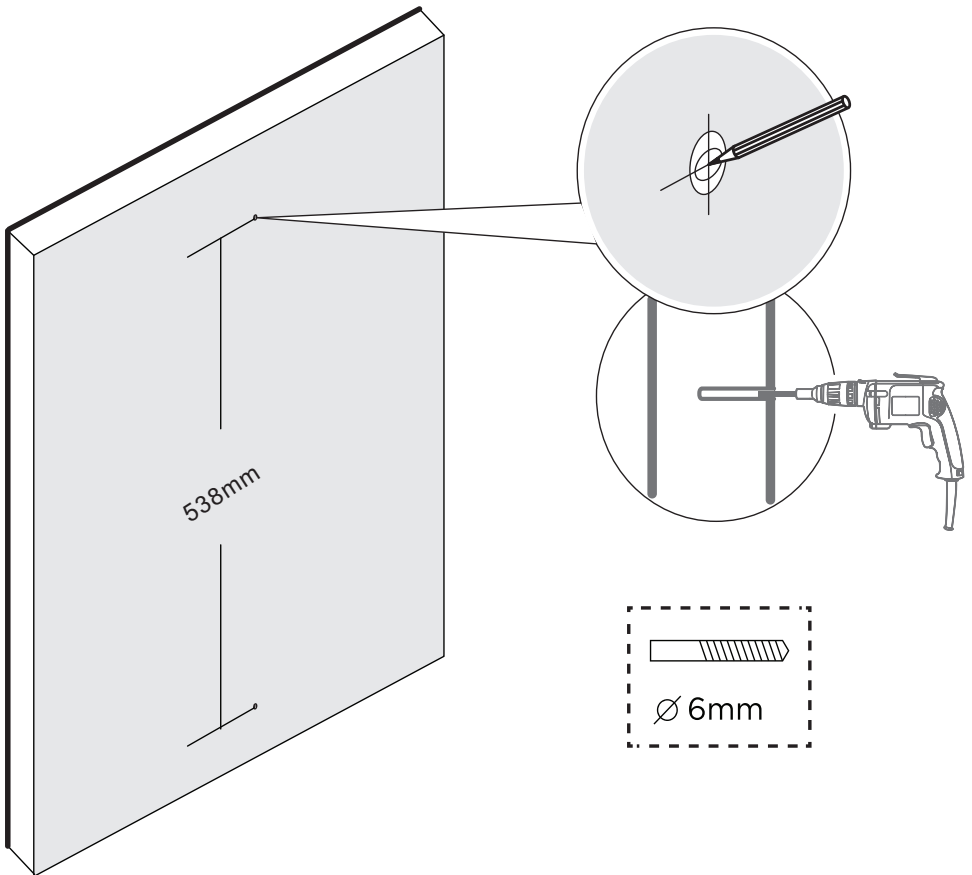


21084

# INSTALLATION PROCEDURE

1

Mark up the two holes at 538mm (centre to centre). Once you have done this drill the two holes and place in the two wall plugs.

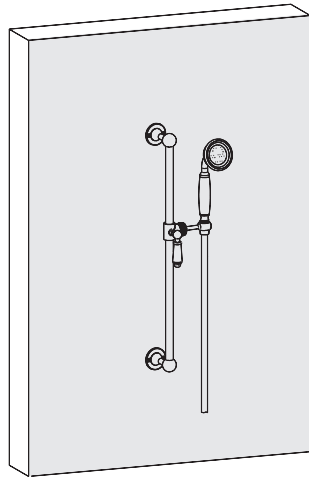
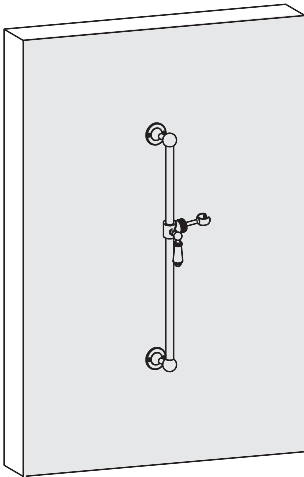
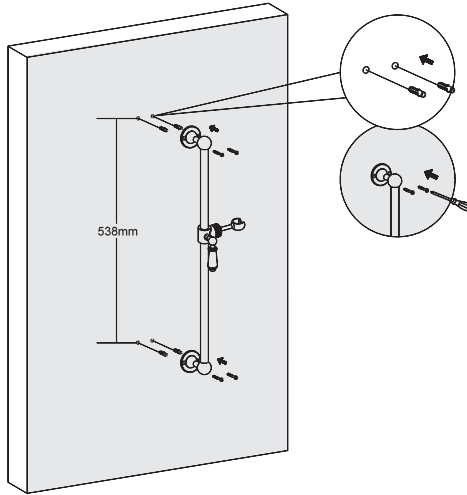




# INSTALLATION PROCEDURE

**2**

Fasten brackets on the wall with the screws provided. Once the bracket is fixed in tight and secure attach the rail. Next, lock the rail and bracket.



21085