




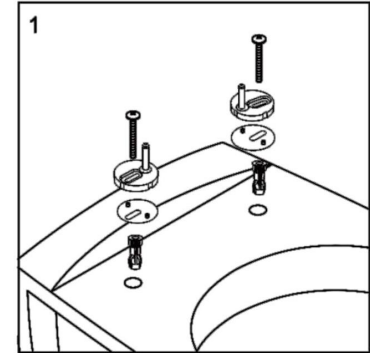
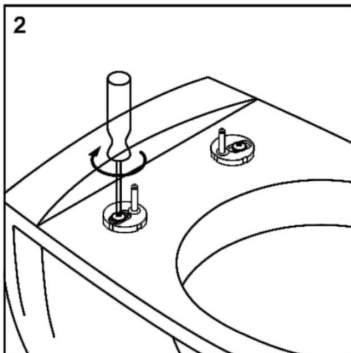


Soft Close Toilet Seat Installation Instructions

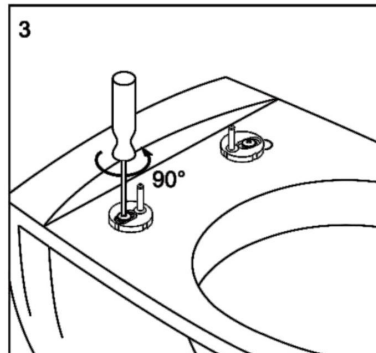
-  5 Cover
-  4 Screw
-  3 Pin
-  2 Washer
-  1 Spigot



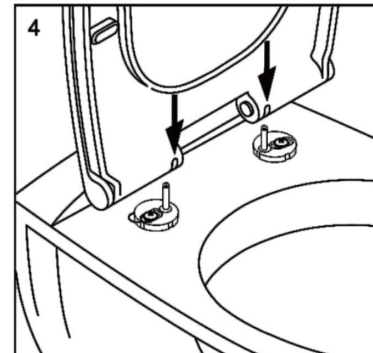
1 Insert the hinges into the toilet.



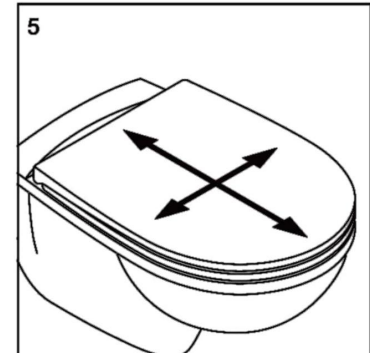
2 Tighten the screws in a clockwise direction (do not over tighten)



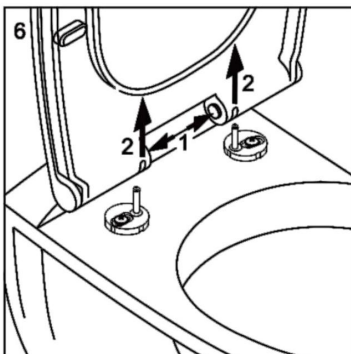
3 Untighten the screws a bit by turning them 90° in a anti-clockwise direction this will allow you to align the seat.



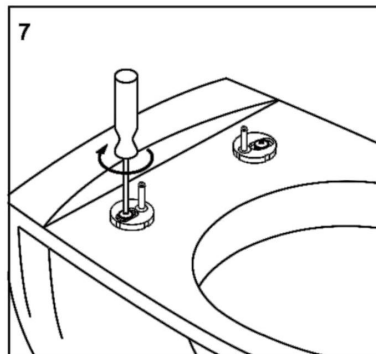
4 Clip on the toilet seat.



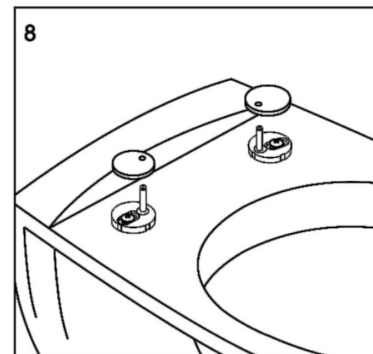
5 Align the toilet seat with ceramic bowl.



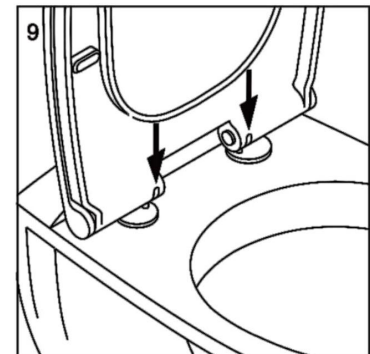
6 Take off the toilet seat by pressing both push buttons.



7 Tighten the screws in a clockwise direction



8 Place the cover over the hinges



9 Clip on the toilet seat and cover.