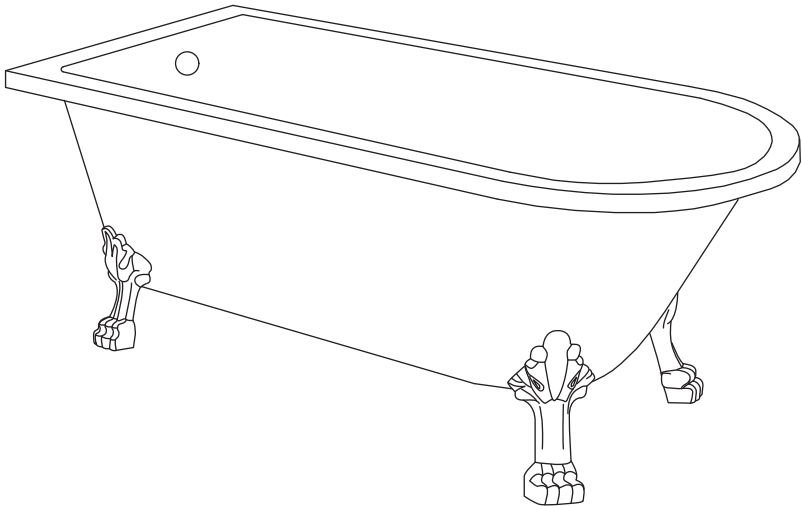


Installation Manual



Apply for traditional bathtub

Please keep this page for your online registration.

No.FIBABRB02V1.0



WARNING



CAUTION

- Risk of personal injury. Acrylic bath tubs are heavy. Obtain sufficient help to carefully lift or move the bath tub.
- Risk of property damage. Make sure that a watertight seal exists on all bath drain connections.

TOOLS

YOU MIGHT NEED



Adjustable Wrench

IMPORTANT

IMPORTANT:All installations must comply with council and local authority by-laws. It is the responsibility of the installer to ensure that the waste is made watertight by means of silicone sealant or caulking compound.

NOTE: Bath can be installed after the wall is completed. Bath drain supplies should be arranged preliminarily according to the selected bath.

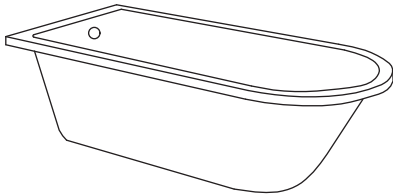
BEFORE INSTALLATION

- Before installation check that all fittings have been supplied.
- Assembled bath on a mat to protect against damage to bath surface.
- This product requires a two person lift-use proper lifting techniques.
- This installation guide recommends a bath waste be fitted to the bath prior to installation - if any doubt about installation and waste connection
- please consult a qualified tradesmen
- Follow each step in turn.

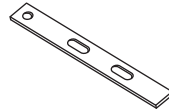


CAUTION

Please check you have all of these items in the box.



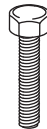
Body



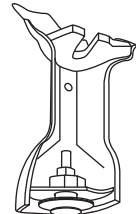
Bracket x4



Washer x4



Nail x4

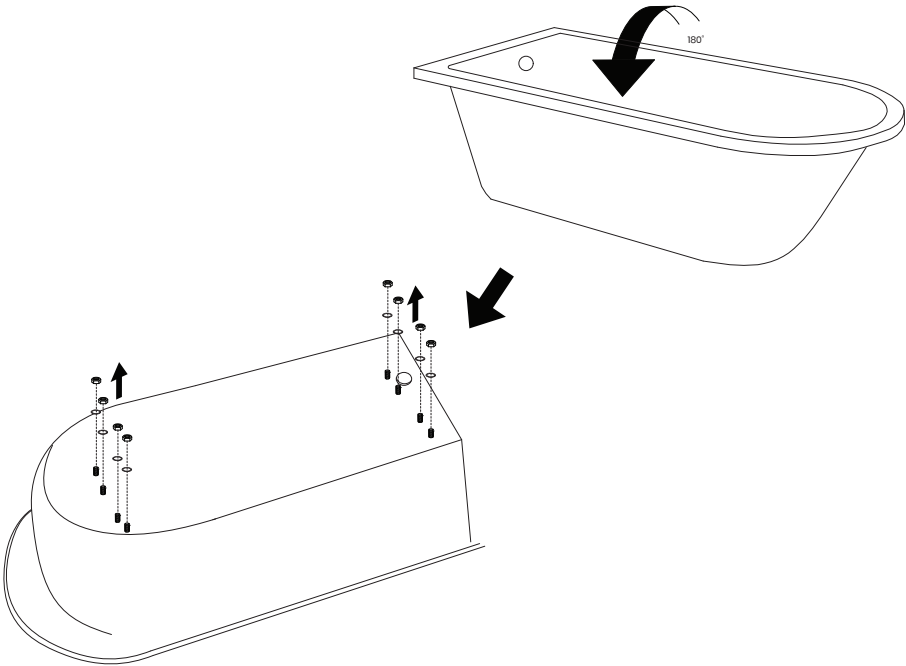


foot x4

INSTALLATION PROCEDURE

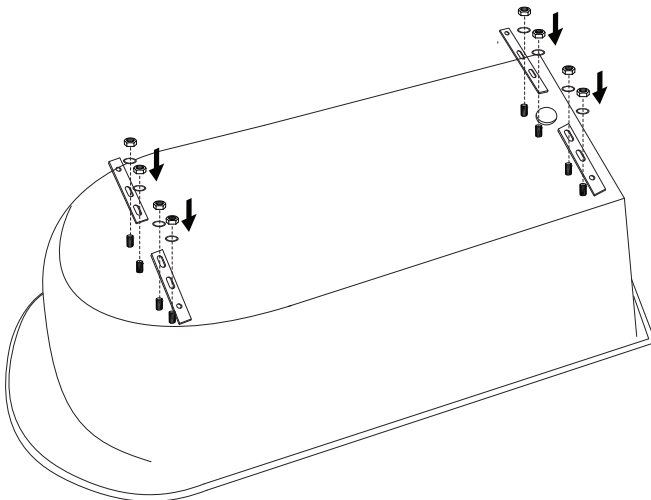
1

Turn the bath upside down and remove the nuts & washers.



2

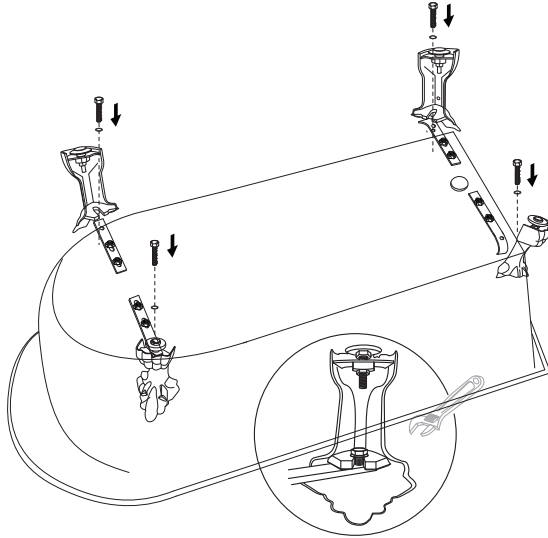
Attach the brackets to the base of the bath and secure with nuts and washers supplied with bath.



INSTALLATION PROCEDURE

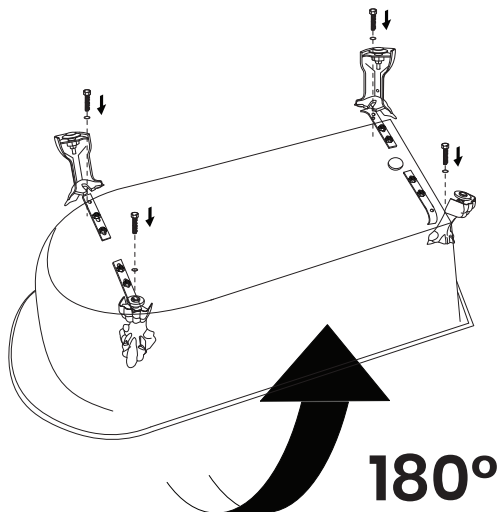
3

Align the feet with the location holes in the fixing brackets and secure with the screws and washers supplied with the feet.



4

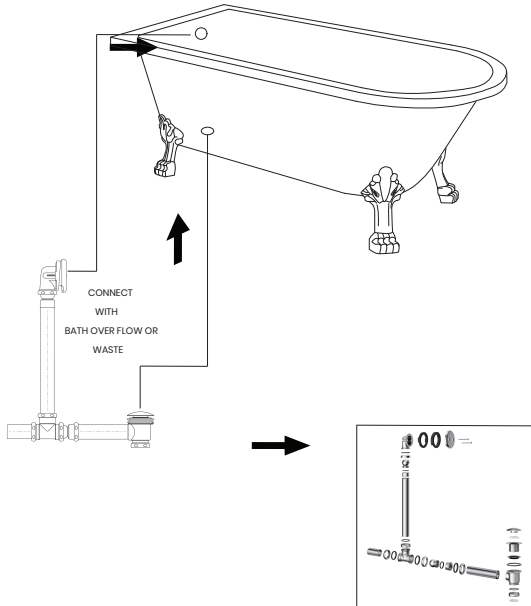
Turn the bath over and level using the feet adjusters.



INSTALLATION PROCEDURE

5

Connect the waste and overflow to the bath and then attach to the household pipework.



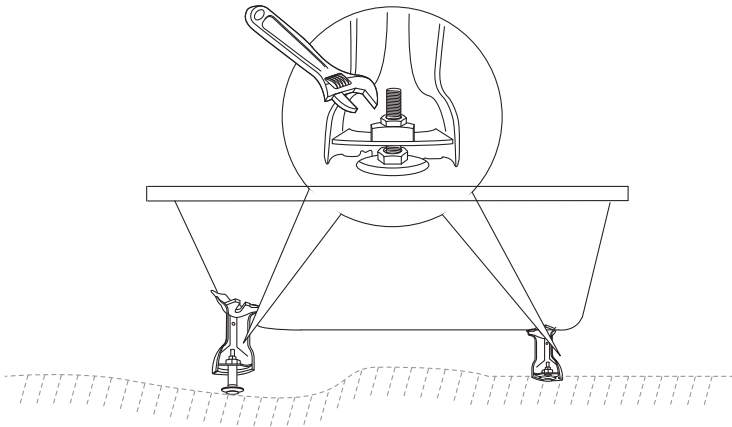
CAUTION

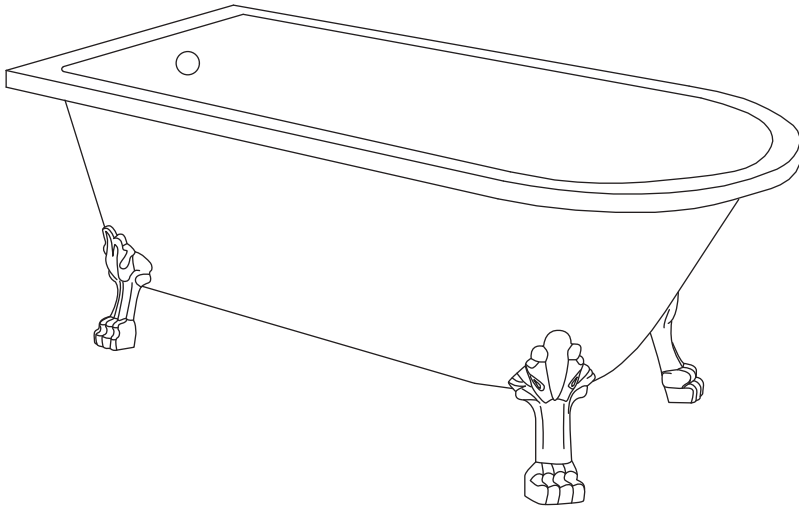
Apply a good amount of silicon to the base of the feet to prevent the bath from moving.



CAUTION

Look the feet into place using a spanner.





AFTER INSTALLATION

Allow any silicon used around the bath & waste fitting to dry for 24 hours before running water to check for leaks.

CARE & CLEANING

- Use a soft cloth or sponge for cleaning. Do not use any scouring pads like pot cleaners etc. as this will dull the surface
- Use mild soap and water for everyday use.
- Do not use any abrasive cleaning materials.
- Do not use any disinfectants, aerosol cleaners, ammonia concentrates etc.
- Every few months give your bath a light polish with LIBRA acrylic polish to restore the original sheen.