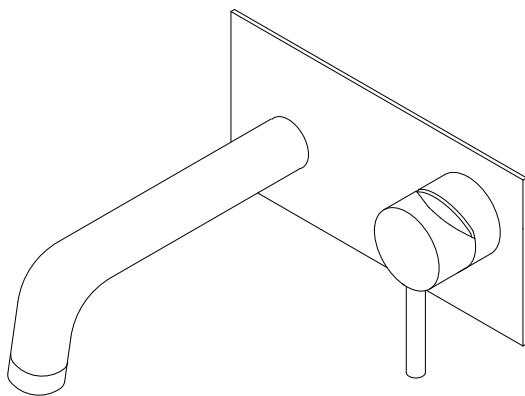


Installation Manual



Please keep this page for your online registration.

FIBTTBL05V1.0



WARNING

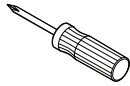


CAUTION

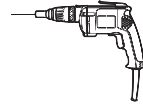
Flush all pipe work through before connecting the tap, debris in the pipe work can block the cartridge and lead to damage.

TOOLS

YOU MIGHT NEED



Screwdriver



Electric Drill



Adjustable Wrench



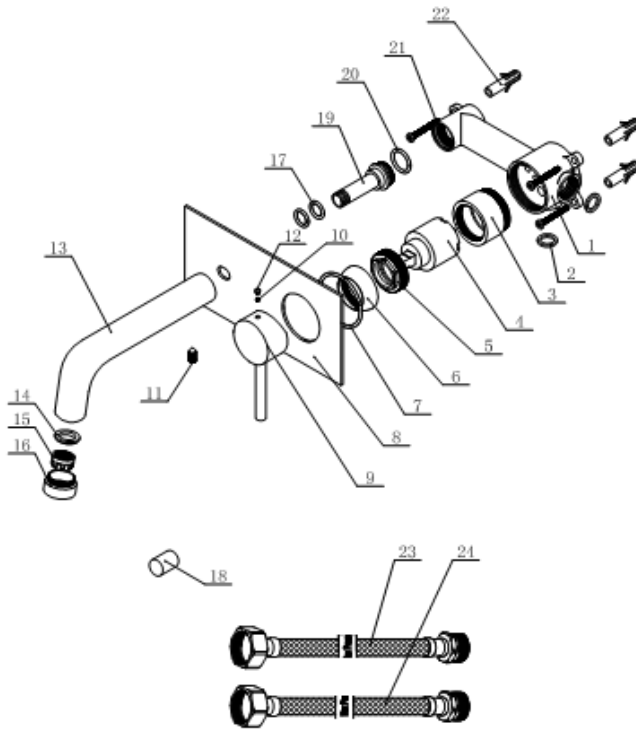
Hexagon wrench



CAUTION

Please check you have all of these items in the box.

 Body X1	 Spout X1	 Face Plate X1	 Handle X1
	 Wall Plate X3	 Cover Cap X3	 Flexi Tail X2
	 Screw X3	 Grub Screw X3	



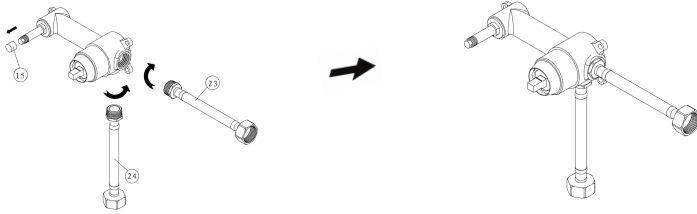
PART LIST

1	BODY	13	HOUSE
2	WASHER	14	WASHER
3	CARTRIDGE HOUSE	15	AERATOR
4	CARTRIDGE	16	HOUSE
5	PRESSING CAP	17	O RING
6	PRESSING CAP COVER	18	PLASTIC SLEEVE
7	O RING	19	CONNECTOR
8	PLATE BASE	20	O RING
9	HANDLE	21	BOLT
10	BOLT	22	PLASTIC SLEEVE
11	BOLT	23	TAILS
12	COVER CAP	24	TAILS

INSTALLATION PROCEDURE

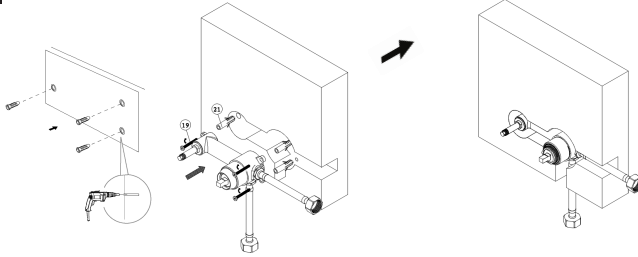
1

Remove the tap body from the box and attach the flexible tails-apply some PTFE tape to the threads.



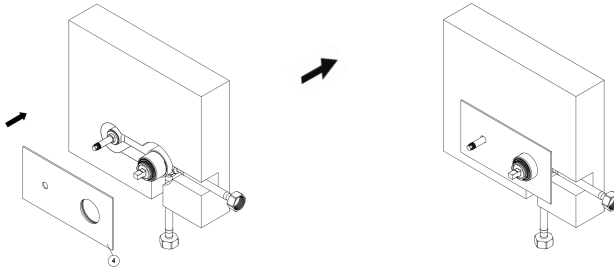
2

Position the body in the desired location and affix to the wall using the 3 wall plugs and screws



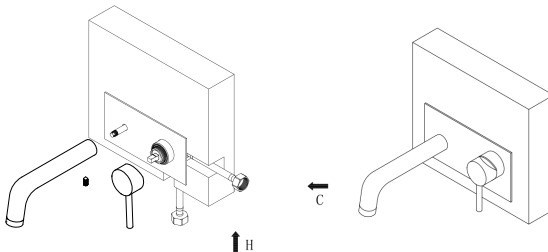
3

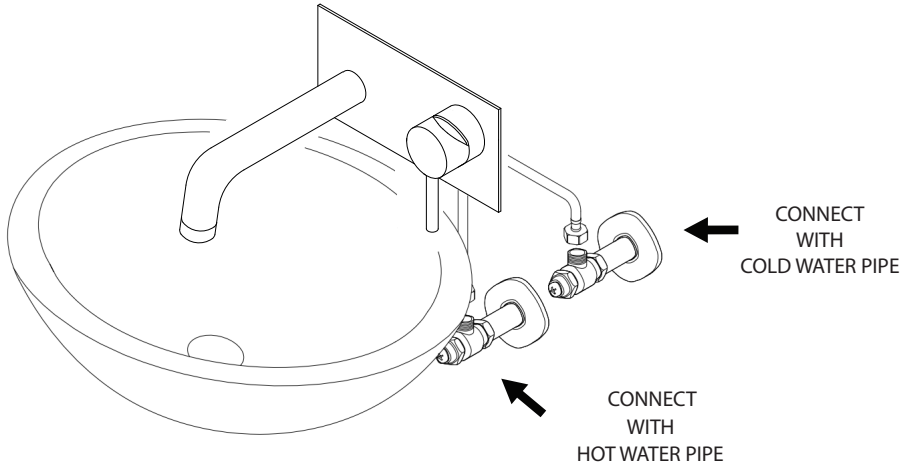
Slide the two cover plates over the handle and spout connections.



4

Push the spout onto the connection and tighten from underneath with the grub screw.





AFTER INSTALLATION

Ensure that all connections are tight. Ensure that the handle is in the off position. Turn on the drain and main water supply, and check for leaks. Repair as needed.

CARE & CLEANING

Your new tap is designed for years of trouble-free performance. Keep it looking new by cleaning it periodically with mild soap, rinse thoroughly with warm water and dry with a clean, soft cloth. Do not use abrasive cleaners, steel wool or harsh chemicals, as these will dull the finish. Failure to follow these instructions may void your warranty.

TROUBLE SHOOTING

If you've followed the instructions carefully and your tap still does not work properly, take these corrective steps.

Problem	Possible Cause	Solution
Insufficient water	- Aerator clogged	- Clean aerator, replace if necessary
Mixer stiff	- Cartridge defective	- Replace cartridge
Mixer dripping	- Cartridge defective	- Replace cartridge
Water leaks below handle	- Cartridge defective	- Replace cartridge
	- O-ring/rings defective	- Replace O-ring/rings
Water leaks at the connection	- Loose connection	- Tighten connection