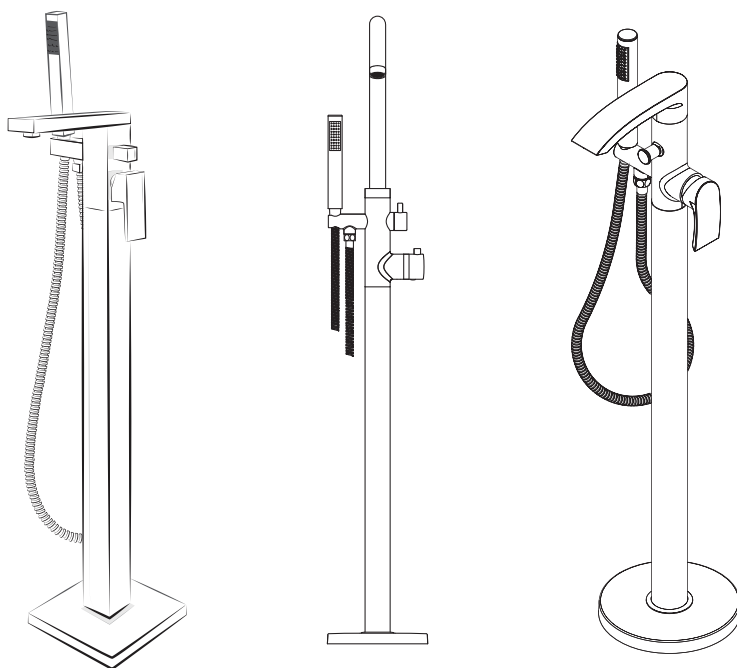


Installation Manual



Apply for following models

12081/12082

Please keep this page for your online registration.

No. FIBTBX04V1.0



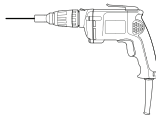
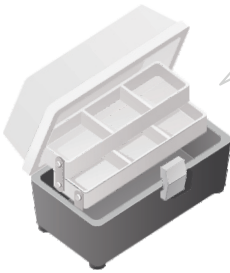
WARNING



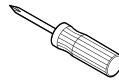
CAUTION

If using solder for the installation of the tap; the tap seats, cartridges and washers will have to be removed before heating. Otherwise, the warranty will be voided on these parts.

TOOLS YOU MIGHT NEED



Electric Drill



Screwdriver



Adjustable
Wrench

TECHNICAL DATA

Recommended water pressure: 7.25 - 43.5 psi

Max. Water pressure: 116 psi

Recommended hot water temp: 99.14 - 135.32 °F

Max. Hot water temp: 164.84 °F

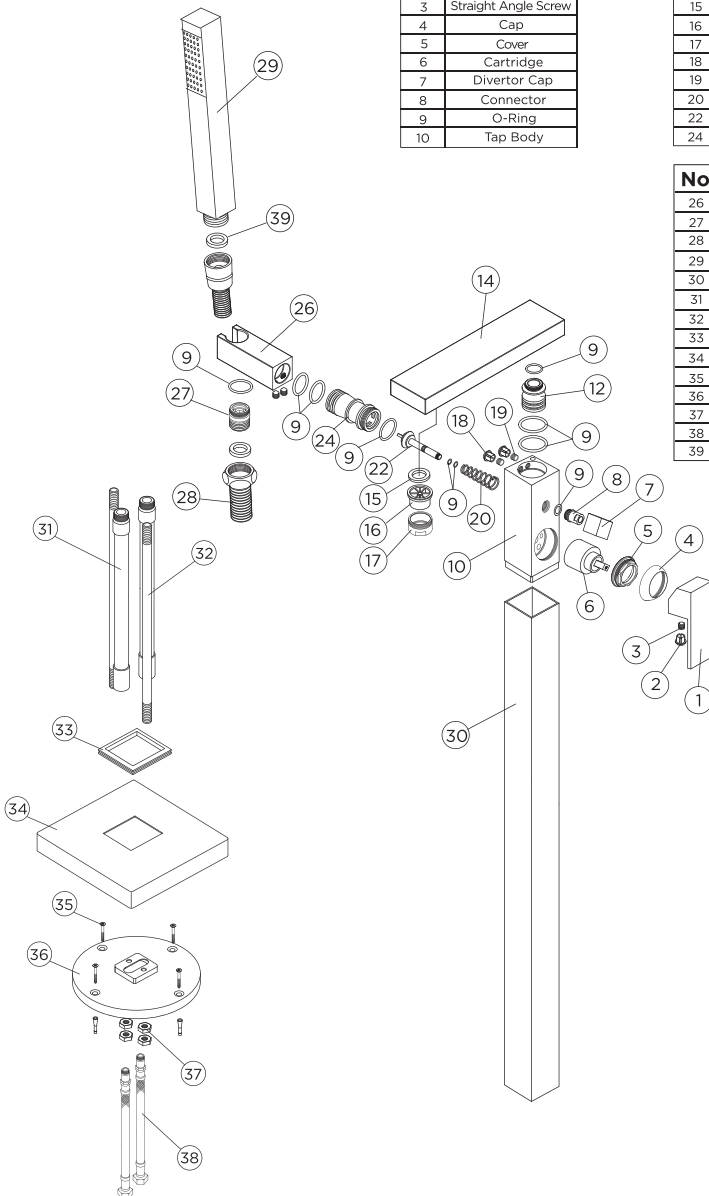
Please know and follow all applicable local plumbing codes when setting the temperature on the water heater.

PARTS LIST

No.	Name
1	Handle
2	Plastic BadgeCap
3	Straight Angle Screw
4	Cap
5	Cover
6	Cartridge
7	Divertor Cap
8	Connector
9	O-Ring
10	Tap Body

No.	Name
12	Water Inlet Connector
14	Spout
15	Washer
16	Aerator
17	Aerator Nozzle
18	Plastic Covers
19	Screw
20	Spring
22	Divertor
24	Water Outlet Connector

No.	Name
26	Holder
27	Hose Connector
28	Flexible Hose
29	Shower Head
30	Tap Stand
31	Copper Tube
32	Threaded Bar
33	Rubber Washer
34	Base Cover
35	screw
36	Base
37	Fixing Nut
38	Flexible Tails
39	Rubber Washer

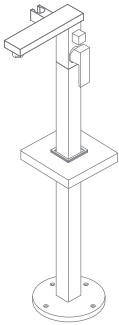


BEFORE INSTALLATION

- ⌘ Observe all local plumbing codes.
- ⌘ Make sure water supply is turned off.
- ⌘ Read these instructions carefully to ensure proper installation.
- ⌘ Cover your drain to avoid losing parts.
- ⌘ Check to make sure you have the following parts indicated below.



Please check you have all of these items in the box.



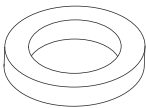
Body
X1



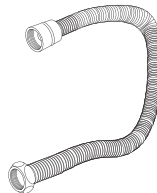
Shower Head
X1



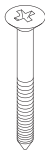
Flexible
Tails
X2



Washer
X2



Shower
Hose
X1



Screw
X4



Masonry Plug
X4

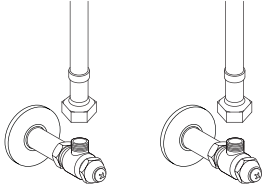
INSTALLATION PROCEDURE

1

Fit the flexible tail hoses to the bath mixer body, making sure that you do not over tighten.

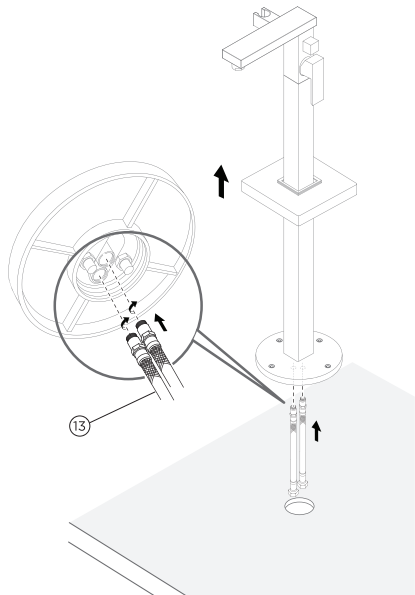


Before connecting to the mains any new pipework should be flushed through to remove any debris that may clog the cartridge in the tap.



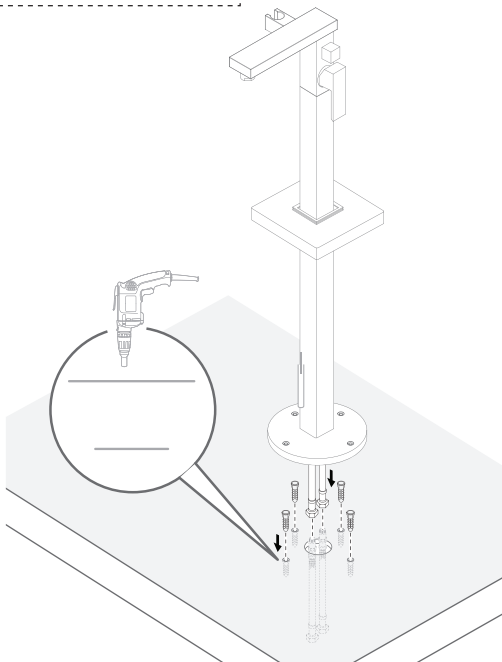
↑
CONNECT
WITH
HOT WATER PIPE

↑
CONNECT
WITH
COLD WATER PIPE



2

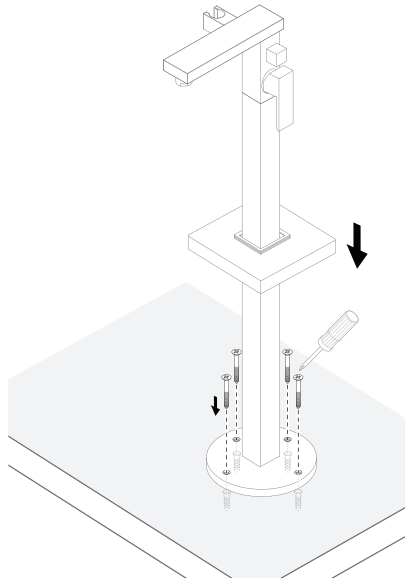
Drill four holes by electric drill and insert the masonry plug.



INSTALLATION PROCEDURE

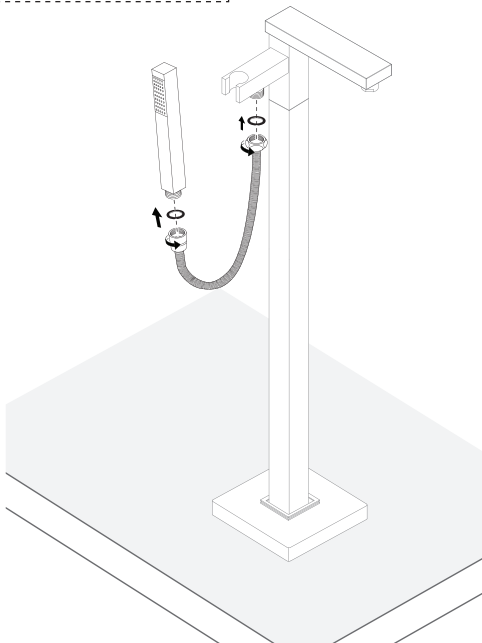
3

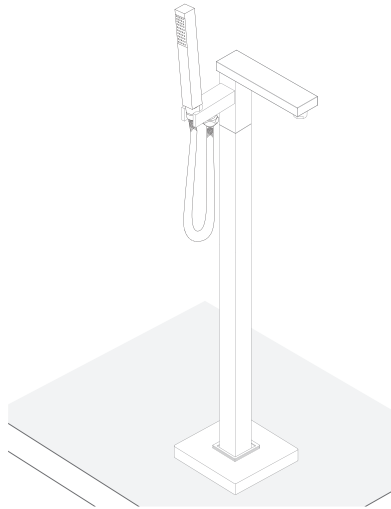
Take the fixing screws out of the bag, and use the screw driver to fit the screws into the correct holes and fix the base tightly.



4

Fit the flexible shower hose to the tap water outlet and the shower head using the washers supplied making sure the ends of the hose are connected the correct way as shown in the diagram.





AFTER INSTALLATION

Ensure that all connections are tight. Ensure that the handle is in the off position. Turn on the drain and main water supply, and check for leaks. Repair as needed.

CARE & CLEANING

Your new tap is designed for years of trouble-free performance. Keep it looking new by cleaning it periodically with mild soap, rinse thoroughly with warm water and dry with a clean, soft cloth. Do not use abrasive cleaners, steel wool or harsh chemicals, as these will dull the finish. Failure to follow these instructions may void your warranty.

TROUBLE SHOOTING

If you've followed the instructions carefully and your tap still does not work properly, take these corrective steps.

Problem	Possible Cause	Solution
Insufficient water	- Aerator clogged	- Clean aerator, replace if necessary
Mixer stiff	- Cartridge defective	- Replace cartridge
Mixer dripping	- Cartridge defective	- Replace cartridge
Water leaks below handle	- Cartridge defective	- Replace cartridge
	- O-ring/rings defective	- Replace O-ring/rings
Water leaks at the connections hose	- Connection hose defective	- Replace connection hose
	- O-ring at the connection hose defective	- Replace O-ring
	- Cartridge adapter defective	- Replace cartridge adapter
	- Cartridge adapter O-ring defective	- Replace O-ring