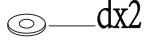
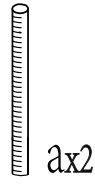
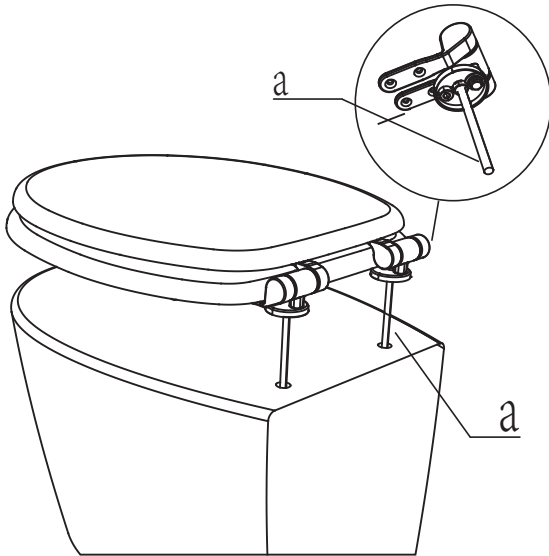


# Simple Assembly Instructions - Please keep for future reference

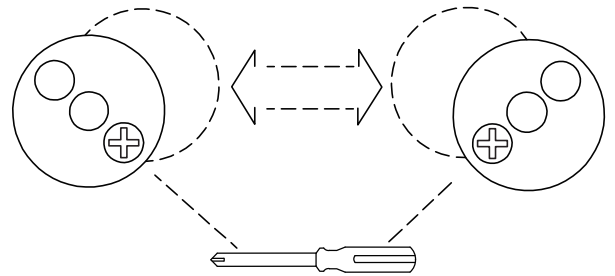
## COMPONENT FITTINGS



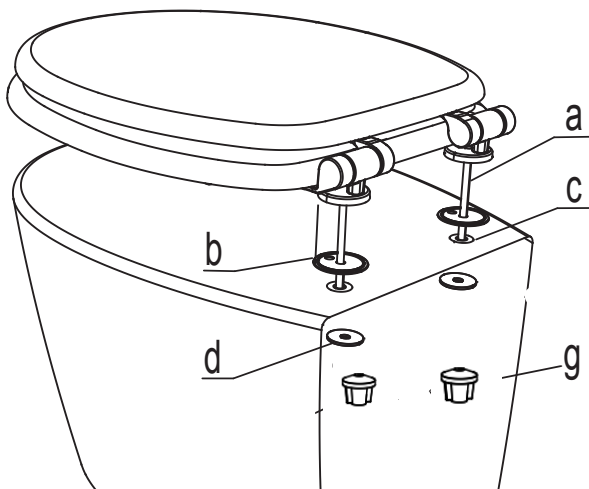
1.



2.



3.



4.

