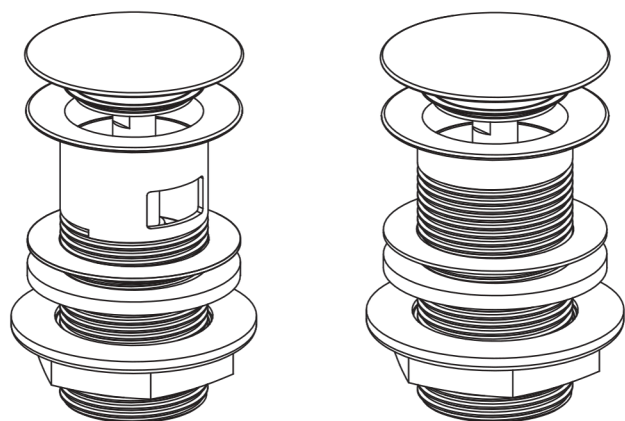
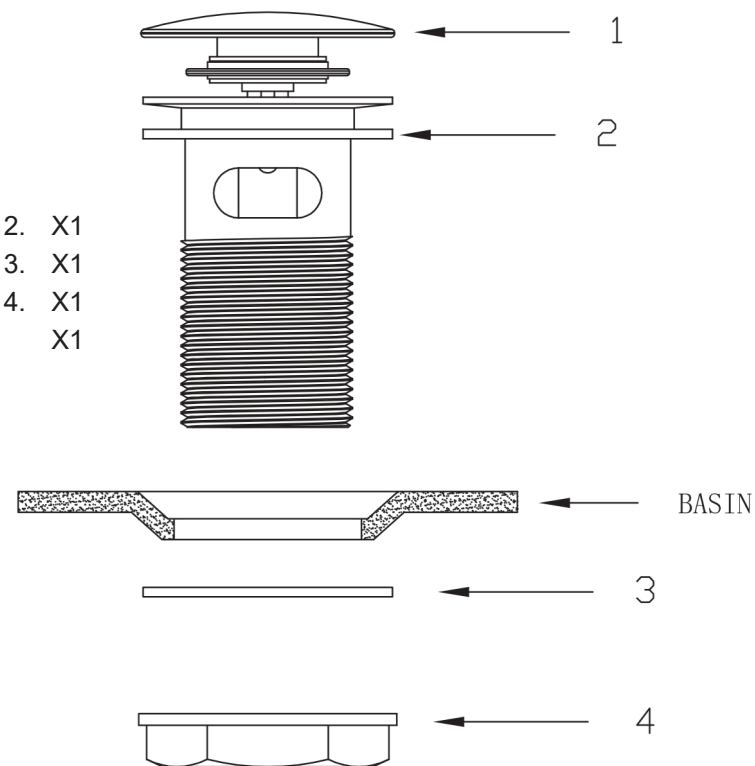


# Installation Manual



1. Identify all components are present prior to installation.
2. Put waste flange (1) and rubber washer (2) into the basin hole.
3. Install the rubber washer (3) and backnut (4), then tighten the backnut.
4. Check all joints and connections for leaks.If necessary, use the silicone sealant.

- |                |       |
|----------------|-------|
| 1. Wasteflange | 2. X1 |
| Rubberwasher   | 3. X1 |
| Rubberwasher   | 4. X1 |
| Backnut        | X1    |



Apply for following models  
64084/64085/64086/64087/64088  
64089/64090/64091/64092/64093  
64094/64095

Please keep this page for your online registration.

No. FIACB17V1.0

Product image for reference

## Aftercare:

The end user is required to regularly maintain and clean product using warm soapy water and a soft cloth for the product warranty to be valid.

Surfaces should be maintained using a clean damp cloth, no corrosive and abrasive agents or materials should be used or come into contact with the surface finish, as this will invalidate your product warranty.