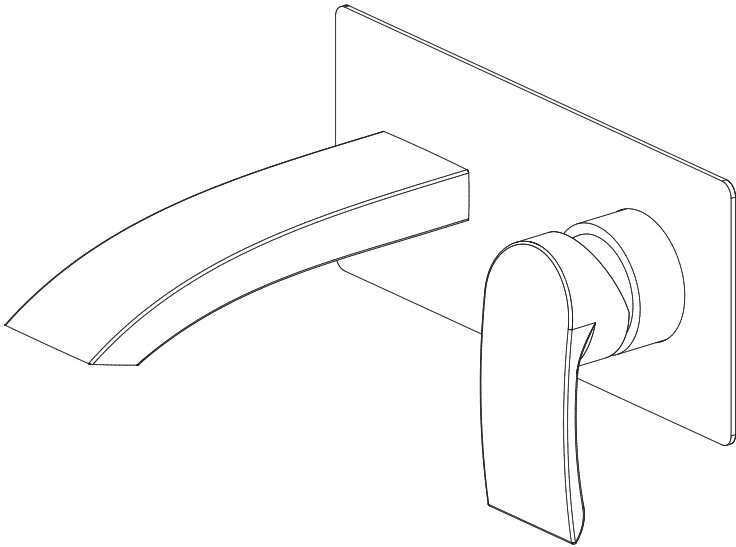


# Installation Manual



Apply for following models

**11075/11079/11113**

**11117**

Please keep this page for your online registration.

No. FIBTBX05V2.0



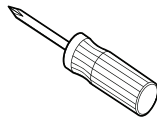
## WARNING



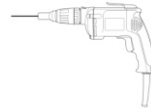
### CAUTION

If using solder for the installation of the tap; the tap seats, cartridges and washers will have to be removed before heating. Otherwise, the warranty will be voided on these parts.

## TOOLS YOU MIGHT NEED



Screwdriver



Electric Drill



Adjustable  
Wrench



Hexagon wrench

## TECHNICAL DATA

Recommended water pressure: 7.25 - 43.5 psi

Max. Water pressure: 116 psi

Recommended hot water temp: 99.14 - 135.32 °F

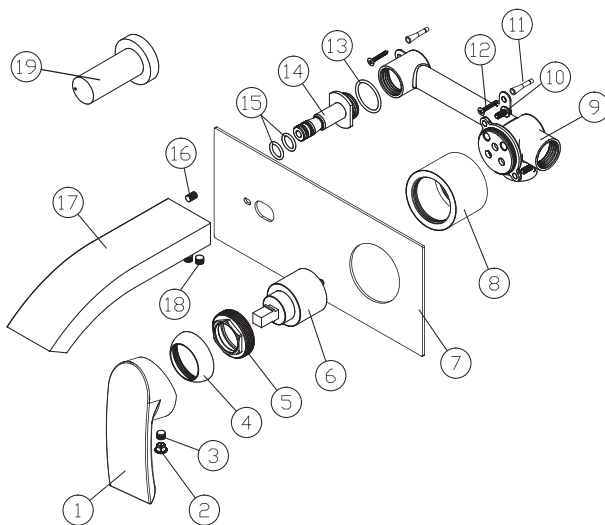
Max. Hot water temp: 164.84 °F

Please know and follow all applicable local plumbing codes when setting the temperature on the water heater.

## PARTS LIST

NO.	ITEM CODE	DESCRIPTION	QTY	MATERIAL
1	T9902-02	HANDLE	1	ZINC
2	T8805-30	CAP	1	ABS
3	TM5*6	FLAT SCREW	1	S. S.
4	T8702-16	CARTRIDGE SHROUD	1	ABS
5	T8602-09	CARTRIDGE NUT	1	BRASS
6	T7012-08	Ø35 WAXHAI FLAT-BASE CARTRIDGE	1	CERAMIC
7	T1112-24	FACE PLATE	1	S. S.
8	T1112-09	CARTRIDGE COVER	1	BRASS
9	T1112-01	TAP BODY	1	BRASS
10	TM4*9	CROSS SCREW	2	S. S.

NO.	ITEM CODE	DESCRIPTION	QTY	MATERIAL
11	S705-25A	WALL PLUGS	3	ABS
12	S705-25	SCREWS	3	S. S.
13	Ø22*2	"O" RING	1	RUBBER
14	T1112-12	OUTLET CONNECTOR	1	BRASS
15	Ø12*2	"O" RING	2	RUBBER
16	TM4*8	FLAT SCREW	1	S. S.
17	T8722-04	SPOUT	1	BRASS
18	TM5*5	POINTED SCREW	2	S. S.
19	T1112-23	PROTECTOR CAP	1	ABS

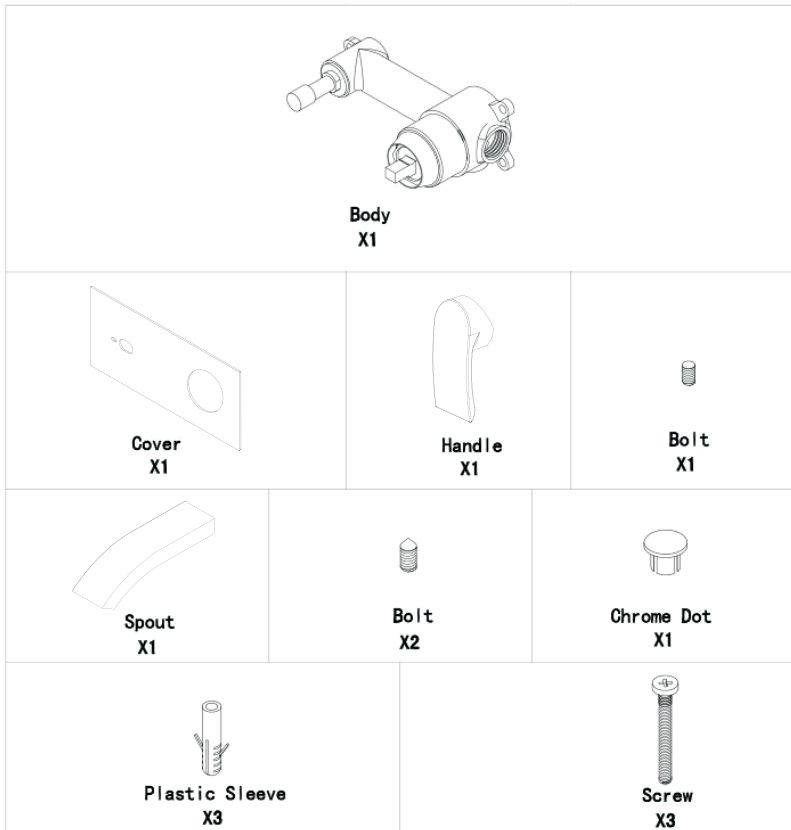


## BEFORE INSTALLATION

- ⌘ Observe all local plumbing codes.
- ⌘ Make sure water supply is turned off.
- ⌘ Read these instructions carefully to ensure proper installation.
- ⌘ Cover your drain to avoid losing parts.
- ⌘ Check to make sure you have the following parts indicated below.



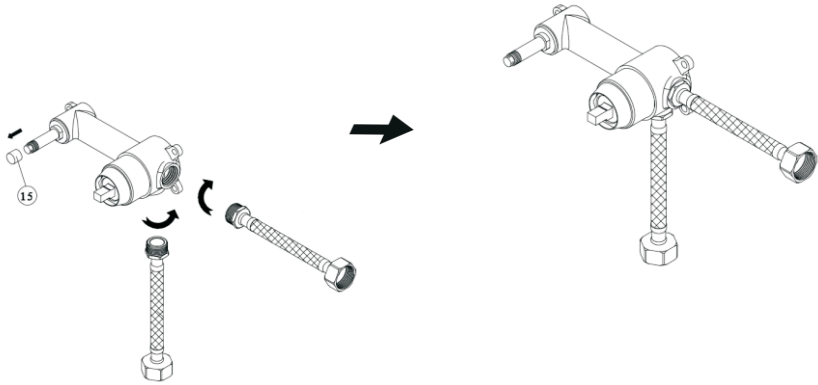
Please check you have all of these items in the box.



## INSTALLATION PROCEDURE

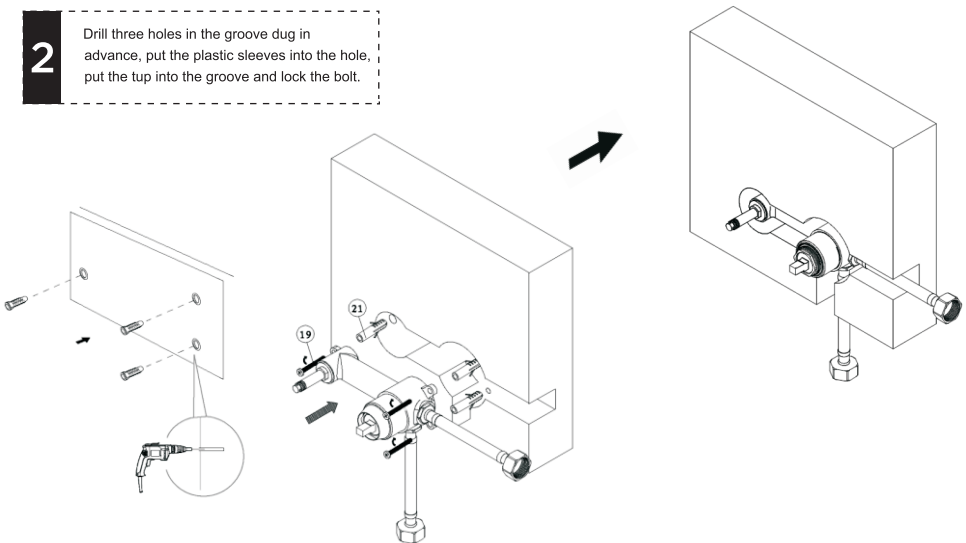
1

After getting out the tap , take the plastic sleeve out of the connector,then ,screw the two knitted hoses into the body.



2

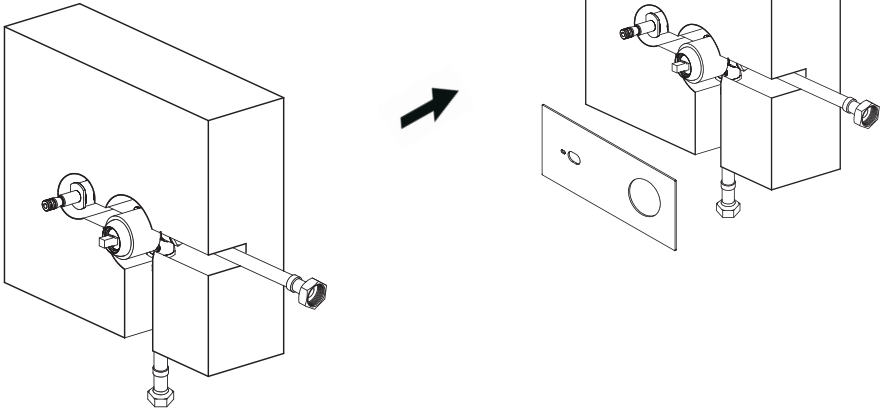
Drill three holes in the groove dug in advance, put the plastic sleeves into the hole, put the tap into the groove and lock the bolt.



## INSTALLATION PROCEDURE

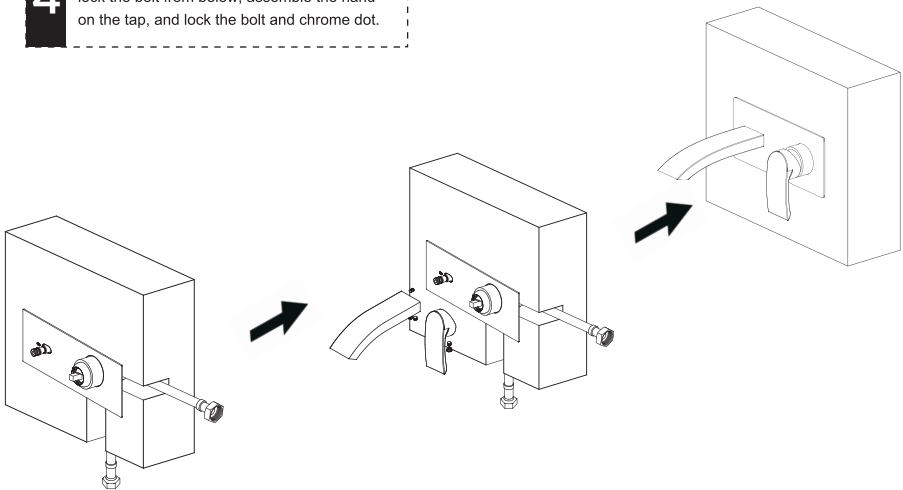
**3**

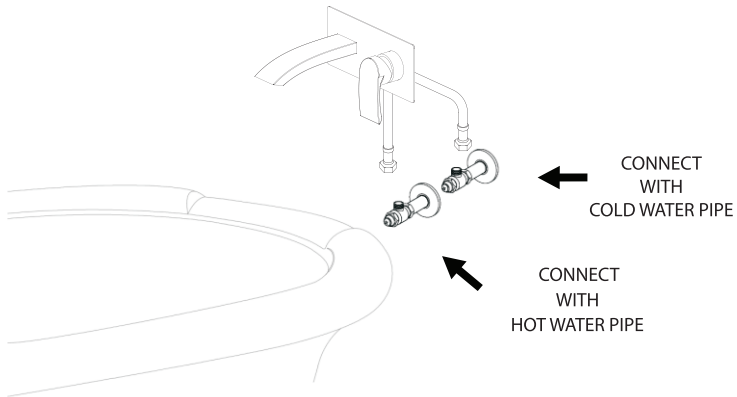
Set the cover on the tap and press hard.



**4**

Insert the spout into the connector of tap ,and lock the bolt from below, assemble the hand on the tap, and lock the bolt and chrome dot.





### AFTER INSTALLATION

Ensure that all connections are tight. Ensure that the handle is in the off position. Turn on the drain and main water supply, and check for leaks. Repair as needed.

### CARE & CLEANING

Your new tap is designed for years of trouble-free performance. Keep it looking new by cleaning it periodically with mild soap, rinse thoroughly with warm water and dry with a clean, soft cloth. Do not use abrasive cleaners, steel wool or harsh chemicals, as these will dull the finish. Failure to follow these instructions may void your warranty.

### TROUBLE SHOOTING

If you've followed the instructions carefully and your tap still does not work properly, take these corrective steps.

<b>Problem</b>	<b>Possible Cause</b>	<b>Solution</b>
Insufficient water	- Aerator clogged	- Clean aerator, replace if necessary
Mixer stiff	- Cartridge defective	- Replace cartridge
Mixer dripping	- Cartridge defective	- Replace cartridge
Water leaks below handle	- Cartridge defective	- Replace cartridge
	- O-ring/rings defective	- Replace O-ring/rings
Water leaks at the connection	- Loose connection	- Tighten connection